



# ELECTRIC FIREPLACES

[REGENCY-FIRE.COM](http://REGENCY-FIRE.COM)



# INTRODUCING REGENCY SKOPE

## ELECTRIC FIREPLACES

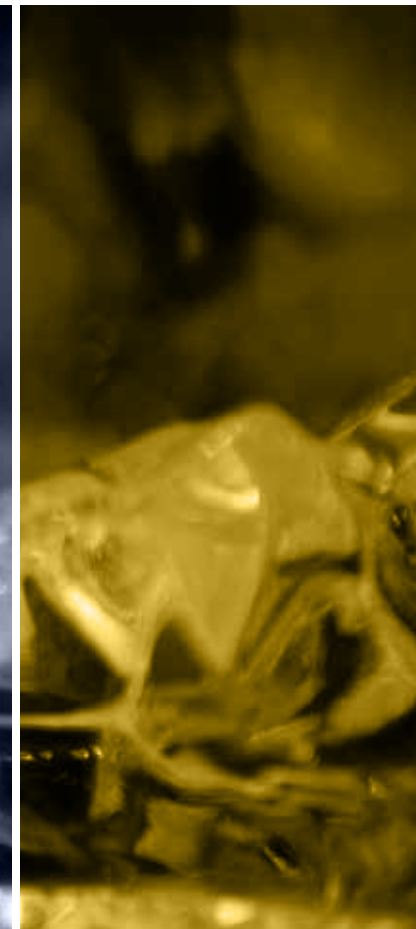
The Regency Skope modern electric fireplace heaters are a class above the rest. These premium electric fireplaces fuse high-quality craftsmanship with elegant styling. The Skope series, available as a wall-mounted or built-in fireplace, provide stunning visuals and 3-dimensional depth. Enhanced, undulating flame effects and a deep bed of realistic logs or crystals give the Skope series unparalleled realism and a modern, clean aesthetic.

Regency Skope delivers much more than mesmerizing effects and a realistic fireside glow. Designed with the very latest LED technology and offering a choice of stunning fuel bed options, this innovative electric fireplace range lets you decide on the perfect ambiance to suit your décor with only your imagination to hold you back. Add the warmth and comfort of a fireplace to your home with a new Regency Skope electric fireplace.

## CHOOSE YOUR STYLE

**01 SKOPE SINGLE-SIDED (FOR A BUILT-IN FIREPLACE)** : Skope single-sided fireplaces are offered in three sizes and are designed to be built into the wall for a minimalist installation that integrates seamlessly with your interior.

**02 SKOPE MULTI-SIDED (FOR CORNER OR BAY FIREPLACE)** : The Skope multi-sided fireplace allows you to create a two-sided or three-sided installation, for a unique focal point that provides a panoramic view of the stunning visuals.



# ACCESSORIES

## IMMERSIVE LIGHTING SYSTEM

Regency Skope utilizes Chromalight technology to create an unmatched visual display with realistic, dancing flames. With over 39 different lighting combinations, the Regency Skope provides the flexibility to create ambiance and set the mood anytime, day or night.

Choose your look by combining one of three vivid flame colors with one of thirteen glowing ember light colors (or choose the cycle for the ultimate wow factor!). Regency Skope's immersive combination of flame lighting, up-lighting, and down-lighting produces realistic 3-dimensional flames to give you the comfort and ambiance of a fire without the need for wood or gas!



- 1 Choice of three flame effects
- 2 Immersive down lighting
- 3 A selection of 13 vivid fuel bed colors

## CREATIVE CONTROL

The Skope's advanced thermostatic handset gives you full control over the fire's host of features. Flames, fuel bed lighting and ambient heating can all be controlled independently to create the desired atmosphere with or without heat.

### FLAME OPTIONS

Select amber, blue, or amber with blue accent to suit your mood, with five brightness settings to give you the perfect ambiance.

### CHROMALIGHT FUEL LIGHTING

Choose from 13 different vibrant colors to illuminate the Skope's striking fuel bed which can be fine-tuned with five brightness levels.

### THERMOSTATIC HEATING

Select the optimum room temperature you desire and your Skope does the rest for you. Choose between 59°F (15°C) and 77°F (25°C).

### COMFORT TEMPERATURE

Set the thermostat as you would your central heating. With Eco & Boost settings, enjoy further freedom to adjust the temperature by +/- 4°C (~ 7°F), if desired.

### HEATING ADVANCE MODE

You can manually advance any pre-set heating cycle to either come on or turn off before the programmed time without disrupting daily or weekly scheduling.

### ADAPTIVE START CONTROL

Adaptive start allows the Skope to automatically turn on up to 45 minutes in advance of a pre-set time to reach your desired temperature when you want.

### DAILY AND WEEKLY HEATING

Set the Skope to turn on to provide heat at certain times of the day, or even days of the week, using the handset's daily and weekly timer control functions.

### OPEN WINDOW DETECTION

Detects open windows and will shut off heat to save power. Heating can easily be resumed simply by pressing the heat button or allowing the room's temperature to rise by closing the window.







*E110 shown as bay (three-sided) with small & large ice crystals and optional mantle surround.*

## REGENCY SKOPE | E110 43" Multi-sided Fireplace

### FEATURES

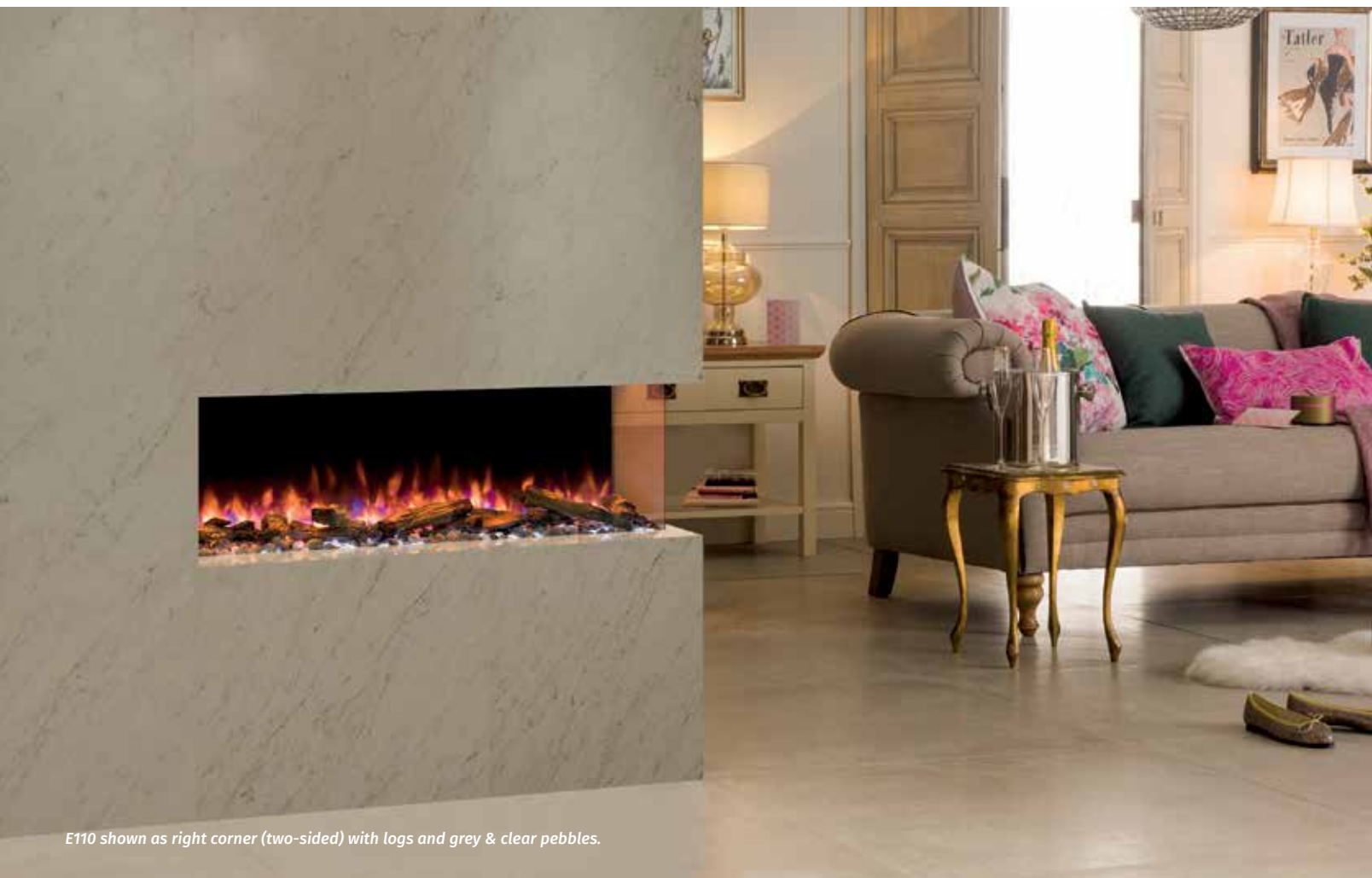
- Can be installed as a two-sided corner or three-sided bay fireplace
- Chromalight immersive LED system
- Three different flame options : amber, blue, amber with blue accent
- Choice of fuel effects that can be mixed and matched including logs, grey & clear pebbles and small & large ice crystals
- Over 5,000 BTU electric heater with blower
- Dynamic, sparkling fuel bed lighting can be set to one of 13 vibrant colors
- 6 levels of adjustable brightness for flames and fuel bed
- Flames and fuel effect can be enjoyed with or without heat
- 3-Prong Plug or Hardwire Kit included for installation flexibility
- Optional base finishing trims
- Optional mantle surround
- The safest choice for children and pets
- Thermostatic remote control included

### SPECIFICATIONS

Width	45-7/16"
Height	22-3/8"
Depth	10-7/8"
Flame Viewing Area	43" x 14"



*E110 shown as left corner (two-sided) with logs and grey & clear pebbles.*



*E110 shown as right corner (two-sided) with logs and grey & clear pebbles.*





E105 shown with log, crystals & pebble fuel effect.

## REGENCY SKOPE | E105, E135, E195 *Single-sided Fireplaces*

### FEATURES

- Chromalight immersive LED system
- Three different flame options : amber, blue, amber with blue accent
- Choice of fuel effects that can be mixed and matched including logs, grey & clear pebbles and small & large ice crystals
- Over 5,000 BTU electric heater with blower
- Dynamic, sparkling fuel bed lighting can be set to one of 13 vibrant colors
- 6 levels of adjustable brightness for flames and fuel bed
- Flames and fuel effect can be enjoyed with or without heat
- 3-Prong Plug or Hardwire Kit included for installation flexibility
- The safest choice for children and pets
- Thermostatic remote control included

SPECIFICATIONS	E105	E135	E195
Width	44-4/8"	56-3/8"	80-1/8"
Height	22-1/16"	22-1/16"	22-1/16"
Flame Viewing Area	41" x 13"	53" x 13"	77" x 13"



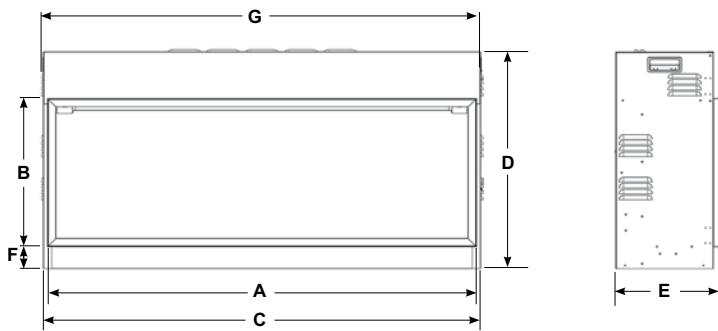
*E135 shown with small & large ice crystals.*



*E195 shown with logs and grey & clear pebbles.*

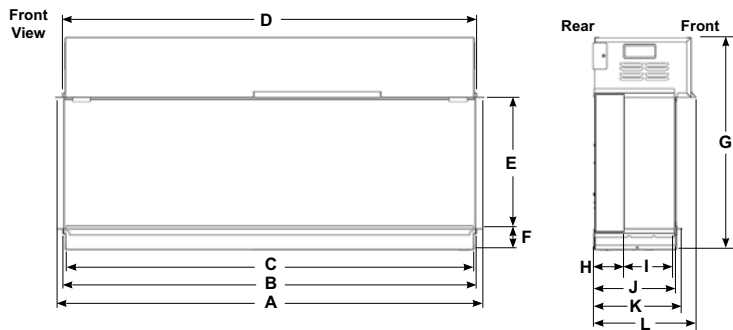
# DIMENSIONS

## SKOPE E105, E135, E195 – SINGLE-SIDED FIREPLACES



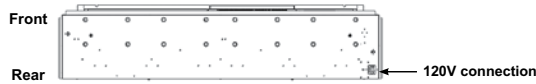
	E105	E135	E195
A	43-3/16"	55-1/8"	78-3/4"
B	14-15/16"	14-15/16"	14-15/16"
C	44"	55-7/8"	79-7/8"
D	22-1/16"	22-1/16"	22-1/16"
E	10-5/8"	10-5/8"	10-5/8"
F	2-1/4"	2-1/4"	2-1/4"
G	44-4/8"	56-3/8"	80-1/8"

## SKOPE E110 – MULTI-SIDED FIREPLACE



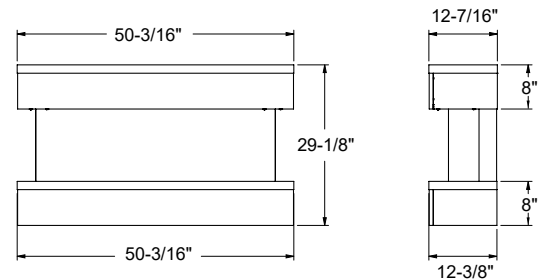
DIMENSIONS	
A	45-7/16"
B	43-11/16"
C	43-5/16"
D	43-15/16"
E	13-7/8"
F	2-1/4"

DIMENSIONS	
G	22-3/8"
H	3-1/8"
I	5-5/16"
J	8-11/16"
K	9-3/8"
L	10-7/8"



**NOTE:** A 15 AMP, 60Hz circuit is required for 120V installation. Additional appliances on the same circuit may exceed the current rating of that circuit. A dedicated circuit is highly recommended to prevent the circuit breaker from tripping or possible fuse failure.

## SKOPE E110 – MANTLE DIMENSIONS



**DISCLAIMER:** Please refer to the manual for the latest up to date installation details.

regency-fire.com

Your Regency Dealer

