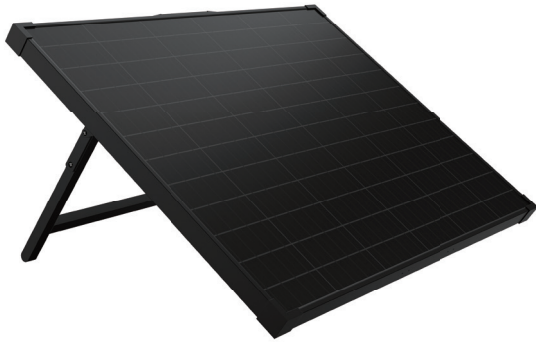


# 100W KICKSTAND SOLAR PANEL



## Recharge your battery off-grid

Stay charged during your off-grid adventures with Furrion's 100W Kickstand Solar Panel. Made with monocrystalline cells – the highest-grade silicon – these panels deliver the best possible efficiency rating.

These panels also provides a higher power output contained in a more compact package, taking up less space while still giving you the power you need.

## Key Benefits and Compatibility

**High efficiency cells:** The Furrion 100W Kickstand Solar Panel uses high quality monocrystalline cells, making it ideal for all kinds of weather conditions and providing consistent power output whether you're using it with ideal sun exposure or in low light conditions during a cloudy day.

**Portable and durable:** Made of corrosion-resistant aluminium and tempered glass, Furrion Solar panels have been designed to be highly portable and extremely resistant to extreme weather conditions. With a weight of only 18.74lbs, this kickstand solar panel is an efficient and convenient power source for your next off-grid adventure.

**Versatile and ready-to-use:** This highly versatile solar panel is ready-to-use straight out-of-the-box. All you need to do is unfold it, plug it into your Furrion RV solar inlet, Furrion PowerStation™ or Furrion eRove™ electric cooler, and begin powering your devices.

## Main Features



100W  
MAXIMUM  
POWER



IP65  
WATERPROOF



ALUMINIUM  
FRAME WITH  
CORNER  
PROTECTION



20%  
Efficiency  
UP TO 20%  
CELL EFFICIENCY



SHORT CIRCUIT  
PROTECTION



15 FT PV LEAD  
CABLE



OPTIMAL  
PERFORMANCE  
IN WEAK LIGHT



COMPATIBLE  
WITH FURRIION  
10A PWM  
CHARGER\*

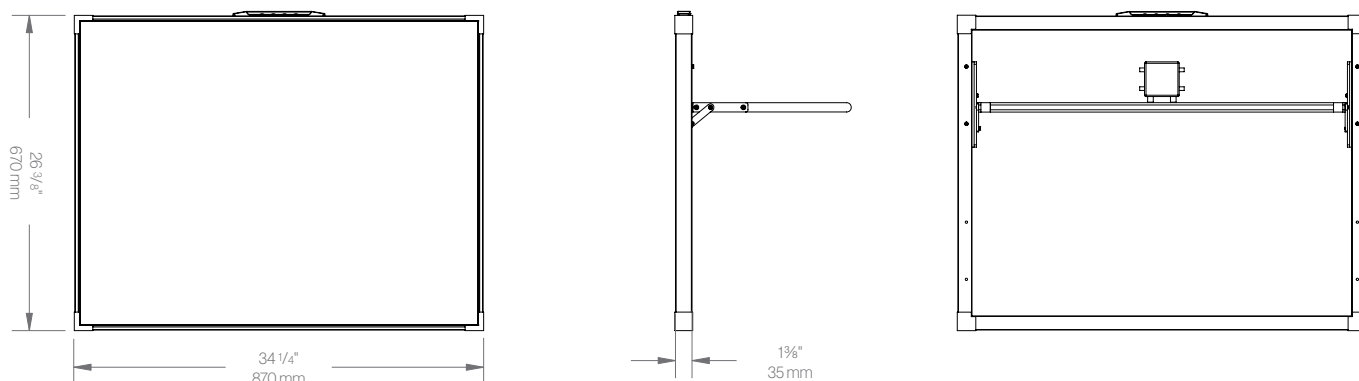


COMPATIBLE  
WITH FURRIION  
EPOD™ \*

\* Sold separately

## Compatibility

- Furrion RV solar inlet
- Furrion ePod™ battery
- Furrion eRove™ ecosystem



Part Number	Product
FSPF10MWY	100W Briefcase Solar Panel, 10A PWM Bundle kit
FSPF10MWN	100W Briefcase Solar Panel, Furrion ePod™ Adapter Bundle kit

## Specifications

Max. Power(Pmax)	100W
Rated Voltage(Vmpp)	17V
Rated Current (Impp)	5.9A
Open Circuit Voltage (Voc)	20.9V
Short Circuit Current (Isc)	6.13A
Solar Cell Type	Monocrystalline
Test Condition	77°F / 25°C, 1000W/m <sup>2</sup> Irradiance and AM1.5
Connector Type	DC Connector

## Packaging Information

Packaging Type	Carton Box
Quantity per Box (pcs)	1
Individual Packaging Dimensions (L x W x H)	35 <sup>3</sup> / <sub>8</sub> x 27 <sup>1</sup> / <sub>8</sub> x 2 <sup>1</sup> / <sub>8</sub> " (890 x 690 x 55mm)
Individual Packaging Gross Weight (lbs/kg)	18.1lbs / 8.2kg
Individual Packaging Net Weight (lbs/kg)	17.6lbs / 8.0kg

## Pallet Information

Quantity per Box	16
Master Carton Dimensions (L x W x H)	39 <sup>3</sup> / <sub>4</sub> x 35 <sup>7</sup> / <sub>8</sub> x 28" (1010 x 910 x 710 mm)
Master Carton Gross Weight (lbs/kg)	333lbs / 151kg
Master Carton Net Weight (lbs/kg)	317lbs / 144kg

