



IR ENERGY INC.  
 563 BARTON STREET  
 STONEY CREEK, ON L8E 5S1  
 PHONE: (905) 664-9082  
 www.irenergy.ca

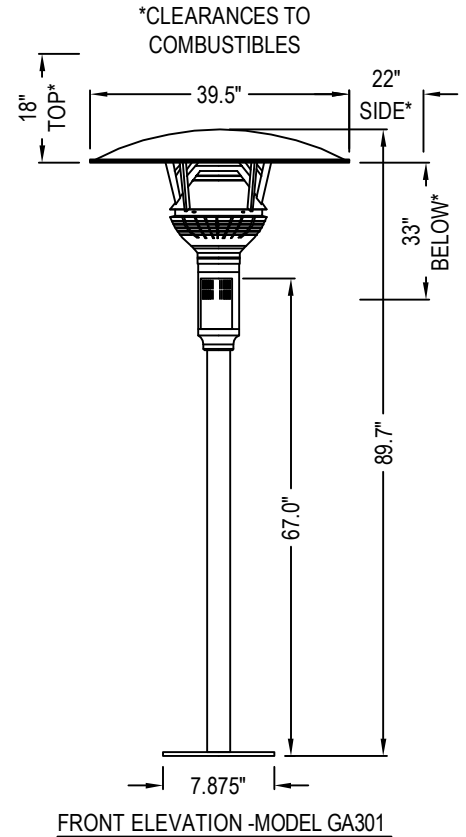
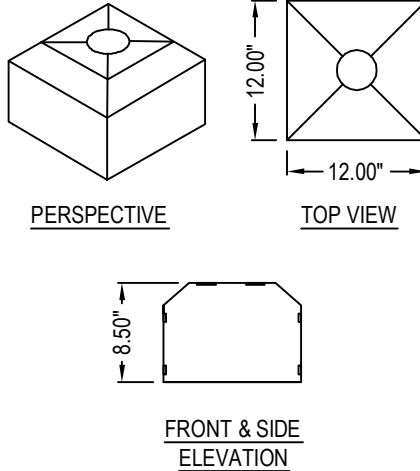
SELECT DESIRED GAS:

- PROPANE     NATURAL GAS

SELECT DESIRED FINISH:

- 316 MARINE GRADE STAINLESS STEEL  
 304 STAINLESS STEEL  
 BLACK POWDER COAT  
 CUSTOM POWDER COAT  
 SPECIFY: \_\_\_\_\_

OPTIONAL GAS CONNECTION COVER  
 HEAT COVERAGE

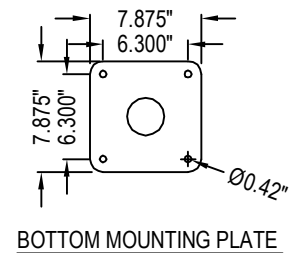
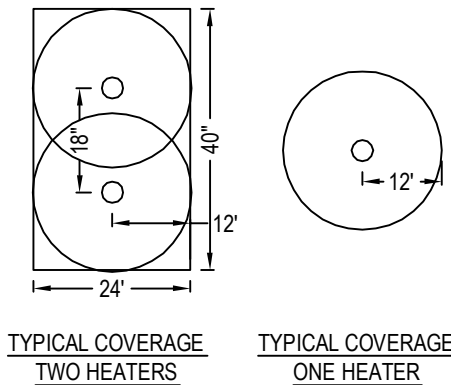


**TECHNICAL SPECIFICATIONS:**

- HIGH FIRE - 53,000BTU/HR
- GAS MANIFOLD PRESSURE: NG - 5.5" W.C.
- GAS SUPPLY PRESSURE: NG - 6.5" W.C. (MIN) 14.0" W.C. (MAX)
- ONE-PIECE HEAVY-DUTY REFLECTOR
- 1 x AA BATTERY POWERED IGNITION
- PILOT WITH THERMOCOUPLE
- ELECTRONIC TILT SAFETY SHUT-OFF SWITCH AT 15 DEGREES
- REGULATOR PROVIDED WITH QUICK CONNECT

**WARRANTY:**

- 3 YEARS ON 316 STAINLESS STEEL EMITTER
- 1 YEAR ON ALL OTHER PARTS



**NOTES:**

1. INSTALLATION TO BE COMPLETED IN ACCORDANCE WITH MANUFACTURER'S SPECIFICATIONS.
2. DO NOT SCALE DRAWING.
3. THIS DRAWING IS INTENDED FOR USE BY ARCHITECTS, ENGINEERS, CONTRACTORS, CONSULTANTS AND DESIGN PROFESSIONALS FOR PLANNING PURPOSES ONLY. THIS DRAWING MAY NOT BE USED FOR CONSTRUCTION.
4. ALL INFORMATION CONTAINED HEREIN WAS CURRENT AT THE TIME OF DEVELOPMENT BUT MUST BE REVIEWED AND APPROVED BY THE PRODUCT MANUFACTURER TO BE CONSIDERED ACCURATE.
5. CONTRACTOR'S NOTE: FOR PRODUCT AND COMPANY INFORMATION VISIT [www.CADdetails.com/info](http://www.CADdetails.com/info) AND ENTER REFERENCE NUMBER 5029-020.

