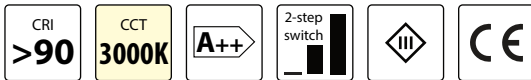


# Flo Grommet F46

design Foster + Partners, 2013

release 2019, December



A light fitting in aluminium and steel, to be mounted on surfaces like desks, shelves, etc. with an arm pivoting on its base by 120°. Its head rotates by 300°. Lighting source is 6w-LED, which you can switch on with one click for full light intensity, with two clicks for half light intensity.

## Finishing

### Standard

● Black soft touch  
cod. 96001ST00

○ Matt white  
cod. 96002OP00

● Brushed nickel  
cod. 9604400

### Special

● Matt red  
cod. 96003OP00

● Matt yellow  
cod. 96005OP00

● Metallic bronze  
cod. 96029MT00

● Gunmetal  
cod. 9603200

All RAL coating and galvanic finishes available upon request

## Light emission

- Light emission: diffuse
- Light direction: downlight
- Light source: led board
- Source flux: 520 lm
- Emitted flux: 370 lm
- Efficacy: 41 lm/W
- CCT: 3000K
- CRI index: >90
- Lifetime: >55000h L80 @ 25°C

## Electrical Facts

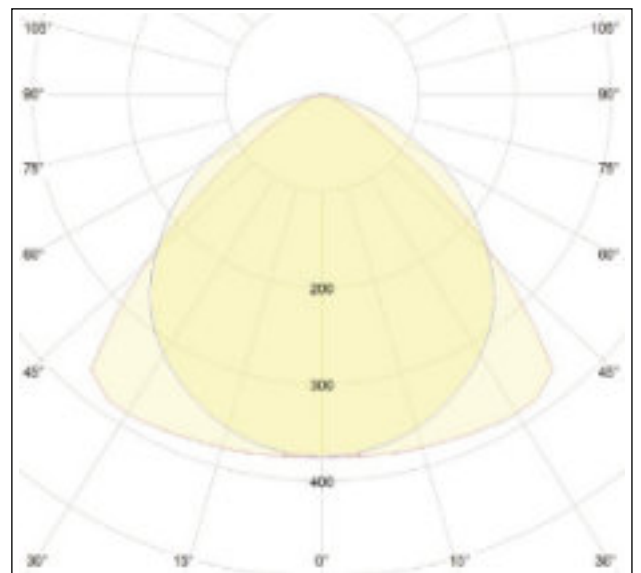
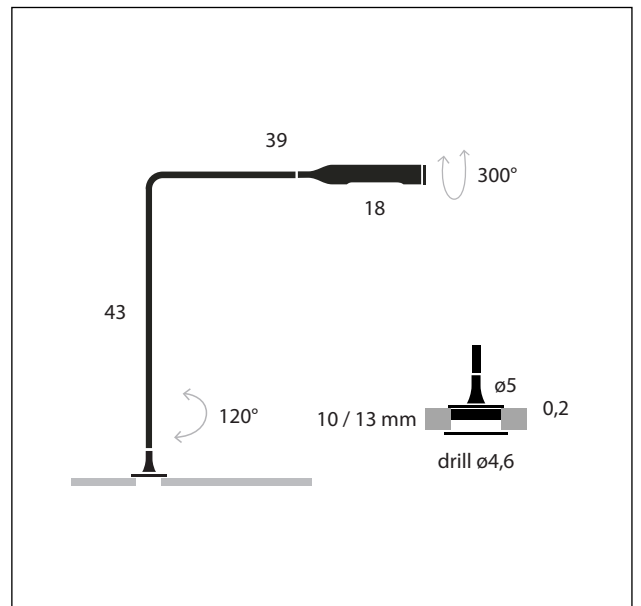
- Source power: 6 W
- Power absorption: 9 W
- Stand-by absorption: < 1 W
- Grid voltage: 100-240V AC/50-60 Hz
- Power supply: multiplug AC-DC converter provided
- Dimmability: internal push dimmer
- Energy class: A++

## Technical data

- Environment: indoor
- Placement: table
- Net weight: 0,6 Kg
- Certifications: CE
- Suggested ambient T: 25°C
- Maximum ambient T: 40°C
- Insulation class: III
- Protection class: IP20

Packaging  
cardboard box  
69 x 47 x 8 (cm)  
0,024 m<sup>3</sup>

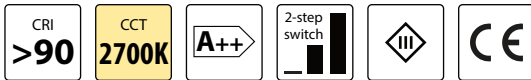
Gross weight  
1,6 Kg



# Flo Grommet F46

design Foster + Partners, 2013

release 2019, December



A light fitting in aluminium and steel, to be mounted on surfaces like desks, shelves, etc. with an arm pivoting on its base by 120°. Its head rotates by 300°. Lighting source is 6w-LED, which you can switch on with one click for full light intensity, with two clicks for half light intensity.

## Finishing

### Standard

● Black soft touch  
cod. 96001STK27

○ Matt white  
cod. 96002OPK27

● Brushed nickel  
cod. 96044K27

### Special

● Matt red  
cod. 96003OPK27

● Matt yellow  
cod. 96005OPK27

● Metallic bronze  
cod. 96029MTK27

● Gunmetal  
cod. 96032K27

All RAL coating and galvanic finishes available upon request

## Light emission

- Light emission: diffuse
- Light direction: downlight
- Light source: led board
- Source flux: 500 lm
- Emitted flux: 355 lm
- Efficacy: 39,4 lm/W
- CCT: 2700K
- CRI index: >90
- Lifetime: >55000h L80 @ 25°C

## Electrical Facts

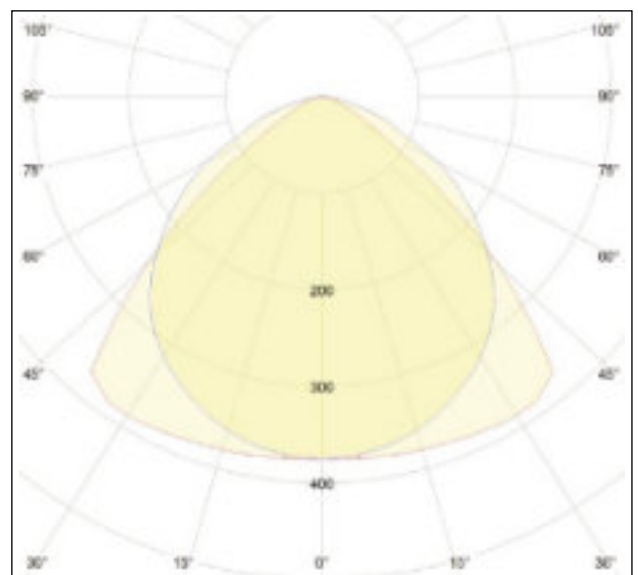
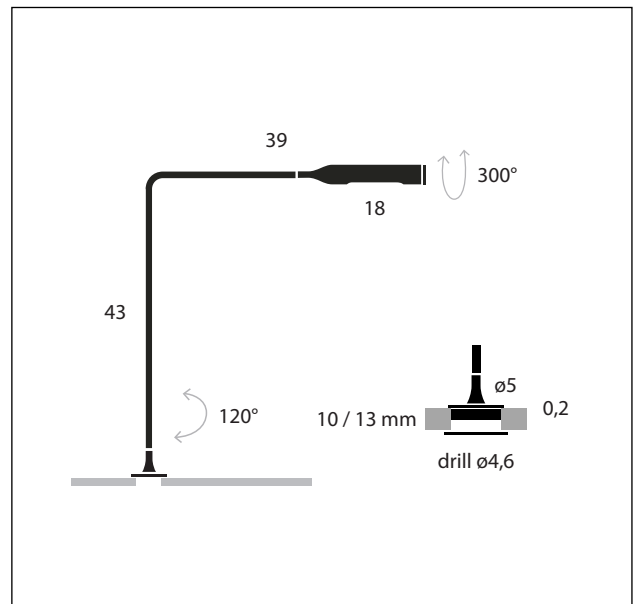
- Source power: 6 W
- Power absorption: 9 W
- Stand-by absorption: < 1 W
- Grid voltage: 100-240V AC/50-60 Hz
- Power supply: multiplug AC-DC converter provided
- Dimmability: internal push dimmer
- Energy class: A++

## Technical data

- Environment: indoor
- Placement: table
- Net weight: 0,6 Kg
- Certifications: CE
- Suggested ambient T: 25°C
- Maximum ambient T: 40°C
- Insulation class: III
- Protection class: IP20

Packaging  
cardboard box  
69 x 47 x 8 (cm)  
0,024 m<sup>3</sup>

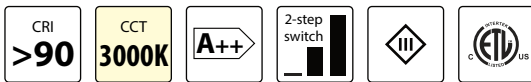
Gross weight  
1,6 Kg



# Flo Grommet F46

design Foster + Partners, 2013

release 2019, December



A light fitting in aluminium and steel, to be mounted on surfaces like desks, shelves, etc. with an arm pivoting on its base by 120°. Its head rotates by 300°. Lighting source is 6w-LED, which you can switch on with one click for full light intensity, with two clicks for half light intensity.

## Finishing

### Standard

● Black soft touch  
cod. 96001ST00ETL

○ Matt white  
cod. 96002OP00ETL

● Brushed nickel  
cod. 9604400ETL

### Special

● Matt red  
cod. 96003OP00ETL

● Matt yellow  
cod. 96005OP00ETL

● Metallic bronze  
cod. 96029MT00ETL

● Gunmetal  
cod. 9603200ETL

All RAL coating and galvanic finishes available upon request

## Light emission

- Light emission: diffuse
- Light direction: downlight
- Light source: led board
- Source flux: 520 lm
- Emitted flux: 370 lm
- Efficacy: 41 lm/W
- CCT: 3000K
- CRI index: >90
- Lifetime: >55000h L80 @ 25°C

## Electrical Facts

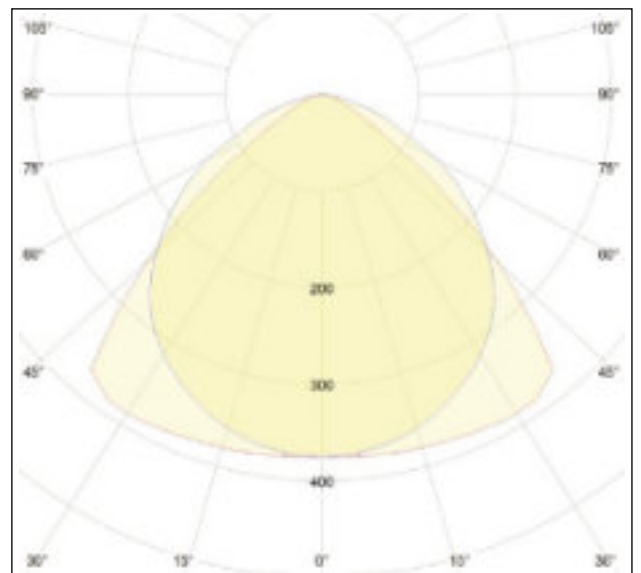
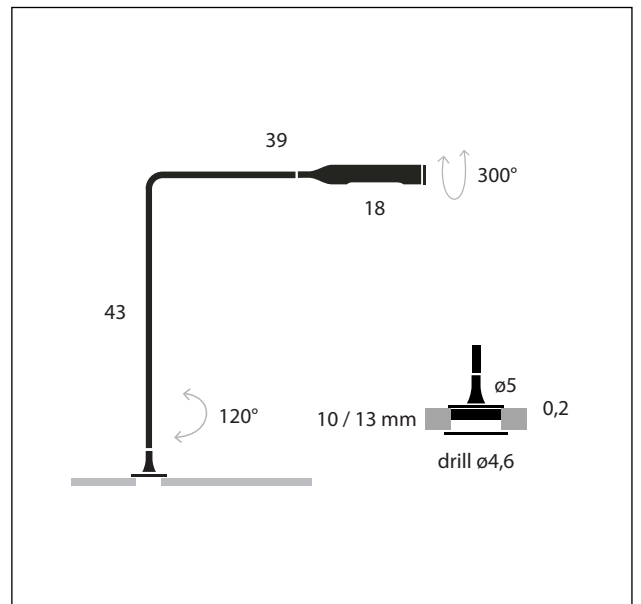
- Source power: 6 W
- Power absorption: 9 W
- Stand-by absorption: < 1 W
- Grid voltage: 100-240V AC/50-60 Hz
- Power supply: multiplug AC-DC converter provided
- Dimmability: internal push dimmer
- Energy class: A++

## Technical data

- Environment: indoor
- Placement: table
- Net weight: 0,6 Kg
- Certifications: ETL
- Suggested ambient T: 25°C
- Maximum ambient T: 40°C
- Insulation class: III
- Protection class: IP20

Packaging  
cardboard box  
69 x 47 x 8 (cm)  
0,024 m<sup>3</sup>

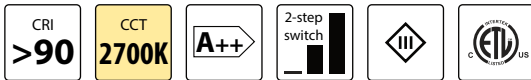
Gross weight  
1,6 Kg



# Flo Grommet F46

design Foster + Partners, 2013

release 2019, December



A light fitting in aluminium and steel, to be mounted on surfaces like desks, shelves, etc. with an arm pivoting on its base by 120°. Its head rotates by 300°. Lighting source is 6w-LED, which you can switch on with one click for full light intensity, with two clicks for half light intensity.

## Finishing

### Standard

● Black soft touch  
cod. 96001STK27ETL

○ Matt white  
cod. 96002OPK27ETL

● Brushed nickel  
cod. 96044K27ETL

### Special

● Matt red  
cod. 96003OPK27ETL

● Matt yellow  
cod. 96005OPK27ETL

● Metallic bronze  
cod. 96029MTK27ETL

● Gunmetal  
cod. 96032K27ETL

All RAL coating and galvanic finishes available upon request

## Light emission

- Light emission: diffuse
- Light direction: downlight
- Light source: led board
- Source flux: 500 lm
- Emitted flux: 355 lm
- Efficacy: 39,4 lm/W
- CCT: 2700K
- CRI index: >90
- Lifetime: >55000h L80 @ 25°C

## Electrical Facts

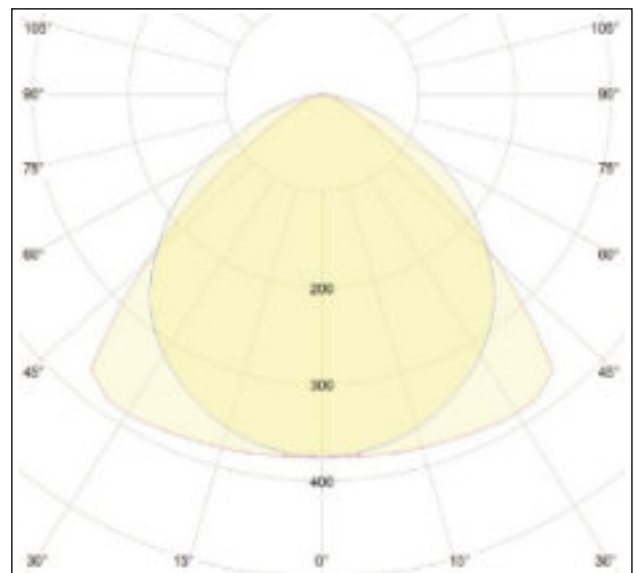
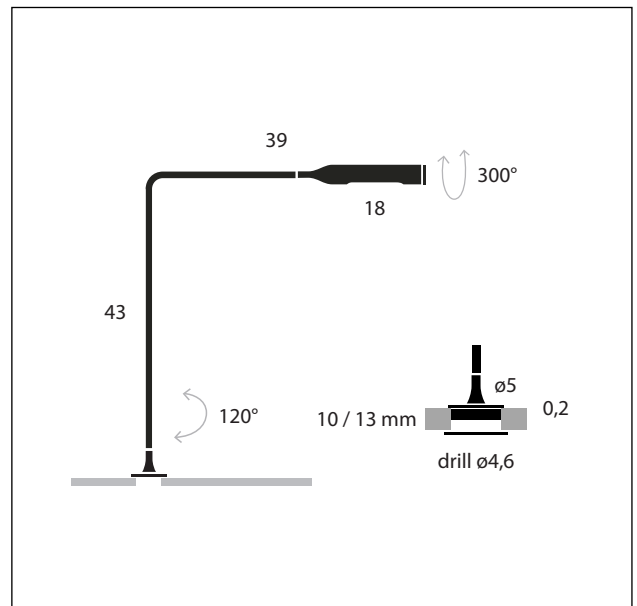
- Source power: 6 W
- Power absorption: 9 W
- Stand-by absorption: < 1 W
- Grid voltage: 100-240V AC/50-60 Hz
- Power supply: multiplug AC-DC converter provided
- Dimmability: internal push dimmer
- Energy class: A++

## Technical data

- Environment: indoor
- Placement: table
- Net weight: 0,6 Kg
- Certifications: ETL
- Suggested ambient T: 25°C
- Maximum ambient T: 40°C
- Insulation class: III
- Protection class: IP20

Packaging  
cardboard box  
69 x 47 x 8 (cm)  
0,024 m<sup>3</sup>

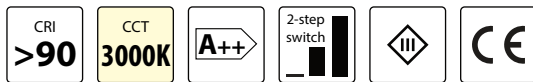
Gross weight  
1,6 Kg



# Flo Grommet F20

design Foster + Partners, 2013

release 2019, December



A light fitting in aluminium and steel, to be mounted on surfaces like desks, shelves, etc. with an arm pivoting on its base by 120°. Its head rotates by 300°. Lighting source is 6w-LED, which you can switch on with one click for full light intensity, with two clicks for half light intensity.

## Finishing

### Standard

● Black soft touch  
cod. 96201ST00

○ Matt white  
cod. 96202OP00

● Brushed nickel  
cod. 9624400

### Special

● Matt red  
cod. 96203OP00

● Matt yellow  
cod. 96205OP00

● Metallic bronze  
cod. 96229MT00

● Gunmetal  
cod. 9623200

All RAL coating and galvanic finishes available upon request

## Light emission

- Light emission: diffuse
- Light direction: downlight
- Light source: led board
- Source flux: 520 lm
- Emitted flux: 370 lm
- Efficacy: 41 lm/W
- CCT: 3000K
- CRI index: >90
- Lifetime: >55000h L80 @ 25°C

## Electrical Facts

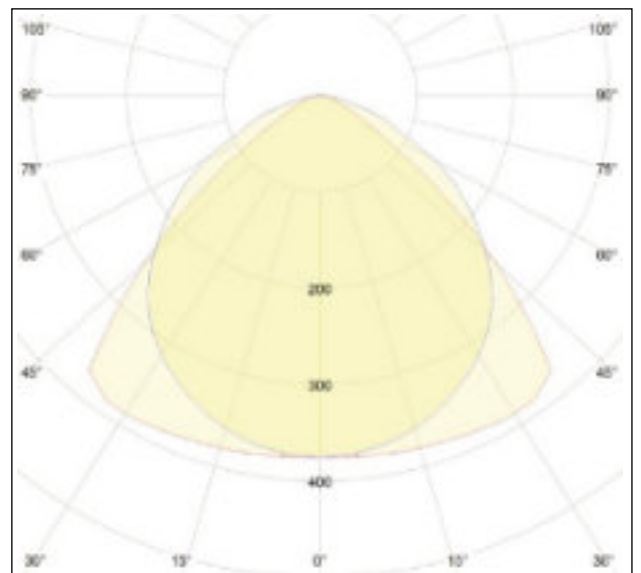
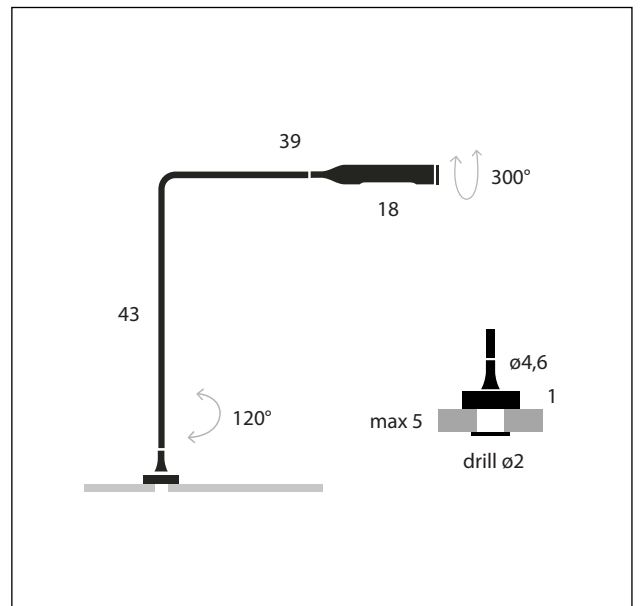
- Source power: 6 W
- Power absorption: 9 W
- Stand-by absorption: < 1 W
- Grid voltage: 100-240V AC/50-60 Hz
- Power supply: multiplug AC-DC converter provided
- Dimmability: internal push dimmer
- Energy class: A++

## Technical data

- Environment: indoor
- Placement: table
- Net weight: 0,6 Kg
- Certifications: CE
- Suggested ambient T: 25°C
- Maximum ambient T: 40°C
- Insulation class: III
- Protection class: IP20

Packaging  
cardboard box  
69 x 47 x 8 (cm)  
0,024 m<sup>3</sup>

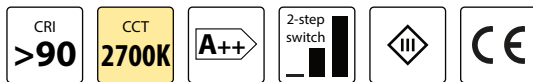
Gross weight  
1,6 Kg



# Flo Grommet F20

design Foster + Partners, 2013

release 2019, December



A light fitting in aluminium and steel, to be mounted on surfaces like desks, shelves, etc. with an arm pivoting on its base by 120°. Its head rotates by 300°. Lighting source is 6w-LED, which you can switch on with one click for full light intensity, with two clicks for half light intensity.

## Finishing

### Standard

● Black soft touch  
cod. 96201STK27

○ Matt white  
cod. 96202OPK27

● Brushed nickel  
cod. 96244K27

### Special

● Matt red  
cod. 96203OPK27

● Matt yellow  
cod. 96205OPK27

● Metallic bronze  
cod. 96229MTK27

● Gunmetal  
cod. 96232K27

All RAL coating and galvanic finishes available upon request

## Light emission

- Light emission: diffuse
- Light direction: downlight
- Light source: led board
- Source flux: 500 lm
- Emitted flux: 355 lm
- Efficacy: 39,4 lm/W
- CCT: 2700K
- CRI index: >90
- Lifetime: >55000h L80 @ 25°C

## Electrical Facts

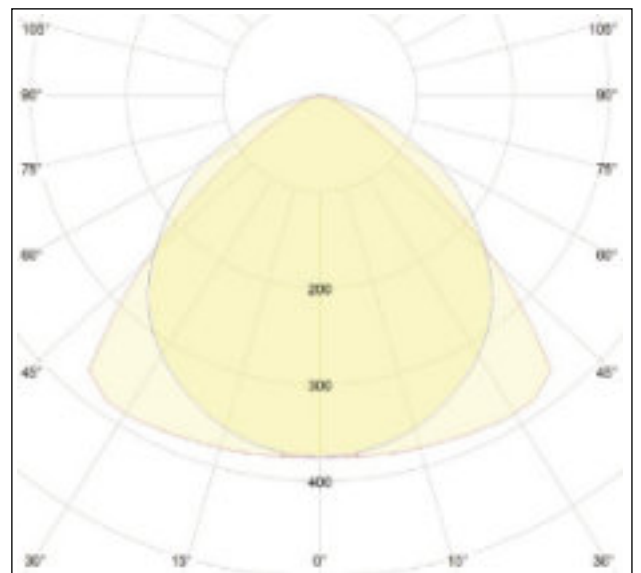
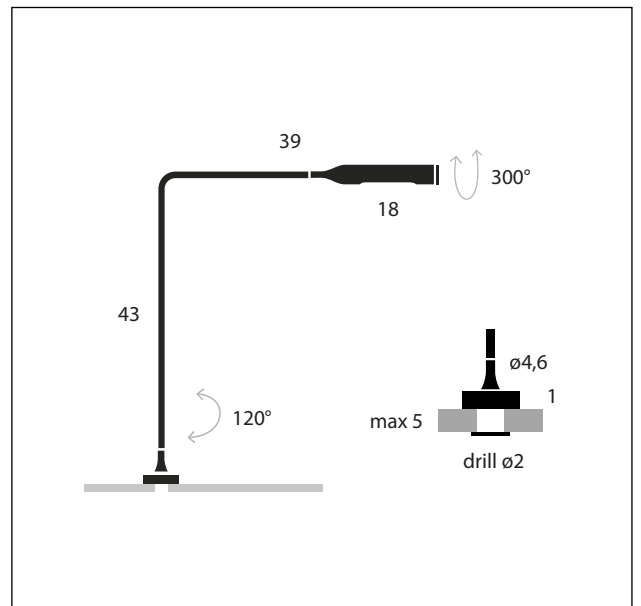
- Source power: 6 W
- Power absorption: 9 W
- Stand-by absorption: < 1 W
- Grid voltage: 100-240V AC/50-60 Hz
- Power supply: multiplug AC-DC converter provided
- Dimmability: internal push dimmer
- Energy class: A++

## Technical data

- Environment: indoor
- Placement: table
- Net weight: 0,6 Kg
- Certifications: CE
- Suggested ambient T: 25°C
- Maximum ambient T: 40°C
- Insulation class: III
- Protection class: IP20

Packaging  
cardboard box  
69 x 47 x 8 (cm)  
0,024 m<sup>3</sup>

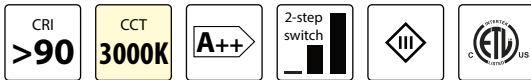
Gross weight  
1,6 Kg



# Flo Grommet F20

design Foster + Partners, 2013

release 2019, December



A light fitting in aluminium and steel, to be mounted on surfaces like desks, shelves, etc. with an arm pivoting on its base by 120°. Its head rotates by 300°. Lighting source is 6w-LED, which you can switch on with one click for full light intensity, with two clicks for half light intensity.

## Finishing

### Standard

● Black soft touch  
cod. 96201ST00ETL

○ Matt white  
cod. 96202OP00ETL

● Brushed nickel  
cod. 9624400ETL

### Special

● Matt red  
cod. 96203OP00ETL

● Matt yellow  
cod. 96205OP00ETL

● Metallic bronze  
cod. 96229MT00ETL

● Gunmetal  
cod. 9623200ETL

All RAL coating and galvanic finishes available upon request

## Light emission

- Light emission: diffuse
- Light direction: downlight
- Light source: led board
- Source flux: 520 lm
- Emitted flux: 370 lm
- Efficacy: 41 lm/W
- CCT: 3000K
- CRI index: >90
- Lifetime: >55000h L80 @ 25°C

## Electrical Facts

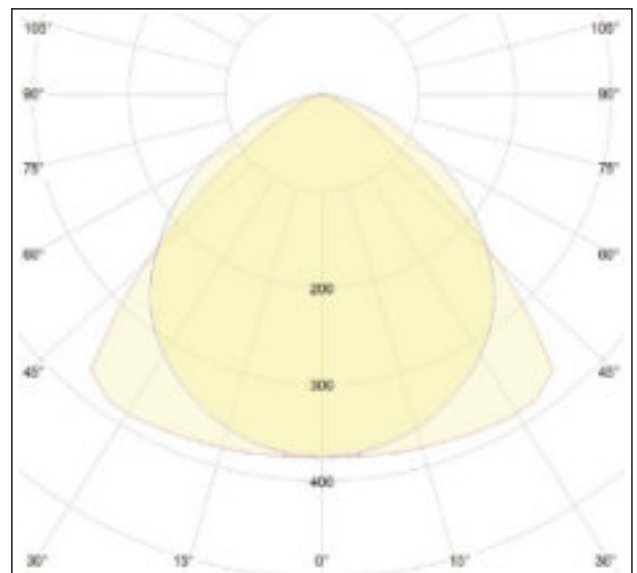
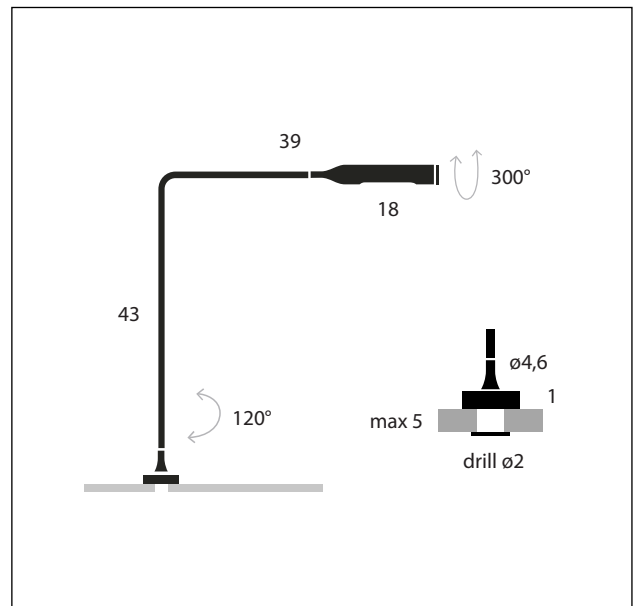
- Source power: 6 W
- Power absorption: 9 W
- Stand-by absorption: < 1 W
- Grid voltage: 100-240V AC/50-60 Hz
- Power supply: multiplug AC-DC converter provided
- Dimmability: internal push dimmer
- Energy class: A++

## Technical data

- Environment: indoor
- Placement: table
- Net weight: 0,6 Kg
- Certifications: ETL
- Suggested ambient T: 25°C
- Maximum ambient T: 40°C
- Insulation class: III
- Protection class: IP20

Packaging  
cardboard box  
69 x 47 x 8 (cm)  
0,024 m<sup>3</sup>

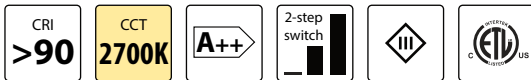
Gross weight  
1,6 Kg



# Flo Grommet F20

design Foster + Partners, 2013

release 2019, December



A light fitting in aluminium and steel, to be mounted on surfaces like desks, shelves, etc. with an arm pivoting on its base by 120°. Its head rotates by 300°. Lighting source is 6w-LED, which you can switch on with one click for full light intensity, with two clicks for half light intensity.

## Finishing

### Standard

● Black soft touch  
cod. 96201STK27ETL

○ Matt white  
cod. 96202OPK27ETL

● Brushed nickel  
cod. 96244K27ETL

### Special

● Matt red  
cod. 96203OPK27ETL

● Matt yellow  
cod. 96205OPK27ETL

● Metallic bronze  
cod. 96229MTK27ETL

● Gunmetal  
cod. 96232K27ETL

All RAL coating and galvanic finishes available upon request

## Light emission

- Light emission: diffuse
- Light direction: downlight
- Light source: led board
- Source flux: 500 lm
- Emitted flux: 355 lm
- Efficacy: 39,4 lm/W
- CCT: 2700K
- CRI index: >90
- Lifetime: >55000h L80 @ 25°C

## Electrical Facts

- Source power: 6 W
- Power absorption: 9 W
- Stand-by absorption: < 1 W
- Grid voltage: 100-240V AC/50-60 Hz
- Power supply: multiplug AC-DC converter provided
- Dimmability: internal push dimmer
- Energy class: A++

## Technical data

- Environment: indoor
- Placement: table
- Net weight: 0,6 Kg
- Certifications: ETL
- Suggested ambient T: 25°C
- Maximum ambient T: 40°C
- Insulation class: III
- Protection class: IP20

Packaging  
cardboard box  
69 x 47 x 8 (cm)  
0,024 m<sup>3</sup>

Gross weight  
1,6 Kg

