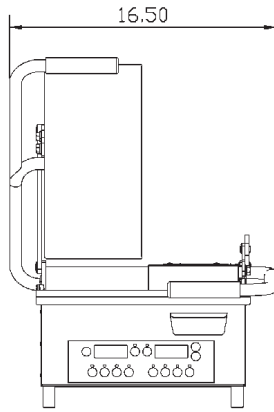
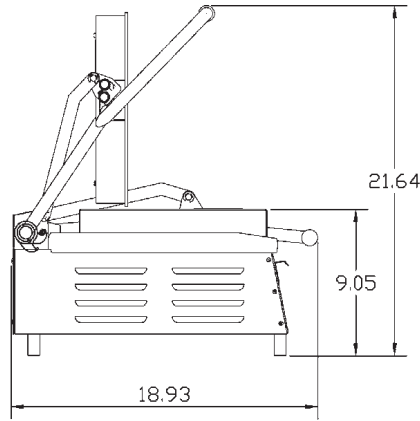


Vantage SL Compact

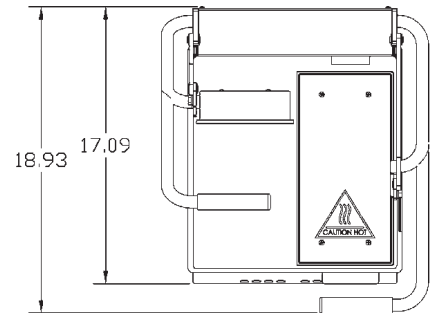
SL1266



FRONT



SIDE



TOP

Equipment Details

Temperature Control	Yes	Shipping Weight	78lbs/35kg
Maximum Heat	525F/274C	Machine Weight	66lbs/30kg
Programmable Timer	Yes	Voltage	120/230
Thickness Control	Yes	Wattage	1900/2077
Power Cord Length	72"	Amps	15.83/9.02
Power Plug	NEMA 5-20P	Controlled Heat Zones	3



PROLUXE™

CORPORATE HEADQUARTERS
20281 HARVILL AVE. PERRIS, CA 92570

HELPING COMMERCIAL KITCHENS
PRODUCE GREAT FOOD FASTER

ADVICE AND SUPPORT
1-800-624-6717

Small Footprint, High Output

This compact split lid grill is the perfect machine to grill and seal quesadillas, sandwiches, burritos and more. Our exclusive manufacturing process casts the heating elements into the platen resulting in more even heat distribution and longer life expectancy. Backed with an exclusive heating element limited lifetime warranty.



Vantage SL Compact
Heavy-Duty Compact Grill
SL1266



Double Your Output

Easily grill two separate menu items or double the output of a single entree.



COMPACT SIZE



HIGH PRODUCTION



EVEN HEAT DISTRIBUTION TECHNOLOGY



GRILL IN SECONDS



EMBEDDED HEATING ELEMENT