

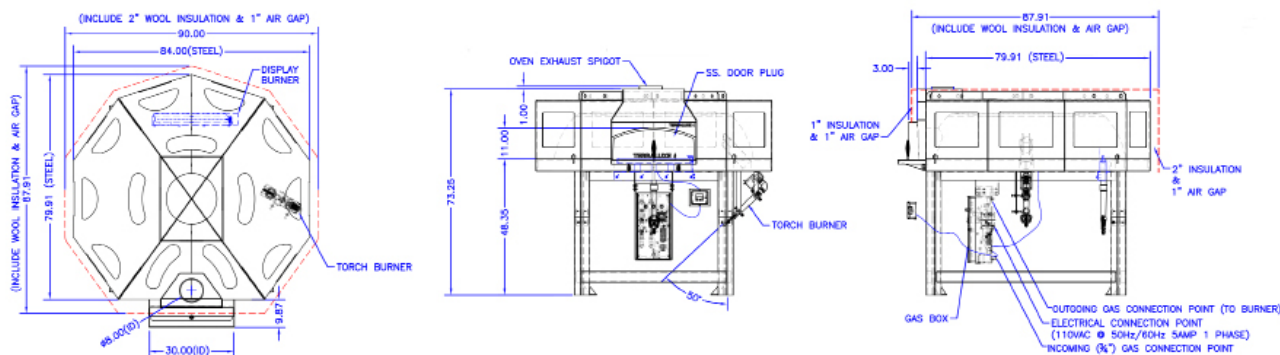
7ft. Round Oven

DPO7

With 28 sq.ft. of cooking surface you'll easily produce more than just pizza. This oven can accommodate appetizers, entrees and more, all in the same oven.

Pizza Capacity Per Hour

Size	8"	10"	12"	16"
Pizzas Per Hour	460	300	230	110



CFM	600 CFM Minimum	Voltage	120/220/240
Gas Burners	up to 2	BTUs	up to 219,000
Cooking Surface	28 sq. ft.	Fuel Options	Gas, Wood, Gas/Wood, Coal
Automatic High/Lo Burners	Yes	Gas Type	Propane/Natural
Touchscreen Interface	Yes	Duct Size	10"
In-floor Heating	No	Machine Weight	5643 lbs

The DPO7 comes in two (2) sections:

1. Oven Body - 3718lbs.
2. Base Section - 1925lbs.

*Removable sections makes for easy installation with standard door access (32").

SERVICES REQUIRED

Full Gas: 76,000 BTU. 3/4" Gas connection. NFPA-96 approved flue ducting in accordance with local and/or national codes.