

Benton  
52"

PROMINENCE HOME

# OWNER'S MANUAL

#50850 | #50581 | #50582 | #50583

Indoor Ceiling Fan

Pull Chain



If a problem cannot be remedied or you are experiencing difficulty in installation, please contact the service department.

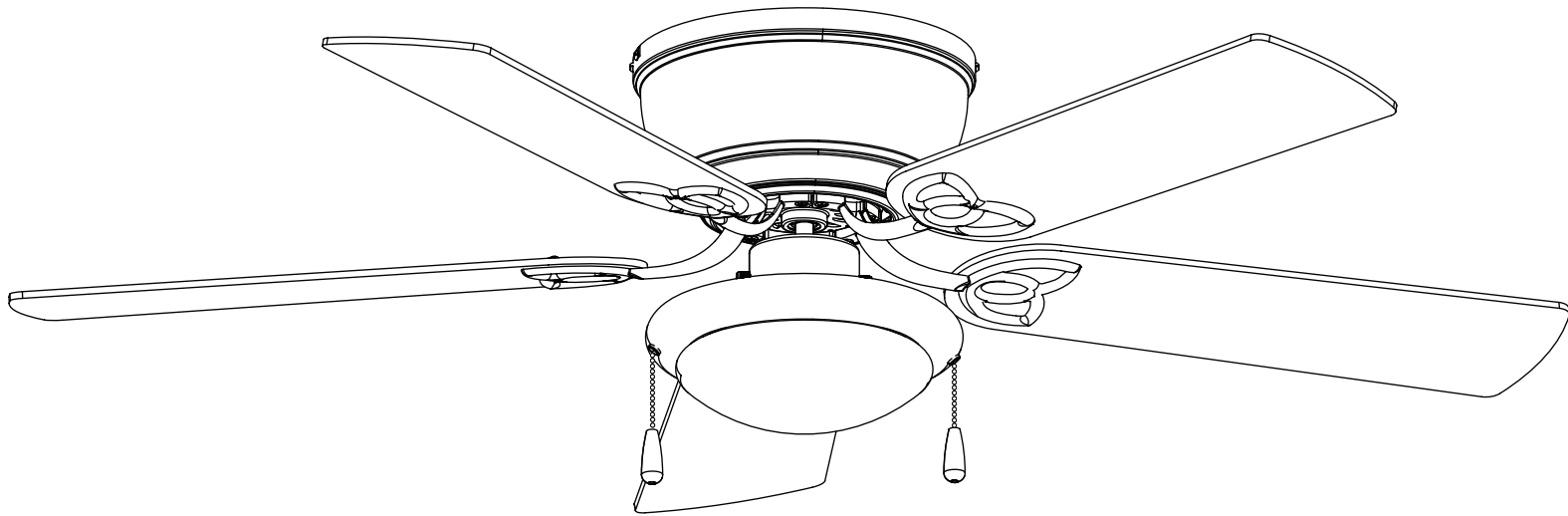
1-877-459-3267  
8 a.m. - 5 p.m Central, Monday-Friday




**Keeping You Cool Is What We Do Best!**

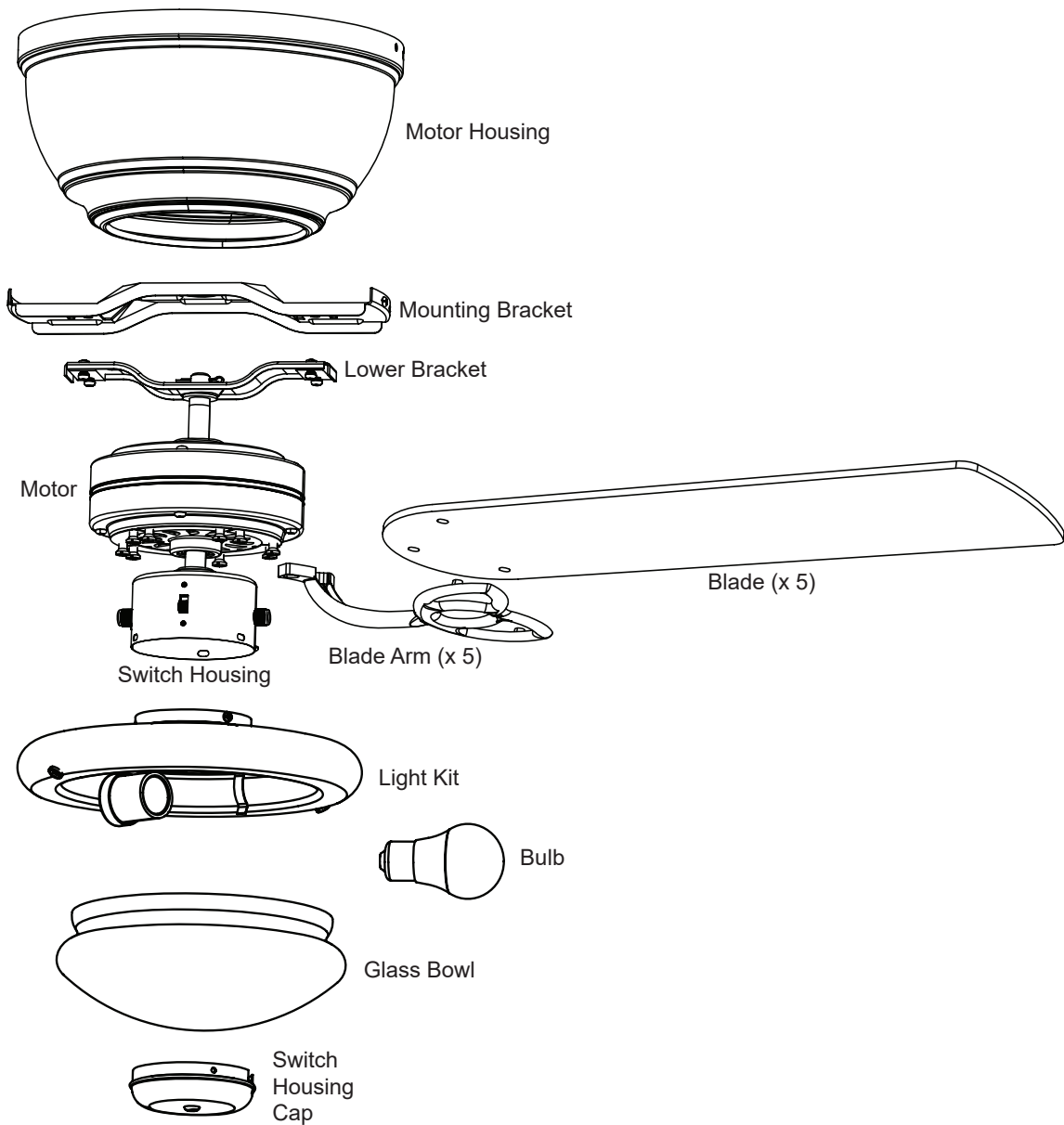
# 52-INCH HUGGER FAN

MODEL #50850, 50851, 50852, 50853



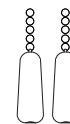
 Questions, problems or missing parts? Before returning this item to your retailer, call our customer service department at 1-877-706-3267, Monday - Thursday, 8am - 6pm, Friday, 8am - 5pm EST.

## PACKAGE CONTENTS



## HARDWARE CONTENTS

(not drawn to scale)



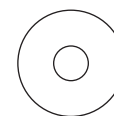
Pull Chain Extension (x 2)



Wire Connector (x 3)



Blade Screw (x 15)



Blade Washer (x 15)



Plug Button



Blade Balancing Kit

**Note:** Some extra fasteners are included for your convenience.

## TABLE OF CONTENTS

Package Contents . . . . .	2
Preparation . . . . .	3
Assembly Instructions . . . . .	5
Installation Without Light Kit . . . . .	9
Operating Instructions . . . . .	10
Safety Information . . . . .	11
Care and Maintenance . . . . .	11
Troubleshooting . . . . .	12
Warranty . . . . .	13
Replacement Parts List . . . . .	14

## PREPARATION

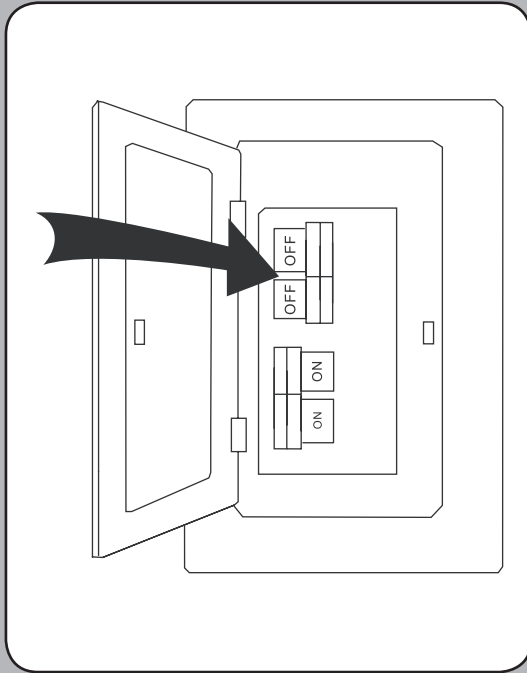
Before beginning the assembly of this product, ensure all parts are present. Compare all parts with the package contents list and hardware contents list. If any part is missing or damaged, do not attempt to assemble the product.

**Estimated Assembly Time:** 120 minutes

Tools required for assembly (not included): Electrical tape, Phillips Screwdriver, Pliers, Safety Glasses, Step Ladder, and Wire Strippers

Helpful Tools (not included): AC Tester Light, Tape Measure, Wiring Handbook and Wire Cutters

## PREPARATION



### 1. Turn off power.

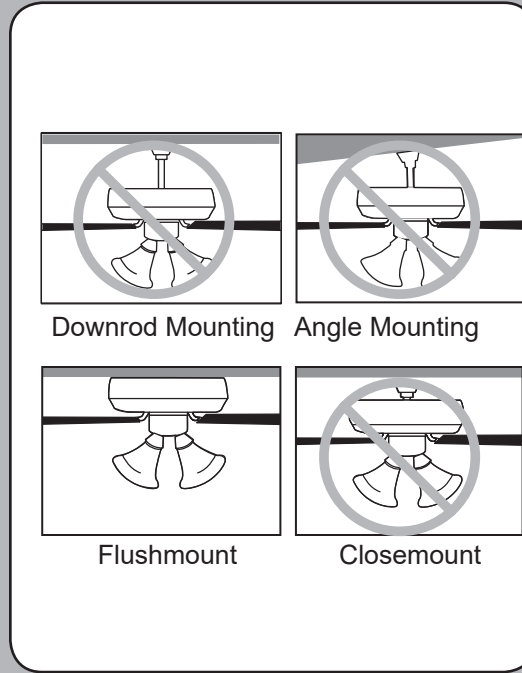
Turn off the power to the fan at the breaker box and the wall switch.



Failure to disconnect the power supply prior to installation may result in serious injury or death.



See page 11 for complete description of cautions and warnings.



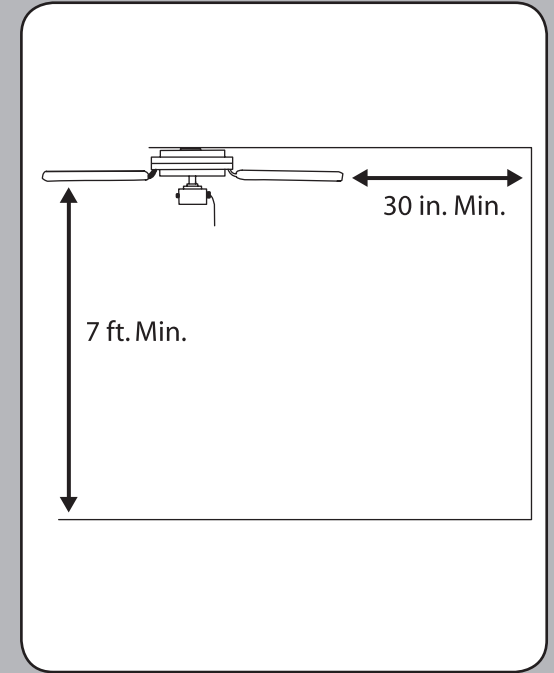
### 2. Choose mounting option.

**Standard Mounting** installation is not available for this item.

**Angle Mounting** installation is not available for this item.

**Flushmount** installation is best suited for ceilings 8 ft. or lower.

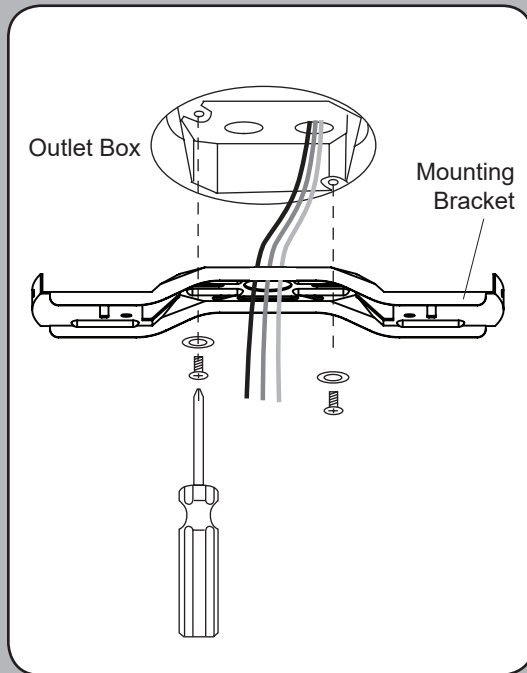
**Closemount** installation is not available for this item.



### 3. Choose suitable location.

Ensure the blades will be at least 30 inches from any obstructions. Also check the downrod length to ensure the blades will be at least 7 feet above the floor.

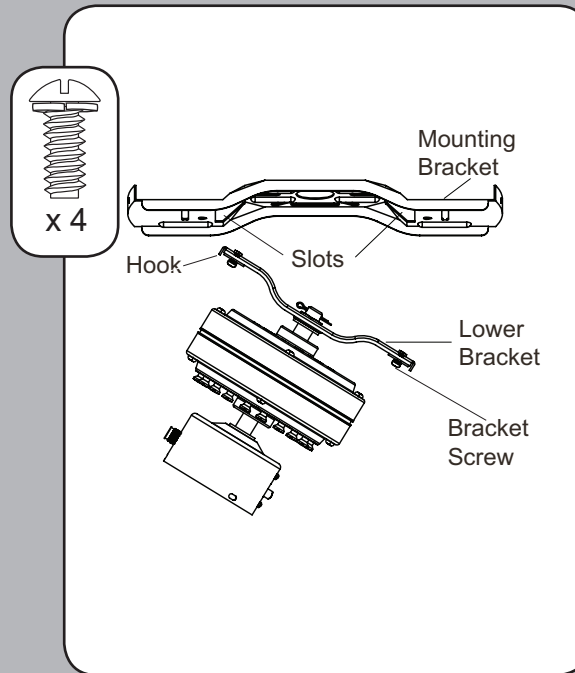
## ASSEMBLY INSTRUCTIONS



### 1. Install the mounting bracket.

Secure the mounting bracket to the outlet box (not included) using the washers and mounting screws supplied with outlet box.

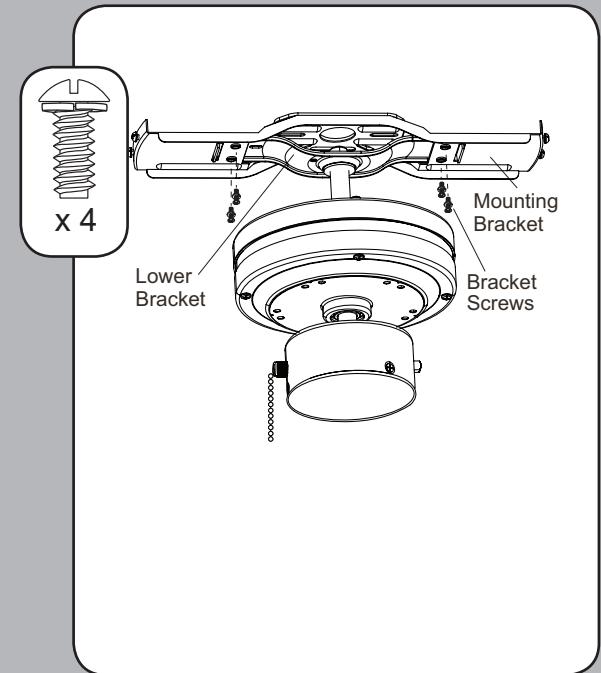
**Warning:** To reduce the risk of fire, electrical shock, or personal injury, mount the fan to the outlet box marked "Acceptable for fan support".



### 2. Attach the lower bracket.

**Note:** Remove the wire restraint from the wires on top of the lower bracket.

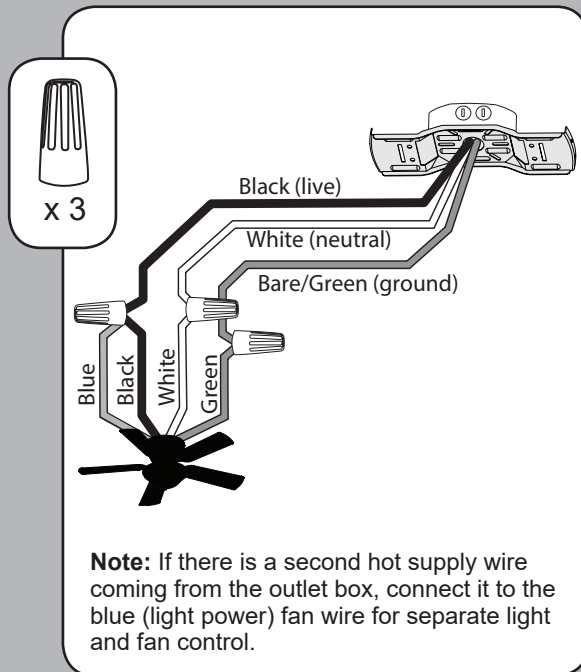
Remove the pre-assembled bracket screws from the lower bracket. Insert the hook from one side of the lower bracket into the slot of the mounting bracket. Then insert the other side of the lower bracket into the second slot in the mounting bracket until the four mounting screw holes are aligned.



### 3. Secure the lower bracket.

Secure the lower bracket to the mounting bracket with the four previously removed bracket screws.

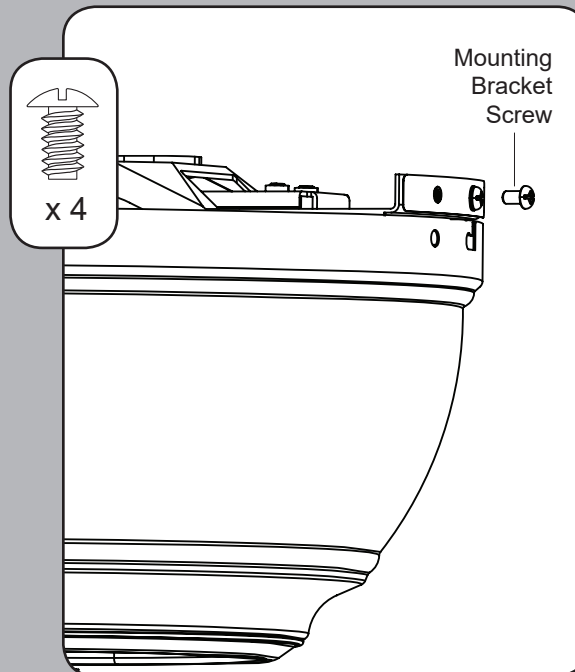
## ASSEMBLY INSTRUCTIONS



### 4. Wire the fan.

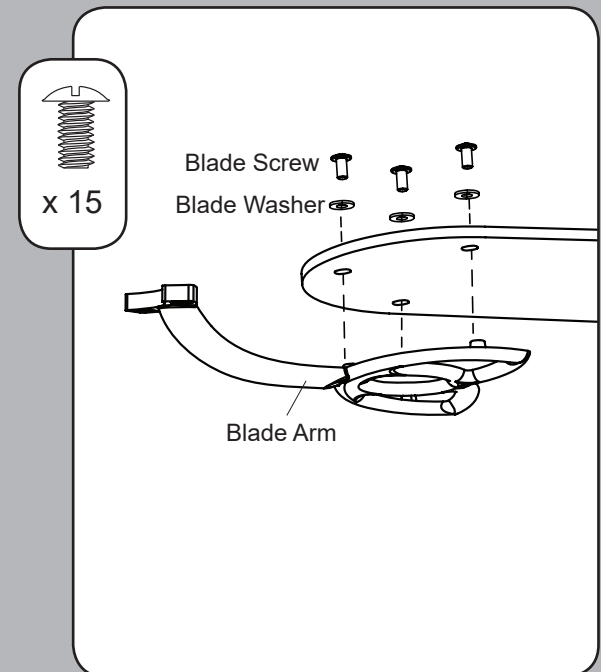
Connect household supply and fan wires according to the diagram and these steps:

- Connect the Green wire from the lower mounting bracket to the Bare/Green supply wire.
- Connect the White wire from the fan to the White supply wire.
- Connect the Black and Blue wires from the fan to the Black supply wire.
- Secure all wiring connections with wire connectors.



### 5. Attach the motor housing to the mounting bracket.

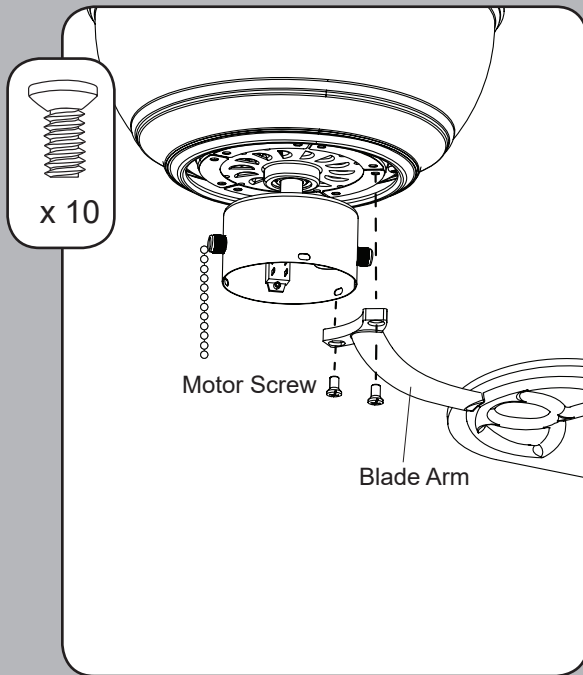
Partially loosen the two mounting screws preinstalled in the J-slots and completely remove the other two mounting bracket screws from round holes. Lift the motor housing over the motor aligning the J-slots in the motor housing with the loosened mounting bracket screws in the mounting bracket. Twist the motor housing clockwise to lock. Then re-insert the two previously removed mounting bracket screws and tighten all four screws with a Phillips screwdriver.



### 6. Attach the blades to blade arms.

Partially insert blade screws along with blade washers through blade and into blade arm. Tighten each blade screw, starting with the one in the middle. Repeat this step for the remaining blades and blade arms.

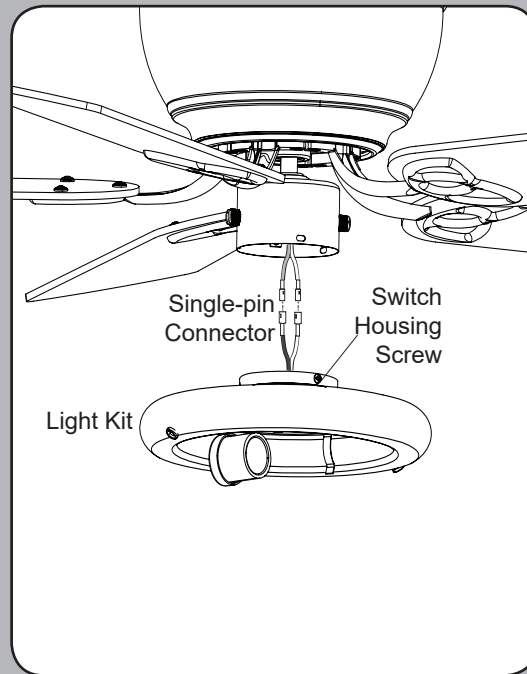
## ASSEMBLY INSTRUCTIONS



### 7. Attach blade arms to motor.

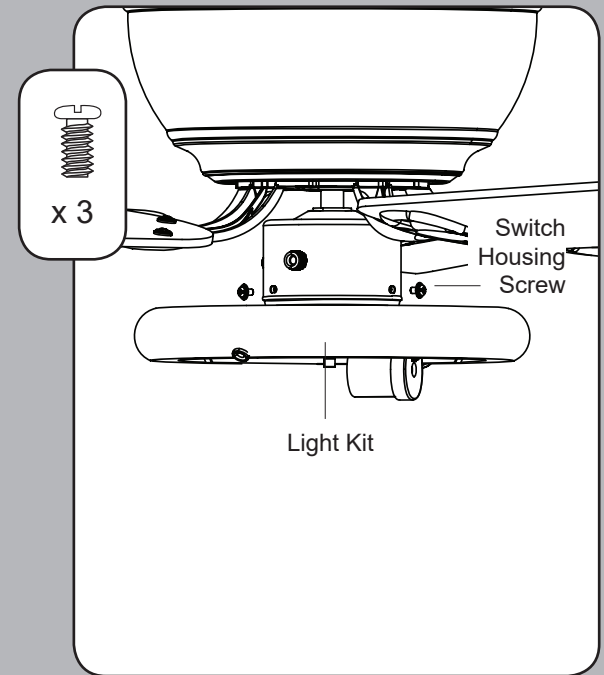
Remove the ten motor screws from the underside of the motor. Then, install the blade arm to the underside of the motor assembly with the ten previously removed motor screws.

***To install the fan without the light kit, skip to page 9.***



### 8. Connect light kit wiring.

Remove the three switch housing screws from the top of the light kit. Then connect the single-pin connector from the switch housing to the single-pin connector from the light kit -- white to white and blue to black.

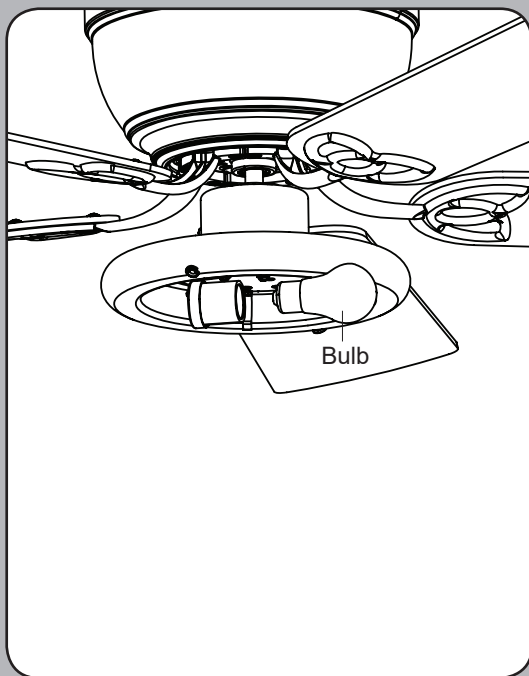


### 9. Attach light kit to switch housing.

Secure the light kit to the switch housing using the previously removed switch housing screws.

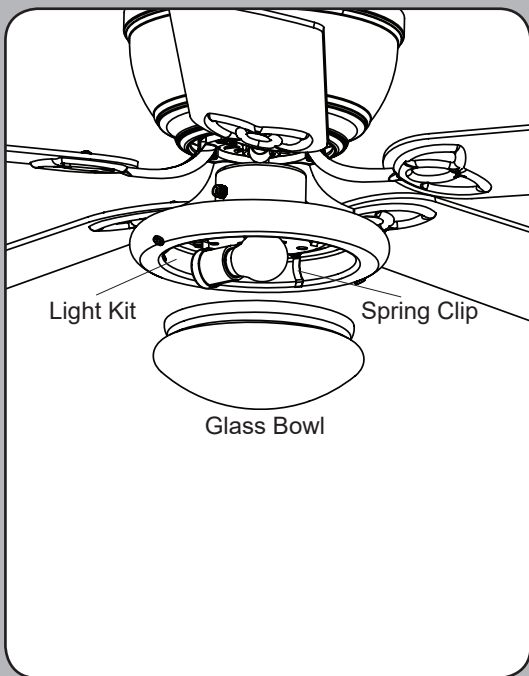


## ASSEMBLY INSTRUCTIONS



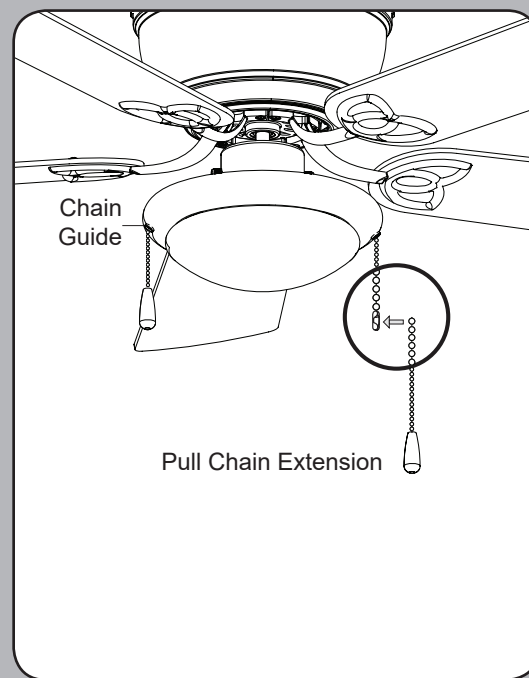
### 10. Install the two E26-base LED bulbs.

**Important:** When replacing bulbs, allow bulbs and light kit to cool before touching.



### 11. Install glass bowl.

Attach the glass bowl by inserting the three spring clips inside the neck of the glass bowl and firmly push the glass bowl up until it is secured to the light kit. **Note:** The glass bowl will snap into place once installed properly.

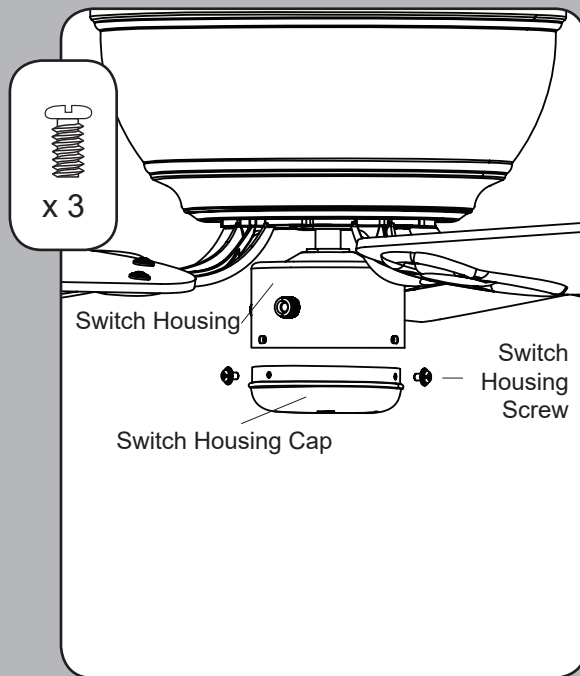


### 12. Attach pull chain extensions.

Feed the pull chains down through the chain guides in the light kit and attach the pull chain extensions.

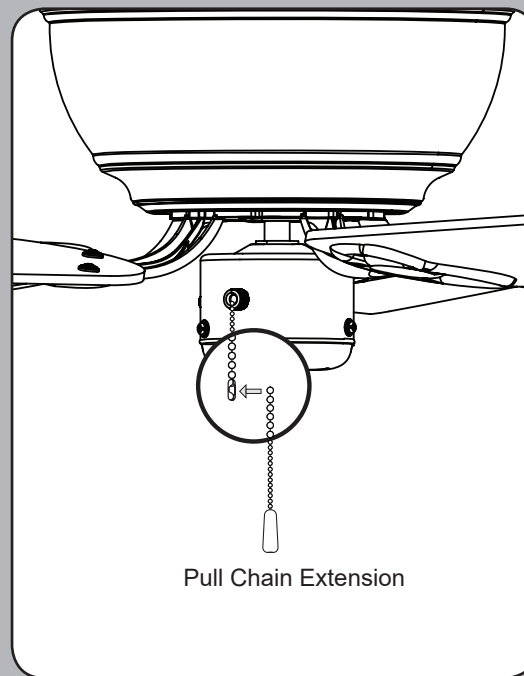
**Assembly is complete. Turn on power to fan at breaker box and the wall switch.**

## INSTALLATION WITHOUT LIGHT KIT (optional)



### 1. Install switch housing cap to switch housing.

Remove the three switch housing screws from the top of the light kit. Attach the switch housing cap to the switch housing using the three switch housing screws. Then, install the plug button into the center hole of the switch housing cap.

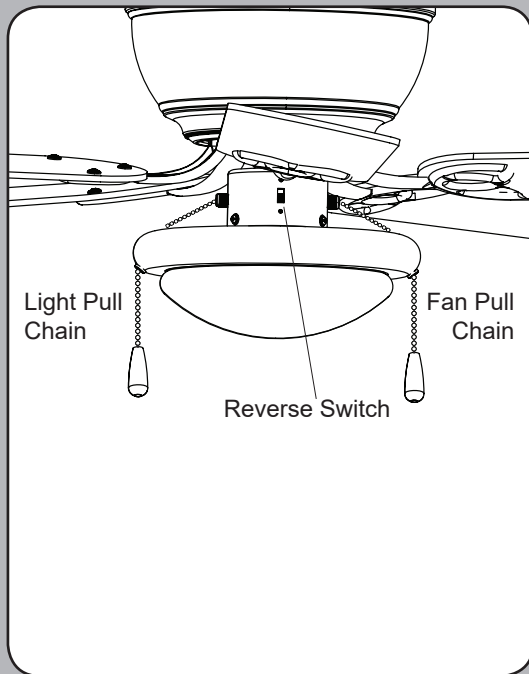


### 2. Attach pull chain extension.

When facing the reverse switch, the light pull chain will be on the left and the fan pull chain will be on the right.

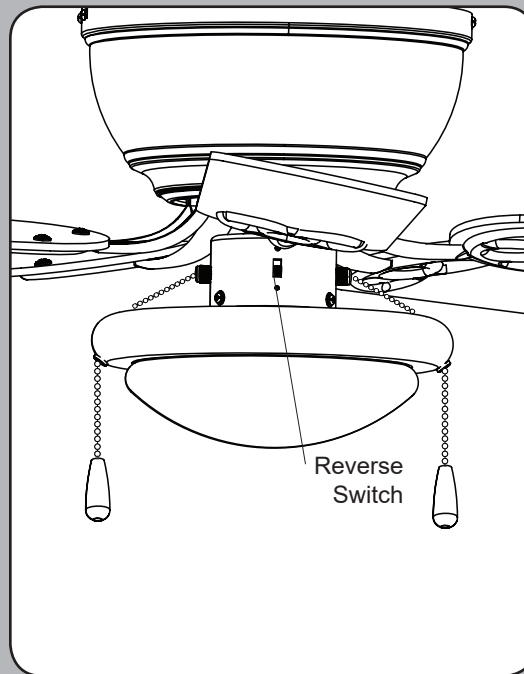
**Note:** When installing without a light kit, the pull chain for the light will not be installed.

## OPERATING INSTRUCTIONS



### 1. Pull chain operation.

When facing the reverse switch, the light pull chain will be on the left and the fan pull chain will be on the right. When installing without a light kit, the pull chain for the light will not be installed.



### 2. Reverse switch operation.

Use the fan reverse switch, located on the switch housing to optimize your fan for seasonal performance.

Using a ceiling fan will allow you to raise your thermostat setting in summer and lower your thermostat setting in winter without feeling a difference in your comfort.

**Note:** Wait for the fan to stop before moving the reverse switch.


**In warmer weather,** push the reverse switch down which will result in downward airflow creating a wind chill effect.


**In cooler weather,** push the reverse switch up which will result in upward airflow that can help move stagnant, hot air off the ceiling area.


## SAFETY INFORMATION


Please read and understand this entire manual before attempting to assemble, operate or install the product.


- Before you begin installing the fan, disconnect the power by removing fuses or turning off the circuit breakers.
- Make sure all electrical connections comply with local codes, ordinances, the National Electrical Code and ANSI/NFPA 70-199. Hire a qualified electrician or consult a do-it-yourself wiring handbook if you are unfamiliar with installing electrical wiring.
- Make sure the installation site you choose allows a minimum clearance of 7 ft. from the blades to the floor and at least 30 in. from the end of the blades to any obstruction.
- The net weight of this fan is: 15.20 lbs.


 **DANGER:** When using an existing outlet box, make sure the outlet box is securely attached to the building structure and can support the full weight of the fan. Failure to do this can result in serious injury or death. The stability of the outlet box is essential in minimizing wobble and noise in the fan after installation is complete.


 **WARNING:** To avoid personal injury, the use of gloves may be necessary while handling fan parts with sharp edges.

 **WARNING:** Using a full-range dimmer switch to control fan speed will cause a loud humming noise from the fan. To reduce the risk of fire or electric shock, do NOT use a full-range dimmer switch to control the fan speed.

 **WARNING:** To reduce the risk of fire, electric shock or personal injury, mount the fan to an outlet box marked “ACCEPTABLE FOR FAN SUPPORT” and use the mounting screws provided with the outlet box. Most outlet boxes commonly used for the support of lighting fixtures are not acceptable for fan support and may need to be replaced. Consult a qualified electrician if in doubt. Secure the outlet box directly to the building structure. The outlet box and its support must be able to support the moving weight of the fan (at least 35 lbs.).

 **WARNING:** To reduce the risk of fire, electric shock or personal injury, wire connectors provided with this fan are designed to accept only one 12-gauge house wire and two lead wires from the fan. If your house wire is larger than 12-gauge and/or there is more than one house wire to connect to the two fan lead wires, consult an electrician for the proper size wire connectors to use.

 **WARNING:** To reduce the risk of fire, electric shock or personal injury, do not bend the blade arms when installing them, balancing the blades or cleaning the fan. Do not insert objects between the rotating fan blades.

 **WARNING:** To reduce the risk of personal injury, use only parts provided with this fan. The use of parts OTHER than those provided with this fan will void the warranty.

**CAUTION:** Be sure the outlet box is properly grounded or a ground (green or bare) wire is present.

**CAUTION:** Carefully check all screws, bolts, and nuts on the fan assembly ensure they are secured.

## CARE AND MAINTENANCE

At least twice each year, lower the canopy to check the downrod assembly and tighten all screws on the fan. Clean the motor housing with only a soft brush or lint-free cloth to avoid scratching the finish. Clean the blades with a lint-free cloth.

**Important:** Shut off the main power supply before you begin any maintenance task. Do NOT use water or a damp cloth to clean the fan.

## TROUBLESHOOTING

PROBLEM	CORRECTIVE ACTION
The fan does not move.	<ol style="list-style-type: none"><li>1. Firmly push the reverse switch completely up or down.</li><li>2. Make sure the wall switch is turned on.</li><li>3. Ensure power is on at wall switch and breaker box</li><li>4. Turn the power off and check all wire connections at the ceiling outlet box.</li></ol>
The fan is noisy.	<ol style="list-style-type: none"><li>1. Check and tighten all screws that hold the fan blades to the blade arms and motor.</li><li>2. Replace any blade that is cracked or damaged.</li><li>3. Do not use a variable-speed wall control to control the fan speed.</li><li>4. Ensure the outlet box is securely mounted to the building structure.</li><li>5. Ensure the mounting bracket is securely mounted to the outlet box.</li></ol>
The fan wobbles excessively.	<ol style="list-style-type: none"><li>1. Tighten all screws that hold the fan blades to the blade arms and blade arms to motor.</li><li>2. Switch one blade with a blade from the opposite side. Or balance the fan using the blade balancing kit.</li><li>3. Turn off power. Loosen the canopy and verify that the mounting bracket is secure to the electrical outlet box. The mounting bracket must be flush without movement against the outlet box.</li><li>4. Use a longer downrod or move the fan to another location if the fan is too close to the ceiling.</li><li>5. Ensure the mounting bracket is securely mounted to the outlet box.</li><li>6. Tighten the set screws in the yoke.</li></ol>
The fan operates correctly but the lights are not working.	<ol style="list-style-type: none"><li>1. Install new bulbs.</li><li>2. Ensure the single-pin connectors from the switch housing to the light kit are connected properly.</li><li>3. Turn the power off and check all wire connections between the fan and outlet box.</li></ol>

## LIFETIME LIMITED WARRANTY

The manufacturer warrants this fan to be free from defects in workmanship and materials present at time of shipment from the factory for a lifetime from the date of purchase by the original purchaser. The retailer also warrants that all other fan parts, excluding any glass or acrylic blades, to be free from defects in workmanship and material at the time of shipment from the factory for a period of one year after the date of purchase by the original purchaser. The manufacturer agrees to correct such defects without charge or at its option replace the ceiling fan with a comparable or superior model.

To obtain warranty service, present a copy of the receipt as proof of purchase. All costs of removing and reinstalling the product are your responsibility. Any damage to any part such as by accident or misuse or improper installation or by affixing any accessories, is not covered by this warranty. The manufacturer assumes no responsibility whatsoever for fan installation during the limited lifetime warranty. Any service performed by an unauthorized person will render the warranty invalid.

Due to varying climate conditions, this warranty does not cover any changes in brass finish, including rusting, pitting, corroding, tarnishing or peeling. Brass finishes of this type give their longest useful life when protected from varying weather conditions. Any glass provided with this fan is not covered by the warranty.

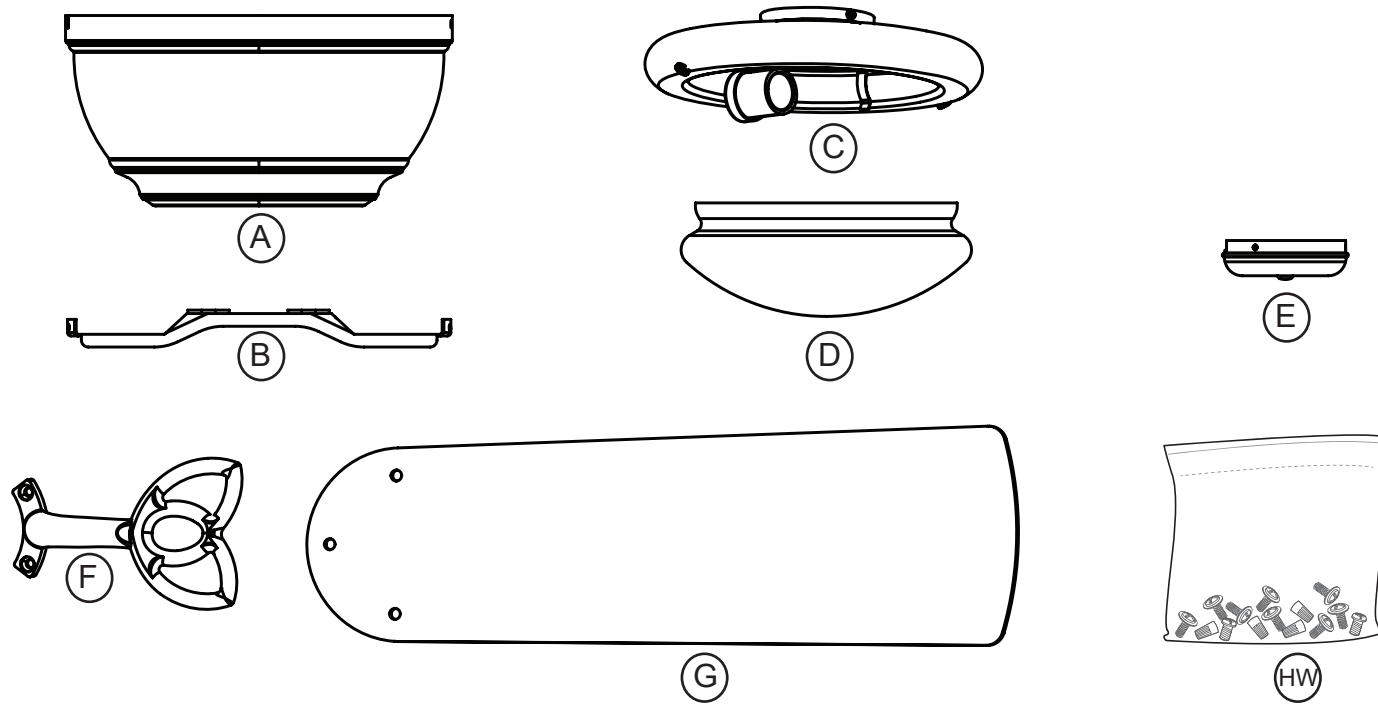
Any replacement of defective parts from the ceiling fan must be reported within the first year from the date of purchase. For the balance of the warranty, call our customer service department for return authorization and shipping instructions so that we may repair or replace the ceiling fan. Any fan or parts returned improperly is the sole responsibility of the purchaser. There is no other expressed warranty. The manufacturer disclaims any and all warranties. The duration of any implied warranty which cannot be disclaimed is limited to the time period as specified in the expressed warranty. The manufacturer shall not be liable for incidental, consequential, or special damages arising out of or in connection with product use or performance except as may otherwise be accorded by law. This warranty gives specific legal rights, and you may also have other rights which vary from state to state.

This warranty supersedes all prior warranties.

**Note:** A small amount of “wobble” is normal and should not be considered a defect.

## REPLACEMENT PARTS LIST

For replacement parts, call our customer service department at 1-877-706-3267, Monday - Thursday, 8am - 6pm, Friday 8am - 5 pm, EST.



		50850	50851	50852	50853
A	Motor Housing	4L000007740	4L000007750	4A000009480	4A000009490
B	Mounting Bracket	4L000007760	4L000007770	4L000009280	4L000007770
C	Light Kit	4A000009390	4A000009410	4A000009420	4A000009430
D	Glass Bowl	4A160620001	4A160620001	4A160620001	4A160620001
E	Switch Housing Cap	4A000005080	4A000005090	4A000009510	4A000009520
F	Blade Arm	4A071890006	4A071890007	4A071890012	4A071890013
G	Blade	4A084360001	4A084360002	4A084360003	4A084360004
HW	Hardware Bag	4A000009460	4A000009470	4A000009440	4A000009450