

San Martin  
52"

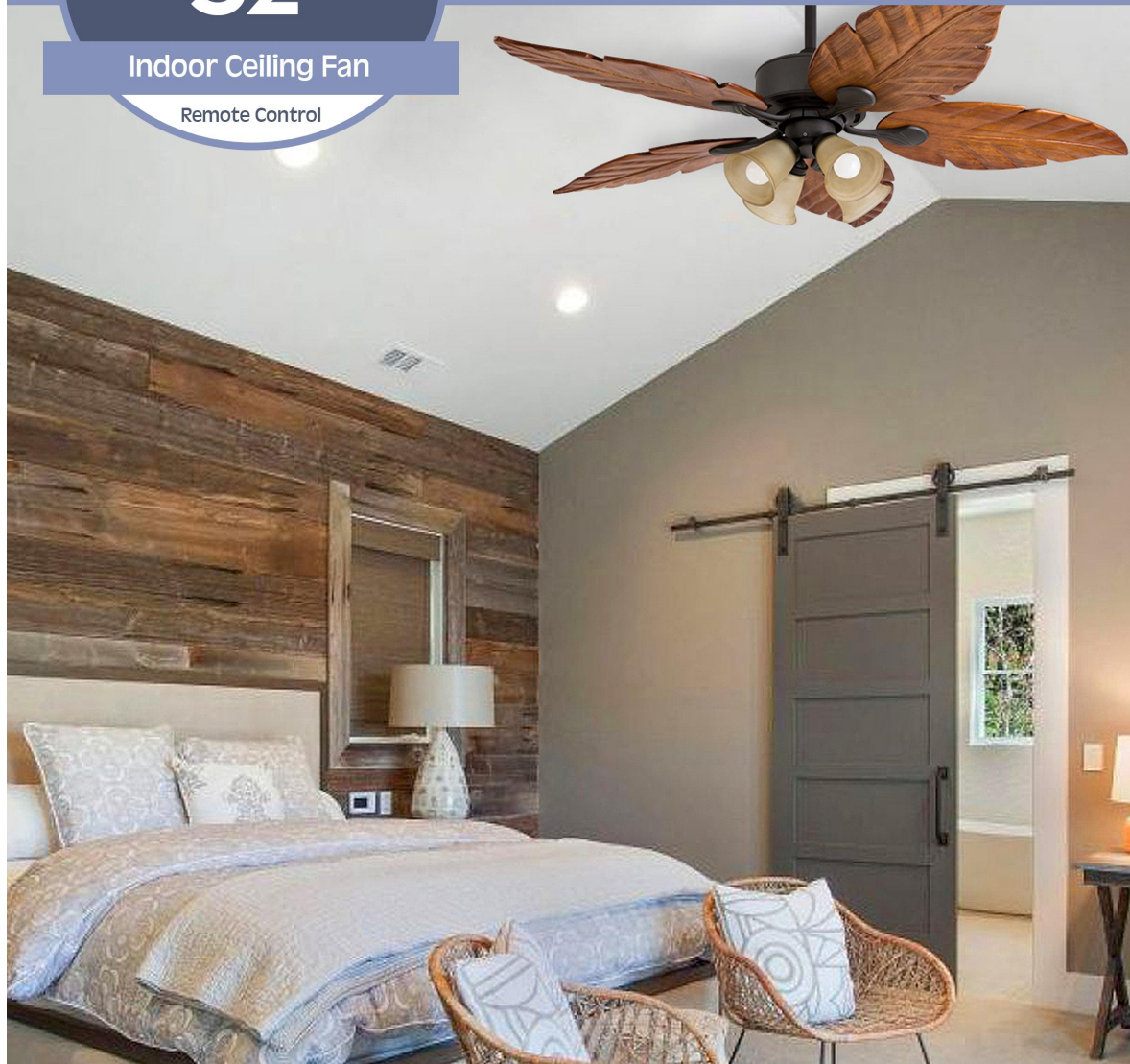
Indoor Ceiling Fan

Remote Control

PROMINENCE HOME

# OWNER'S MANUAL

#41301



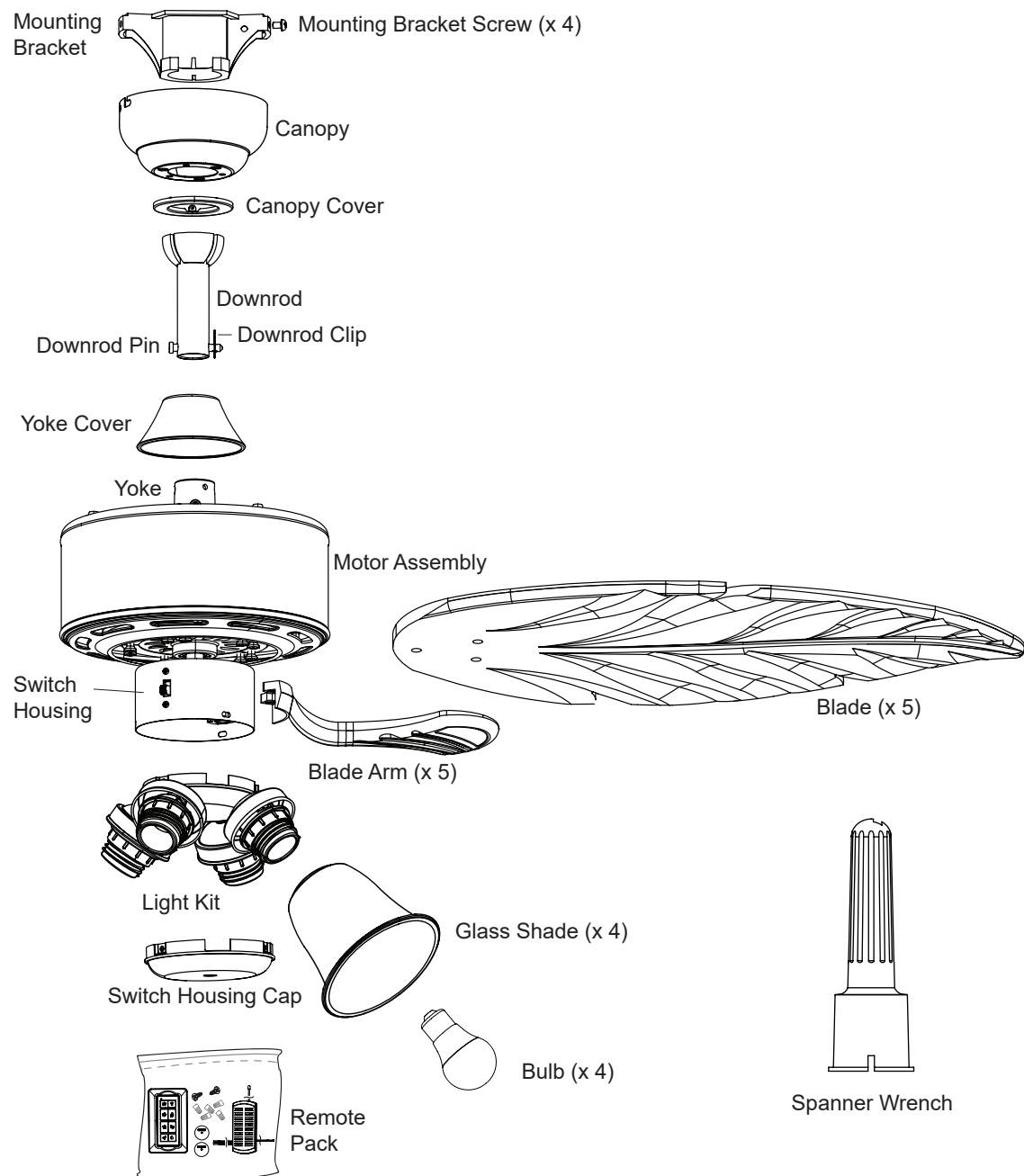
If a problem cannot be remedied or you are experiencing difficulty in installation, please contact the service department.

1-877-459-3267  
8 a.m. - 5 p.m Central, Monday-Friday



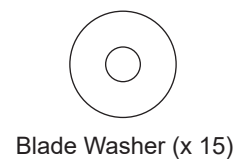
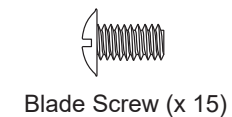
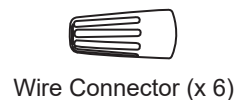
**Keeping You Cool Is What We Do Best!**

## PACKAGE CONTENTS



## HARDWARE CONTENTS

(not drawn to scale)



**Note:** Some extra hardware has been included. The quantity listed above is the number required for installation.

## TABLE OF CONTENTS

Package Contents . . . . .	2
Preparation . . . . .	3
Initial Installation . . . . .	5
Downrod or Angle Mounting . . . . .	6
Final Installation. . . . .	8
Installation Without Light Kit . . . . .	11
Operating Instructions . . . . .	12
Safety Information . . . . .	14
Care and Maintenance . . . . .	15
Troubleshooting . . . . .	16
Warranty . . . . .	17
Replacement Parts List . . . . .	18

## PREPARATION

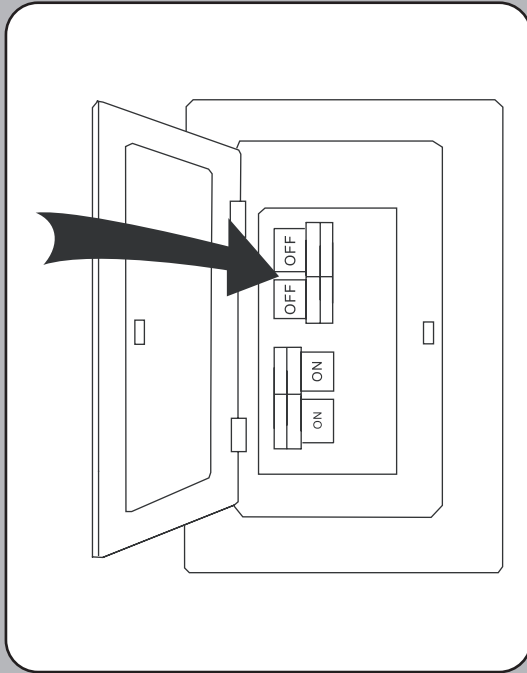
Before beginning the assembly of this product, ensure all parts are present. Compare all parts with the package contents list and hardware contents list. If any part is missing or damaged, do not attempt to assemble the product.

**Estimated Assembly Time:** 120 minutes

Tools required for assembly (not included): Electrical tape, Phillips Screwdriver, Pliers, Safety Glasses, Step Ladder, and Wire Strippers

Helpful Tools (not included): AC Tester Light, Tape Measure, Wiring Handbook and Wire Cutters

## PREPARATION



### 1. Turn off power.

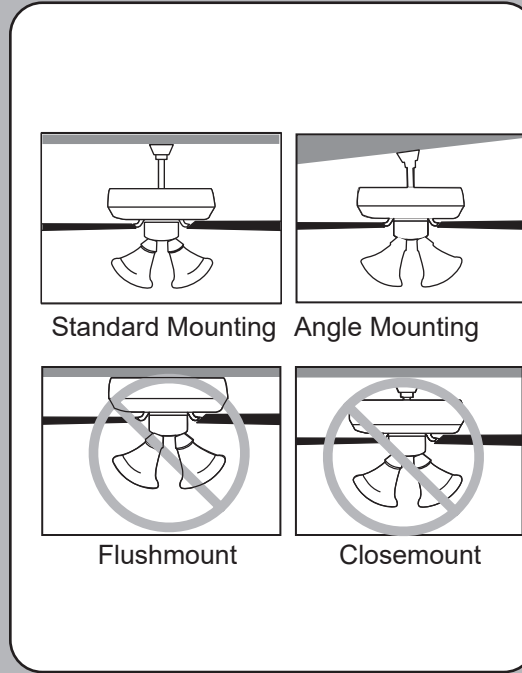
Turn off the power to the fan at the breaker box and the wall switch.



Failure to disconnect the power supply prior to installation may result in serious injury or death.



See page 15 for complete description of cautions and warnings.



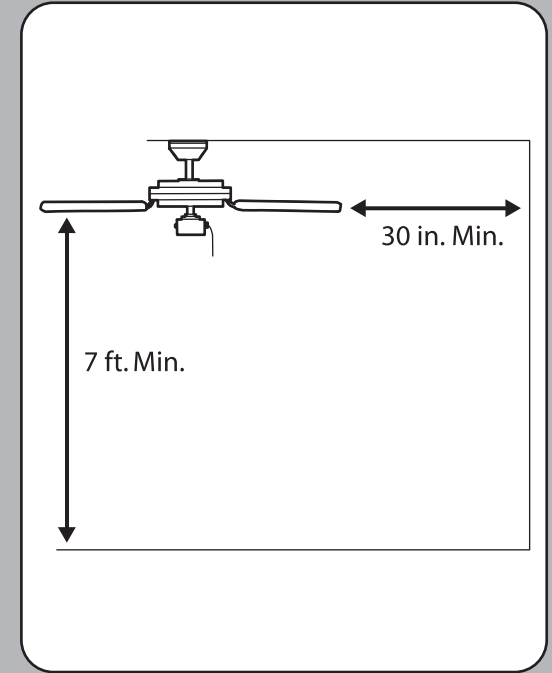
### 2. Choose mounting option.

**Standard Mounting** is best suited for ceilings 8 ft. or higher. For very high ceilings, use a longer downrod (not included).

**Angle Mounting** is best suited for angled or vaulted ceilings. A longer downrod is sometimes necessary to ensure proper blade clearance. Ensure the ceiling angle is not steeper than 10 degrees.

**Flushmount** installation is not available for this item.

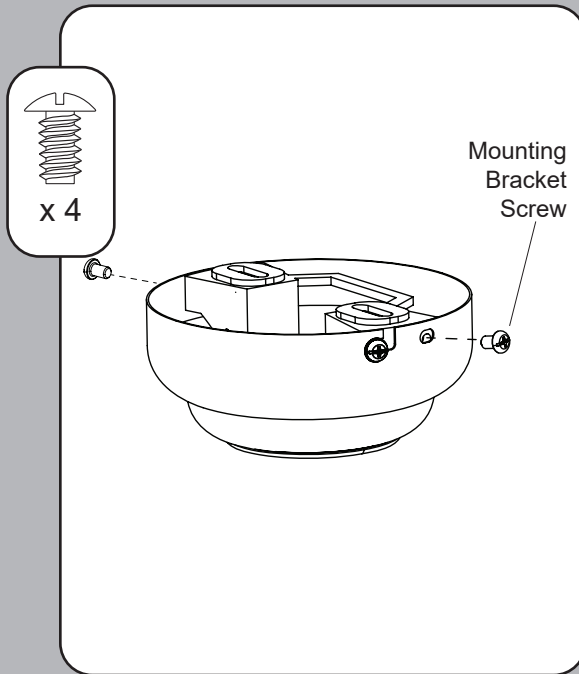
**Closemount** installation is not available for this item.



### 3. Choose suitable location.

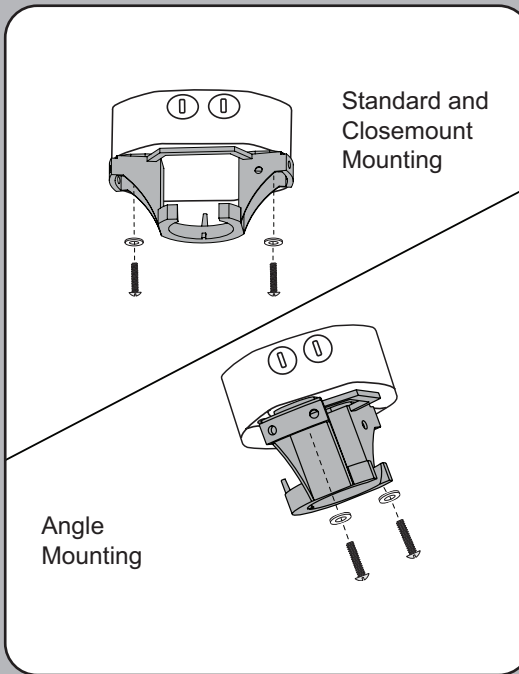
Ensure the blades will be at least 30 inches from any obstructions. Also check the downrod length to ensure the blades will be at least 7 feet above the floor.

## INITIAL INSTALLATION



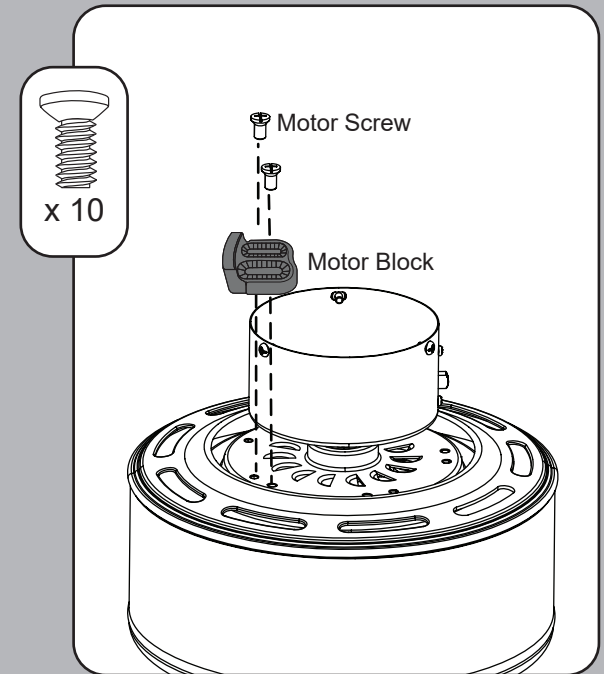
### 1. Remove the mounting bracket.

Loosen all four mounting bracket screws and completely remove the two screws from the round holes in the canopy. Set them aside for later use. Then, remove the mounting bracket from the canopy.



### 2. Install the mounting bracket.

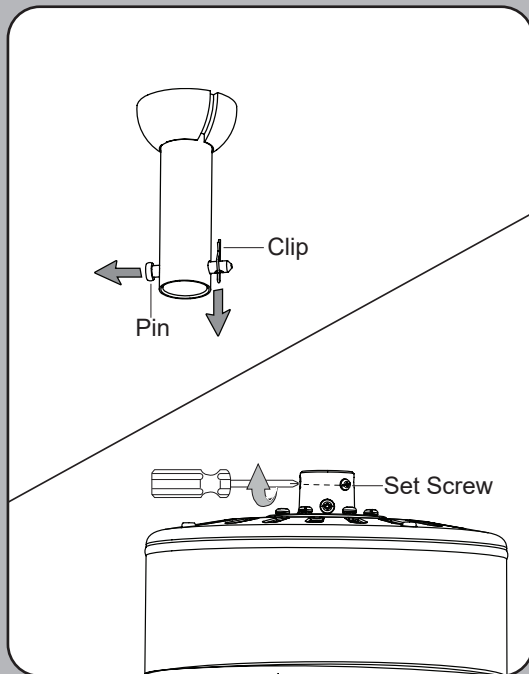
Install the mounting bracket to the outlet box (sold separately) using the screws and washers provided with the outlet box.



### 3. Remove the motor blocks.

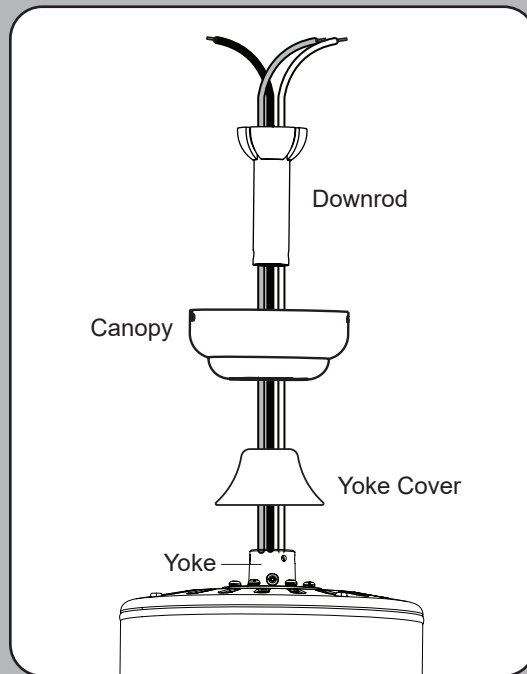
Remove the ten motor screws and five motor blocks from the underside of the motor. Keep the motor screws for later, but discard the motor blocks.

## DOWNROD OR ANGLE MOUNTING

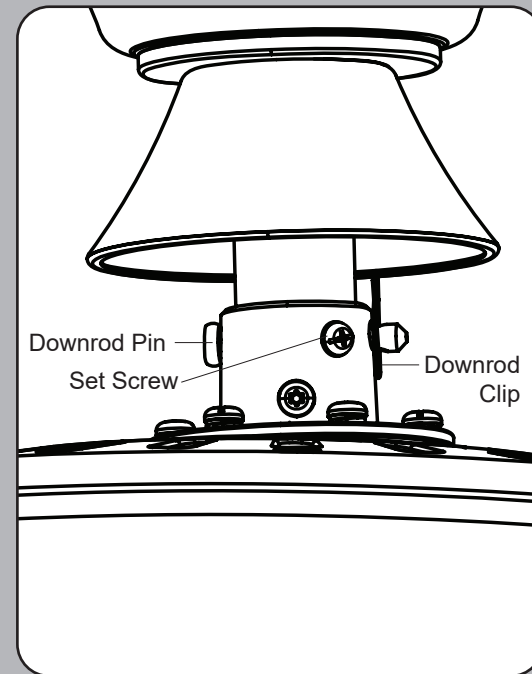


### 1. Loosen set screws and remove pin and clip.

Remove the clip and pin from the downrod. Then partially loosen the two set screws in the yoke at the top of the motor assembly.



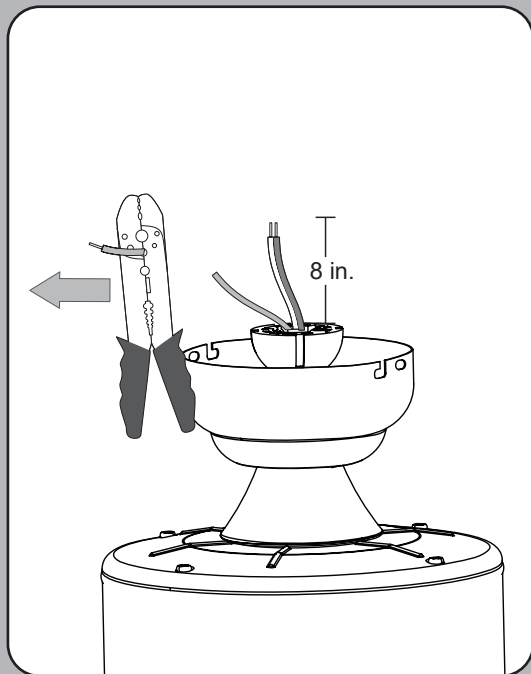
### 2. Feed the wires through the yoke cover, canopy, and downrod.



### 3. Install the downrod.

Slide the downrod into the yoke at the top of the motor assembly. Align the holes, and reinstall the downrod pin and downrod clip. Then tighten both set screws.

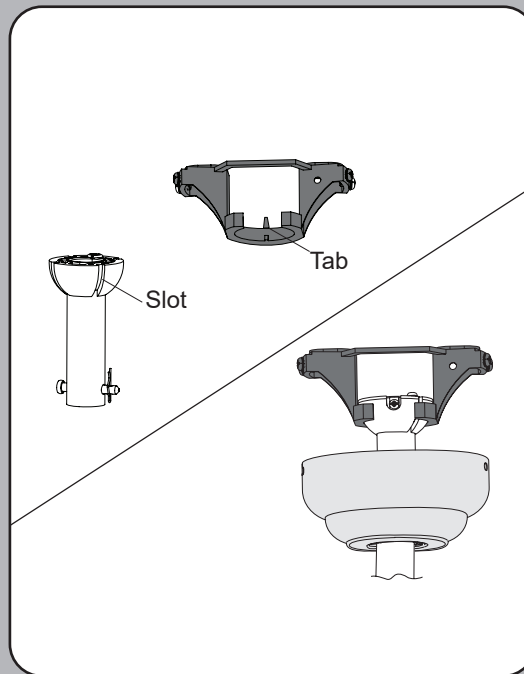
## DOWNROD OR ANGLE MOUNTING



### 4. Trim fan wires.


Depending on the length of downrod you use, you may want to cut the fan wires to simplify wiring. After pulling the wires all the way through the downrod, measure 8 inches of wire. Cut off the excess wire using wire cutters (not included).

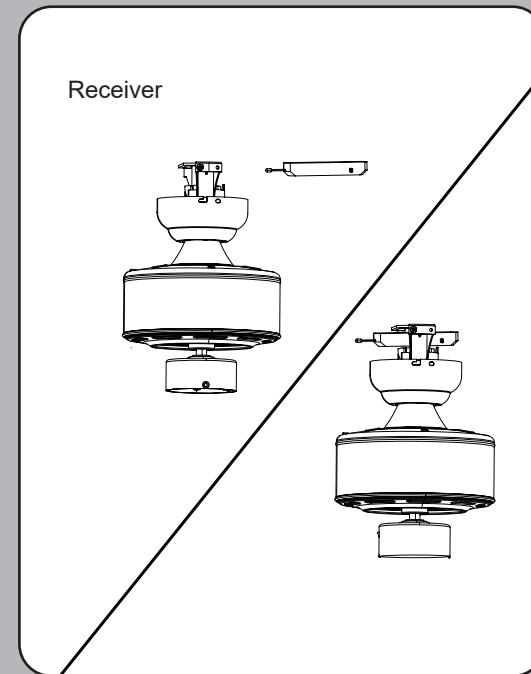
Then, strip 1/2 inch of insulation from the end of each wire. Twist the stripped ends of each wire strand.



### 5. Hang downrod in mounting bracket.

Install the ball end of the downrod into the opening of the mounting bracket. Align the slot in the ball with the tab on the mounting bracket.

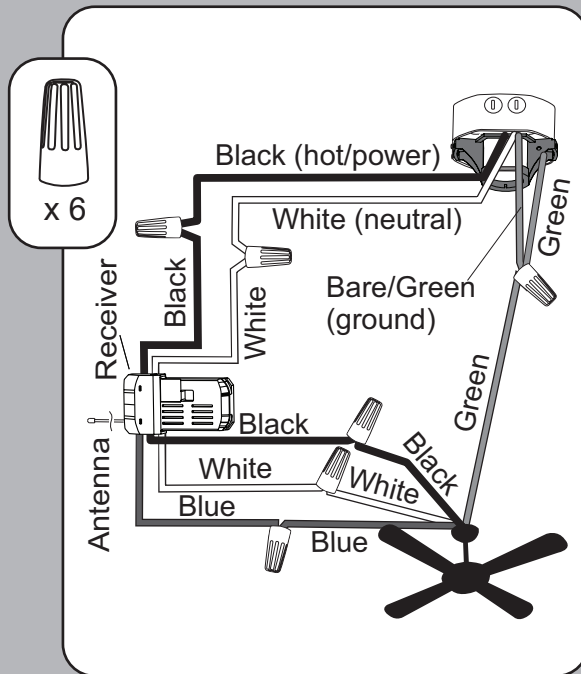
 Failure to align the slot in the ball with the tab on the mounting bracket may cause the fan to fall, which could result in injury or death.



### 6. Insert the receiver.

Place the receiver in the mounting bracket with the flat side facing up. **Note:** The receiver will rest on top of the downrod.


## FINAL INSTALLATION

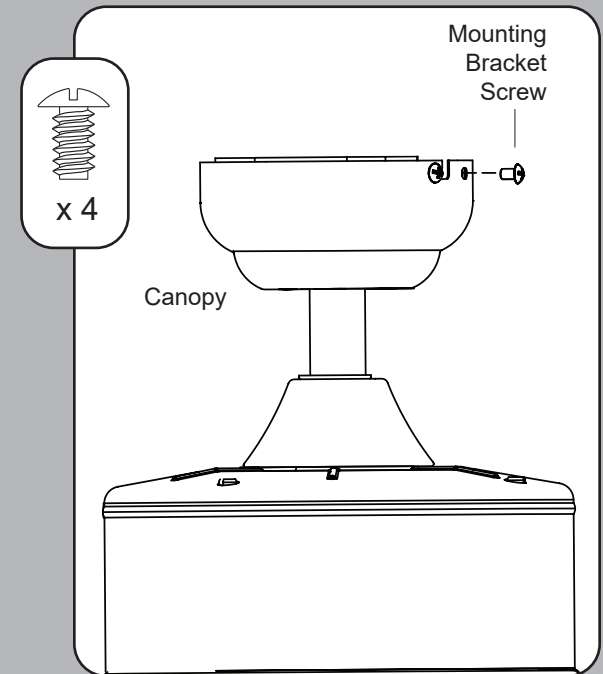


### 1. Wire the fan.

Use wire connectors to connect the receiver and fan wires to the supply wires from outlet box according to the wiring diagram and the following instructions:

- Connect the blue wire (FOR LIGHT) from receiver to blue wire from fan.
- Connect the black wire (TO MOTOR L) from receiver to black wire from fan.
- Connect the black wire (AC IN L) from receiver to black (hot/power) supply wire.
- Connect the white wire (AC IN N) from receiver to white (neutral) supply wire.
- Connect the white wire (TO MOTOR N) from receiver to white wire from the fan.
- Connect the green wires from the fan and mounting bracket to the bare/green (ground) supply wire.

 After the connections have been made, the connected wires should be turned upward and pushed carefully up into the outlet box. Place the black and white wire connections on opposite sides of the outlet box.



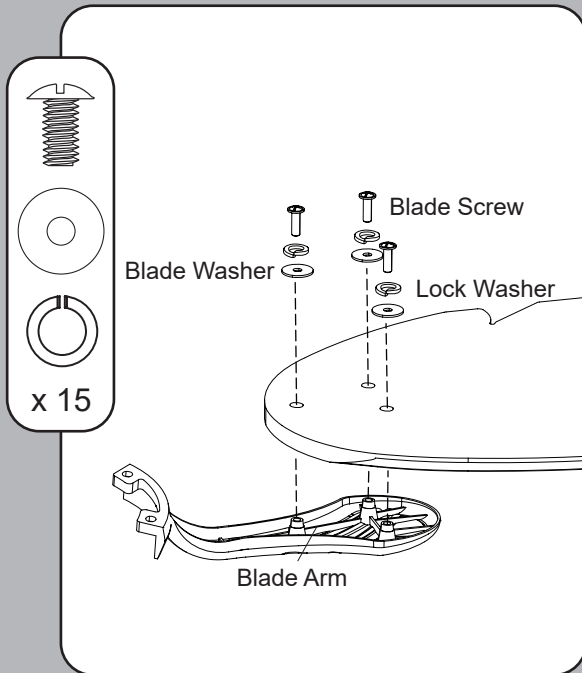
### 2. Re-install the canopy to the mounting bracket.

Align the canopy over the loosened mounting bracket screws preassembled to the mounting bracket. Place the J-slot of the canopy onto the mounting bracket screws and rotate clockwise.

Then, re-install the two previously removed mounting bracket screws into the round holes of the canopy. Tighten all four mounting bracket screws.

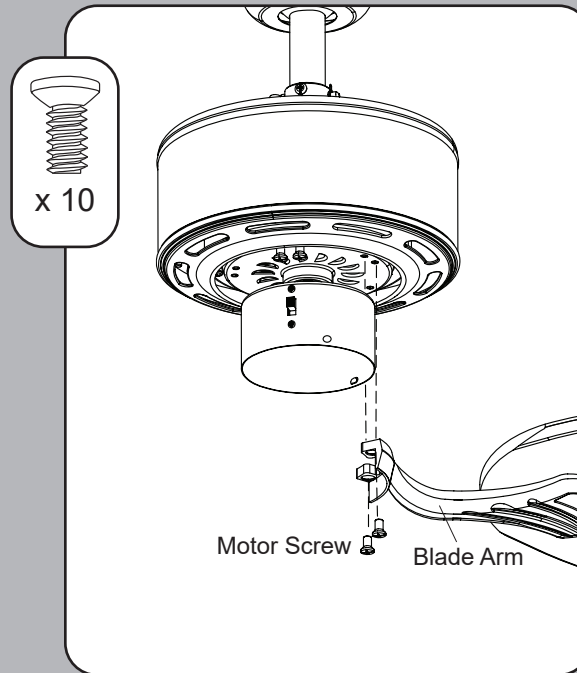


## FINAL INSTALLATION



### 3. Attach the blades to blade arms.

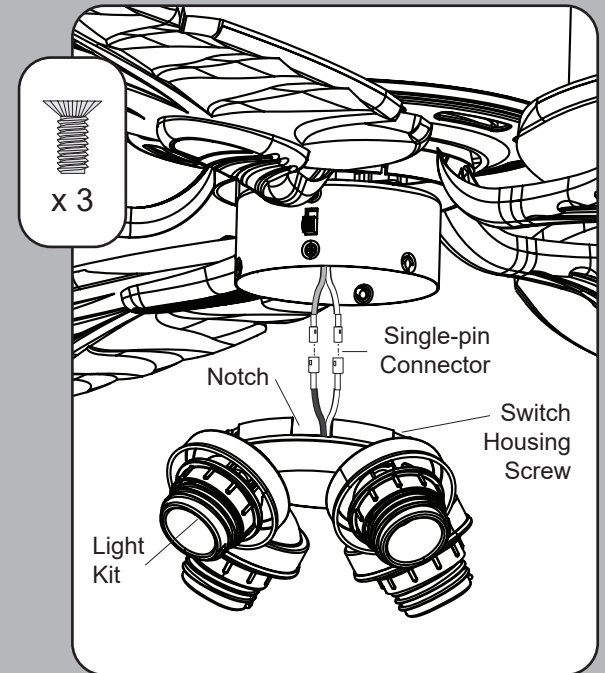
Partially insert blade screw along with lock washer and blade washer through one blade and into one blade arm. Tighten each blade screw, starting with the one in the middle. Repeat this step for the remaining blades and blade arms.



### 4. Attach blade arms to motor.

Install the blade arm to the underside of the motor assembly with the ten previously removed motor screws.

**Note:** To install fan without light kit, skip to page 11.



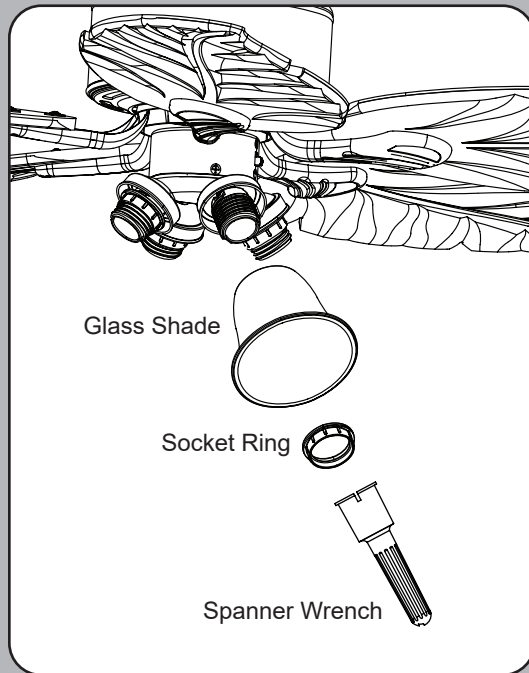
### 5. Connect light kit wires and attach light kit.

Remove the three switch housing screws from the top edge of the light kit. Then, connect the single-pin wire connectors from the fan to the light kit -- blue to blue and white to white. Ensure the connectors are secure.

Then attach the light kit to the switch housing using the switch housing screws.

**Note:** Align the notch in the light kit with the reverse switch on the fan.

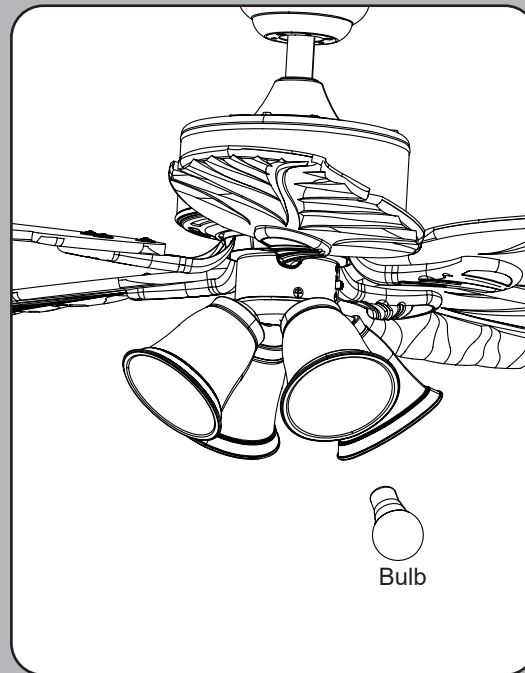
## FINAL INSTALLATION



### 6. Install the glass shades.

Remove the socket ring from the socket. Attach glass shades to socket and secure with socket rings using the spanner wrench.

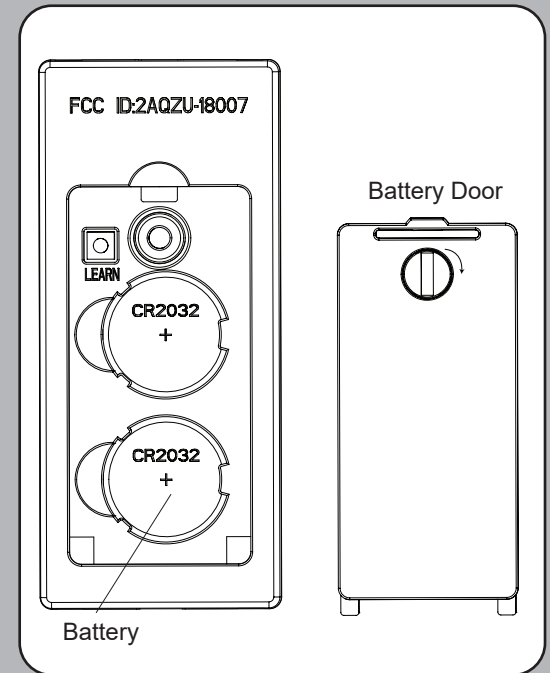
**Note:** Do not overtighten socket rings as glass may crack or break.



### 7. Install the bulbs.

Install the E26-base LED bulbs into the sockets of the light kit.

**Important:** When you need to replace bulbs, please allow bulbs and light kit to cool down before touching the bulbs or the light kit.



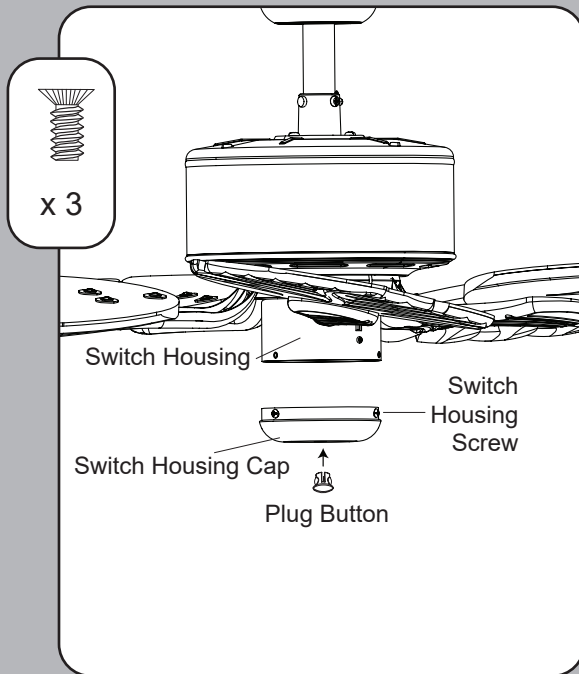
### 8. Install the battery in remote.

Use a flat-head screwdriver to remove the battery door from the back of the remote from remote pack and insert the CR2032 batteries. Replace the battery door. If battery is installed correctly, the LED indicator on the front of the remote transmitter should illuminate when any button is pushed.

**Installation is complete. Turn on power to the fan.**

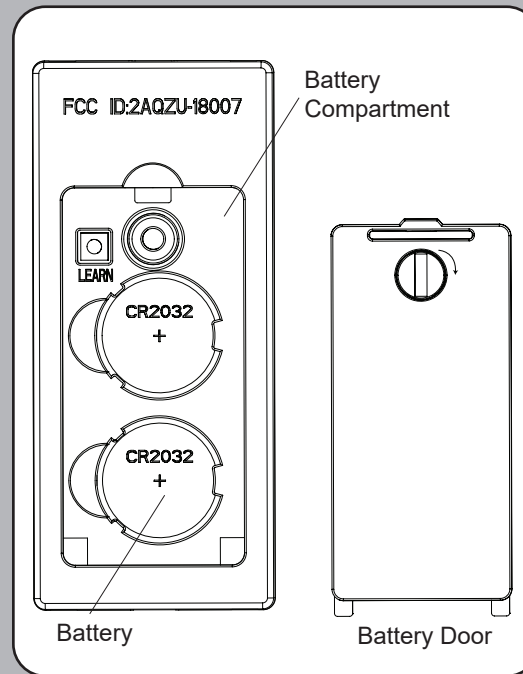
**Skip to OPERATING INSTRUCTIONS, p. 12.**

## INSTALLATION WITHOUT LIGHT KIT (optional)



### 1. Install switch housing cap to switch housing.

Remove the three switch housing screws from the top edge of the light kit. Attach the switch housing cap to the switch housing using the three switch housing screws. Then, install the plug button into the center hole of the switch housing cap.

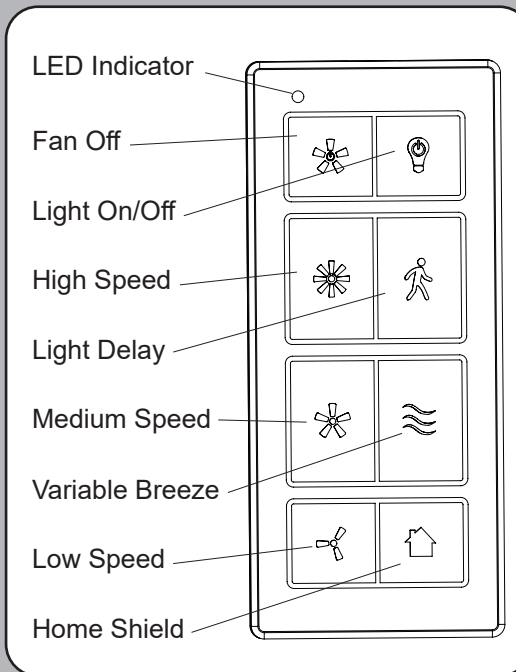


### 2. Install the battery in remote.

Use a flat-head screwdriver to remove the battery cover from the back of the remote from remote pack and insert the CR2032 batteries. Replace the battery cover. If battery is installed correctly, the LED indicator on the front of the remote transmitter should illuminate when any button is pushed.

**Installation is complete. Turn on power to the fan.**

## OPERATING INSTRUCTIONS



### 1. Remote Functions

To control the fan using the remote press and release the following buttons:

**Fan Off** - Turns the power to fan off.

**Light On/Off** - Turns the light on and off. Press and hold to dim or brighten lights (for dimmable bulbs only).

**High Speed** - Turns on fan at high speed.

**Light Delay** - Light stays on for 60 seconds to allow for safe exit from room. Tap Light Delay once to activate. Fan light blinks once to confirm Light Delay is active. Press any button to cancel.

**Medium Speed** - Turns on fan at medium speed.

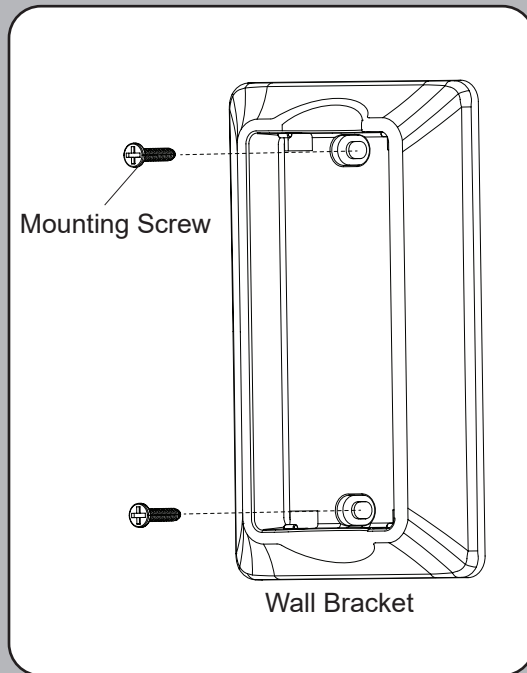
**Variable Breeze** - Simulates a breeze in nature. Press and hold button to activate. Press any fan speed button to cancel.

**Low Speed** - Turns on fan at low speed.

**Home Shield™** - Simulates occupancy while away from home. Fan remains off and the light randomly turns on for a minimum of five times and a maximum of 20 minutes. The light remains off for 60 minutes between events. Press and hold button to activate. Light will blink twice to confirm Home Shield is active. Press any button to cancel.

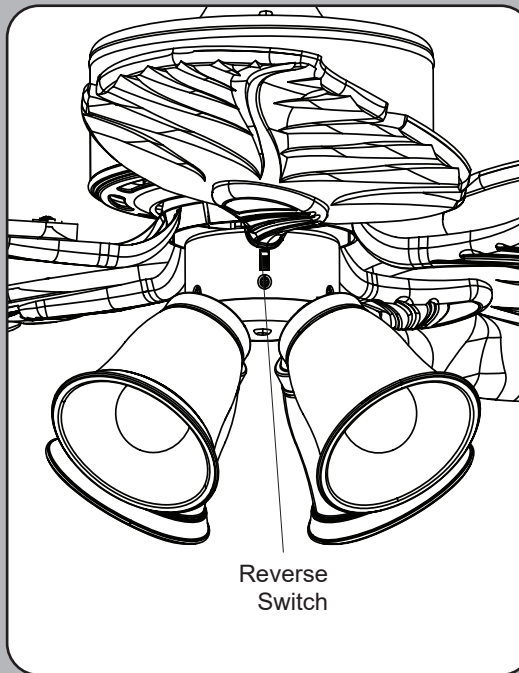
**LED indicator** - should illuminate when any remote button is pressed. If not, replace the DC3V, CR2032 batteries.

## OPERATING INSTRUCTIONS



### 2. Install wall bracket.

If desired, install the wall bracket to the wall using the two mounting screws from the remote pack. Store the remote in the wall bracket when not in use.



### 3. Reverse Switch Operation

Use the fan reverse switch, located on the switch housing to optimize your fan for seasonal performance.

Using a ceiling fan will allow you to raise your thermostat setting in summer and lower your thermostat setting in winter without feeling a difference in your comfort.

**Note:** Wait for the fan to stop before moving the reverse switch.

**In warmer weather,** push the reverse switch down which will result in downward airflow creating a wind chill effect.

**In cooler weather,** push the reverse switch up which will result in upward airflow that can help move stagnant, hot air off the ceiling area.

## SAFETY INFORMATION

Please read and understand this entire manual before attempting to assemble, operate or install the product.

- Before you begin installing the fan, disconnect the power by removing fuses or turning off the circuit breakers.
- Make sure all electrical connections comply with local codes, ordinances, the National Electrical Code and ANSI/NFPA 70-199. Hire a qualified electrician or consult a do-it-yourself wiring handbook if you are unfamiliar with installing electrical wiring.
- Make sure the installation site you choose allows a minimum clearance of 7 ft. from the blades to the floor and at least 30 in. from the end of the blades to any obstruction.
- The net weight of this fan is: 18.85 lbs.

**⚠ DANGER:** When using an existing outlet box, make sure the outlet box is securely attached to the building structure and can support the full weight of the fan. Failure to do this can result in serious injury or death. The stability of the outlet box is essential in minimizing wobble and noise in the fan after installation is complete.

**⚠ WARNING:** To avoid personal injury, the use of gloves may be necessary while handling fan parts with sharp edges.

**⚠ WARNING:** Using a full-range dimmer switch to control fan speed will cause a loud humming noise from the fan. To reduce the risk of fire or electric shock, do NOT use a full-range dimmer switch to control the fan speed.

**⚠ WARNING:** To reduce the risk of fire, electric shock or personal injury, mount the fan to an outlet box marked "ACCEPTABLE FOR FAN SUPPORT" and use the mounting screws provided with the outlet box. Most outlet boxes commonly used for the support of lighting fixtures are not acceptable for fan support and may need to be replaced. Consult a qualified electrician if in doubt. Secure the outlet box directly to the building structure. The outlet box and its support must be able to support the moving weight of the fan (at least 35 lbs.).

**⚠ WARNING:** To reduce the risk of fire, electric shock or personal injury, wire connectors provided with this fan are designed to accept only one 12-gauge house wire and two lead wires from the fan. If your house wire is larger than 12-gauge and/or there is more than one house wire to connect to the two fan lead wires, consult an electrician for the proper size wire connectors to use.

**⚠ WARNING:** To reduce the risk of fire, electric shock or personal injury, do not bend the blade arms when installing them, balancing the blades or cleaning the fan. Do not insert objects between the rotating fan blades.

**⚠ WARNING:** To reduce the risk of personal injury, use only parts provided with this fan. The use of parts OTHER than those provided with this fan will void the warranty.

**CAUTION:** Be sure the outlet box is properly grounded or a ground (green or bare) wire is present.

**CAUTION:** Carefully check all screws, bolts, and nuts on the fan assembly ensure they are secured.

## SAFETY INFORMATION

**CAUTION:** This device complies with Part 15 of the FCC Rules. Operation is subject to the following two conditions: (1) this device may not cause harmful interference, and (2) this device must accept any interference received, including interference that may cause undesired operation.

**CAUTION:** This equipment has been tested and found to comply with the limits for a Class B digital device, pursuant to Part 15 of the FCC Rules. These limits are designed to provide reasonable protection against harmful interference in a residential installation. This equipment generates, uses and can radiate radio frequency energy and, if not installed and used in accordance with the instructions, may cause harmful interference to radio communications. However, there is no guarantee that interference will not occur in a particular installation. If this equipment does cause harmful interference to radio or television reception, which can be determined by turning the equipment off and on, the user is encouraged to try to correct the interference by one or more of the following measures:

- Reorient or relocate the receiving antenna.
- Increase the separation between the equipment and receiver
- Connect the equipment into an outlet on a circuit different from that to which the receiver is connected.
- Consult the dealer or an experienced radio/TV technician for help.

Please note changes or modifications not expressly approved by the party responsible for compliance could void the user's authority to operate the equipment.

HKC-US  
3350 Players Club Parkway #225  
Memphis, TN 38125  
1 (877) 706-3267

## CARE AND MAINTENANCE

At least twice each year, lower the canopy to check the downrod assembly and tighten all screws on the fan. Clean the motor housing with only a soft brush or lint-free cloth to avoid scratching the finish. Clean the blades with a lint-free cloth.

**Important:** Shut off the main power supply before you begin any maintenance task. Do NOT use water or a damp cloth to clean the fan.

## TROUBLESHOOTING

PROBLEM	CORRECTIVE ACTION
The fan does not move.	<ol style="list-style-type: none"> <li>1. Firmly push the reverse switch completely up or down.</li> <li>2. Make sure the wall switch is turned on.</li> <li>3. Ensure power is on at wall switch and breaker box</li> <li>4. Turn the power off and check all wire connections at the ceiling outlet box.</li> </ol>
The fan is noisy.	<ol style="list-style-type: none"> <li>1. Check and tighten all screws that hold the fan blades to the blade arms and motor.</li> <li>2. Replace any blade that is cracked or damaged.</li> <li>3. Do not use a variable-speed wall control to control the fan speed.</li> <li>4. Ensure the outlet box is securely mounted to the building structure.</li> <li>5. Ensure the mounting bracket is securely mounted to the outlet box.</li> </ol>
The fan wobbles excessively.	<ol style="list-style-type: none"> <li>1. Tighten all screws that hold the fan blades to the blade arms and blade arms to motor.</li> <li>2. Switch one blade with a blade from the opposite side. Or balance the fan using the blade balancing kit.</li> <li>3. Turn off power. Loosen the canopy and verify that the mounting bracket is secure to the electrical outlet box. The mounting bracket must be flush without movement against the outlet box.</li> <li>4. Use a longer downrod or move the fan to another location if the fan is too close to the ceiling.</li> <li>5. Ensure the mounting bracket is securely mounted to the outlet box.</li> <li>6. Tighten the set screws in the yoke.</li> </ol>
The fan operates correctly but the lights are not working.	<ol style="list-style-type: none"> <li>1. Install new bulbs.</li> <li>2. Ensure the single-pin connectors from the switch housing to the light kit are connected properly.</li> <li>3. Turn the power off and check all wire connections between the fan and outlet box.</li> </ol>
Remote control does not work.	<ol style="list-style-type: none"> <li>1. Syncing Instructions - Turn power to fan off for 10 seconds and then turn the power back on. Within 30 seconds, press the LEARN button (or the HIGH and LOW buttons) for 5 seconds. When syncing is complete, the fan will start on low speed with light (if applicable) off.</li> <li>2. Insert new CR2032 batteries in battery compartment of the remote control.</li> <li>3. If there are several fans in proximity, turn power off to other fans and re-sync the remote (see Corrective Action 1 above).</li> </ol>



## LIFETIME LIMITED WARRANTY

The manufacturer warrants this fan to be free from defects in workmanship and materials present at time of shipment from the factory for a lifetime from the date of purchase by the original purchaser. The retailer also warrants that all other fan parts, excluding any glass or acrylic blades, to be free from defects in workmanship and material at the time of shipment from the factory for a period of one year after the date of purchase by the original purchaser. The manufacturer agrees to correct such defects without charge or at its option replace the ceiling fan with a comparable or superior model.

To obtain warranty service, present a copy of the receipt as proof of purchase. All costs of removing and reinstalling the product are your responsibility. Any damage to any part such as by accident or misuse or improper installation or by affixing any accessories, is not covered by this warranty. The manufacturer assumes no responsibility whatsoever for fan installation during the limited lifetime warranty. Any service performed by an unauthorized person will render the warranty invalid.

Due to varying climate conditions, this warranty does not cover any changes in brass finish, including rusting, pitting, corroding, tarnishing or peeling. Brass finishes of this type give their longest useful life when protected from varying weather conditions. Any glass provided with this fan is not covered by the warranty.

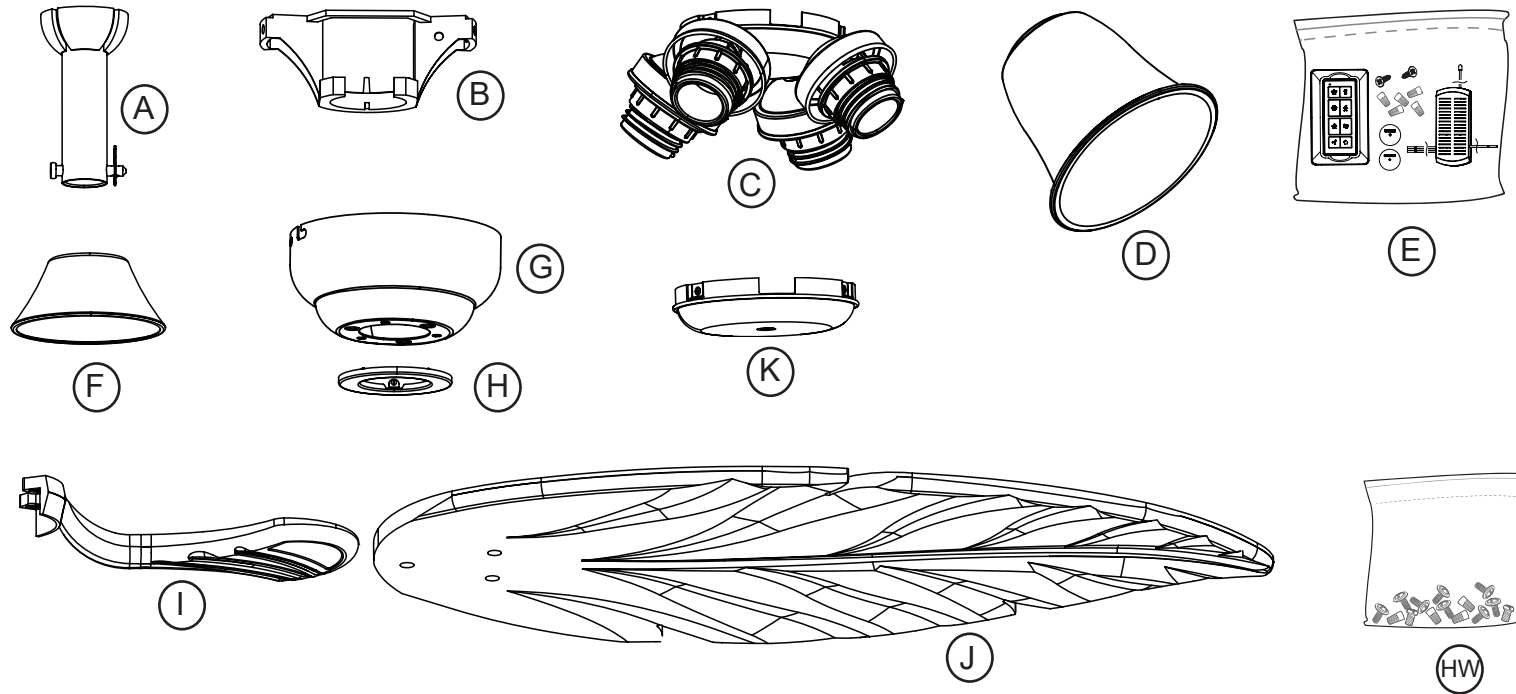
Any replacement of defective parts from the ceiling fan must be reported within the first year from the date of purchase. For the balance of the warranty, call our customer service department for return authorization and shipping instructions so that we may repair or replace the ceiling fan. Any fan or parts returned improperly is the sole responsibility of the purchaser. There is no other expressed warranty. The manufacturer disclaims any and all warranties. The duration of any implied warranty which cannot be disclaimed is limited to the time period as specified in the expressed warranty. The manufacturer shall not be liable for incidental, consequential, or special damages arising out of or in connection with product use or performance except as may otherwise be accorded by law. This warranty gives specific legal rights, and you may also have other rights which vary from state to state.

This warranty supersedes all prior warranties.

**Note:** A small amount of “wobble” is normal and should not be considered a defect.

## REPLACEMENT PARTS LIST

For replacement parts, call Customer Service at 1-877-706-3267, 8 a.m. - 5 p.m. Central, Monday-Friday.



A	Downrod	4L000013020
B	Mounting Bracket	4L000013410
C	Light Kit	4L000007700
D	Glass Shade	4A164780002
E	Remote Pack	4A000013090
F	Yoke Cover	4L000007710
G	Canopy	4L000007720
H	Canopy Cover	4A000004010
I	Blade Arm	4A071910004
J	Blade	4A083010000
K	Switch Housing Cap	4L000007820
HW	Hardware Bag	4L000013420