

Emporia
52"

PROMINENCE HOME

OWNER'S MANUAL

#51021 | #51022 | #51023

Indoor Ceiling Fan

Remote Control



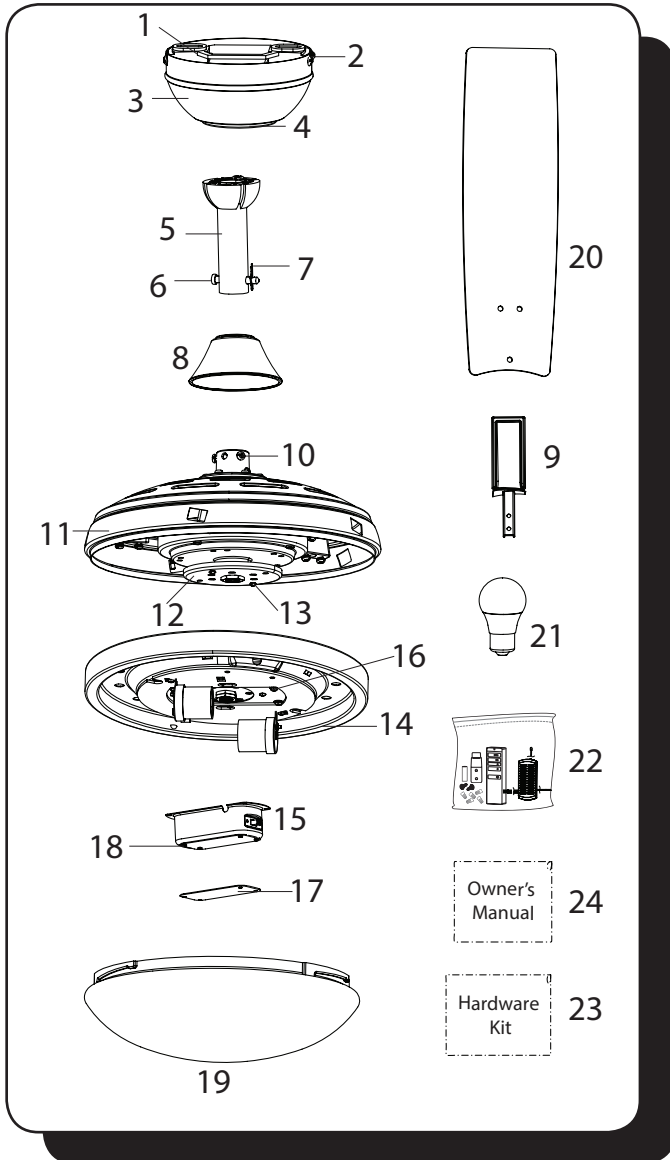
If a problem cannot be remedied or you are experiencing difficulty in installation, please contact the service department.

1-877-459-3267
8 a.m. - 5 p.m Central, Monday-Friday



Keeping You Cool Is What We Do Best!

PACKAGE CONTENTS



Unpack your fan and check the contents. You should have the following items:

PACKAGE CONTENTS

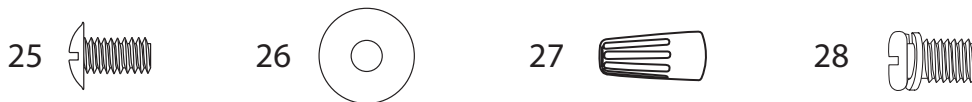
- | | |
|--------------------------------|-------------------------------------|
| 1. Mounting Bracket | 13. Fitter Plate Screw (x4) |
| 2. Mounting Bracket Screw (x4) | 14. Light Kit |
| 3. Canopy | 15. Switch Housing |
| 4. Canopy Cover | 16. Switch Housing Screw (x4) |
| 5. Downrod | 17. Switch Housing Cover |
| 6. Downrod Pin | 18. Switch Housing Cover Screw (x4) |
| 7. Downrod Clip | 19. Glass Bowl |
| 8. Yoke Cover | 20. Blade (x5) |
| 9. Blade Arm (x5) | 21. E26-base LED Bulb (x2) |
| 10. Set Screw (x2) | 22. Remote Pack |
| 11. Motor Assembly | 23. Hardware Kit |
| 12. Fitter Plate | 24. Owner's Manual |

HARDWARE CONTENTS

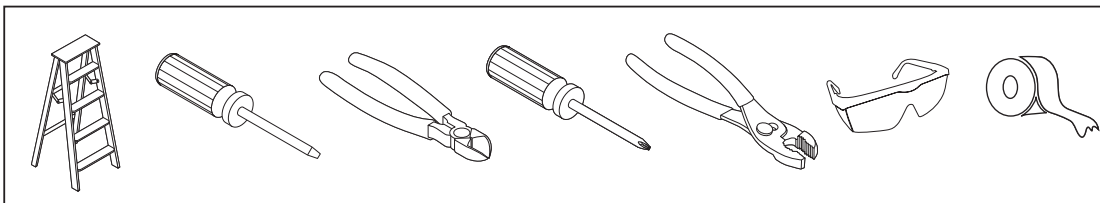
- | | |
|------------------------|-------------------------|
| 25. Blade Screw (x15) | 27. Wire Connector (x6) |
| 26. Blade Washer (x15) | 28. Motor Screw (x10) |

Note: Some extra hardware has been included. The quantity listed above is the number required for installation.

HARDWARE CONTENTS



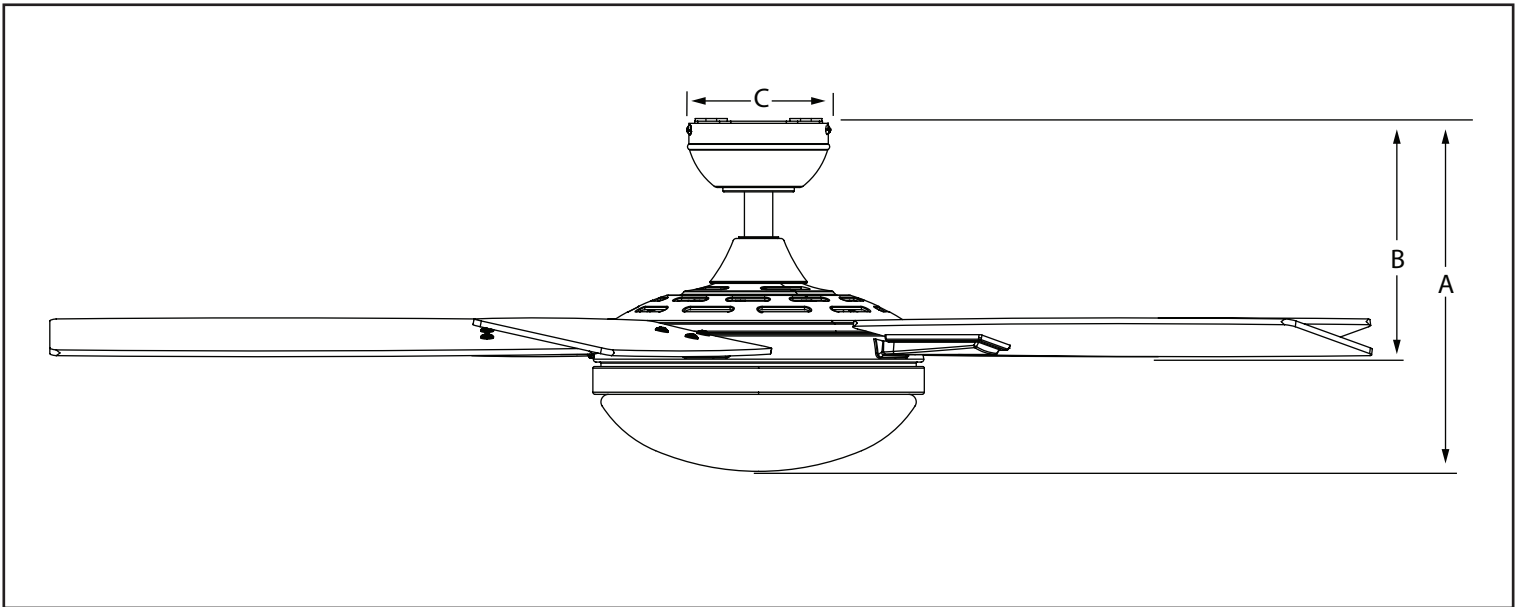
TOOL REQUIRED (not included)



Tool required for assembly: Electrical tape, Phillips Screwdriver, Pliers, Safety Glasses, Step Ladder, Wire Cutters and Wire Strippers

Helpful Tools: AC Tester Light, Tape Measure, and Wiring Handbook

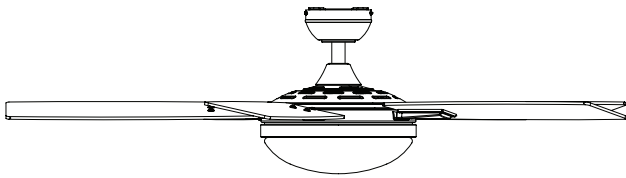
DIMENSION REFERENCE



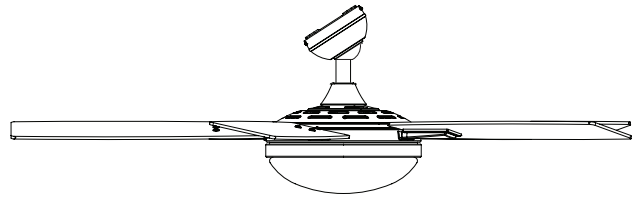
A. 12.75 in. B. 8.53 in. C. 5.13 in.

MOUNTING OPTIONS

Two Mounting Options



Downrod Mount



Angled Ceiling Mount (Up to 10 degrees)

Choose one of the following mounting options:

Downrod Mount is best suited for ceilings 8 ft. or higher. For taller ceilings you may want to use a longer downrod (not included).

Angled Ceiling Mount is best suited for angled or vaulted ceilings. A longer downrod is sometimes necessary to ensure proper blade clearance from the ceiling. If using the angle mount, check to ensure the ceiling angle is not steeper than 10°.

SAFETY INSTRUCTIONS

READ ALL SAFETY INFORMATION AND INSTALLATION INSTRUCTIONS BEFORE YOU BEGIN INSTALLING THE FAN AND SAVE INSTRUCTIONS.

CAUTION:

- All set screws of the fan must be checked and retightened where necessary before installation.
- To reduce the risk of personal injury, do not bend the blade brackets when installing the brackets, balancing the blades or cleaning fan. Do not insert foreign objects in between rotating fan blades.
- Before changing the fan direction, turn off the fan and wait for the fan blades to stop completely.
- The safeguards provided by these safety instructions and by the separate installation instructions are not meant to cover all possible conditions and situations that may occur. It must be understood that common sense, caution and care are factors which can not be built into this product. These factors must be supplied by the person(s) installing, caring for and operating the fan.
- The fan weight is Net Weight: 20.04 lbs. Be sure the outlet box (not included) is securely attached to the building structure and is marked "Acceptable For Fan Support". Failure to do so can result in serious injury.
- This equipment has been tested and found to comply with the limits for a Class B digital device, pursuant to Part 15 of the FCC Rules. These limits are designed to provide reasonable protection against harmful interference in a residential installation. This equipment generates, uses and can radiate radio frequency energy and, if not installed and used in accordance with the instructions, may cause harmful interference to radio communications. However, there is no guarantee that interference will not occur in a particular installation. If this equipment does cause harmful interference to radio or television reception, which can be determined by turning the equipment off and on, the user is encouraged to try to correct the interference by one or more of the following measures:
 - Reorient or relocate the receiving antenna.
 - Increase the separation between the equipment and receiver
 - Connect the equipment into and outlet on a circuit different from that to which the receiver is connected.
 - Consult the dealer or an experienced radio/TV technician for help.

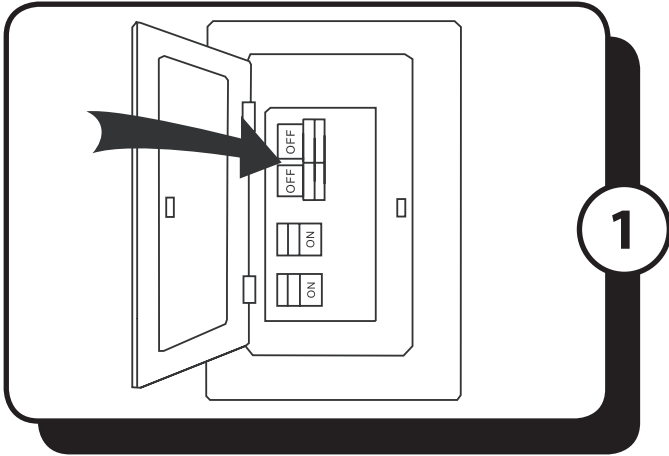
Please note changes or modifications not expressly approved by the party responsible for compliance could void the user's authority to operate the equipment.

HKC-US
3350 Player's Club Parkway, #225
Memphis, TN 38125
1-800-643-0067

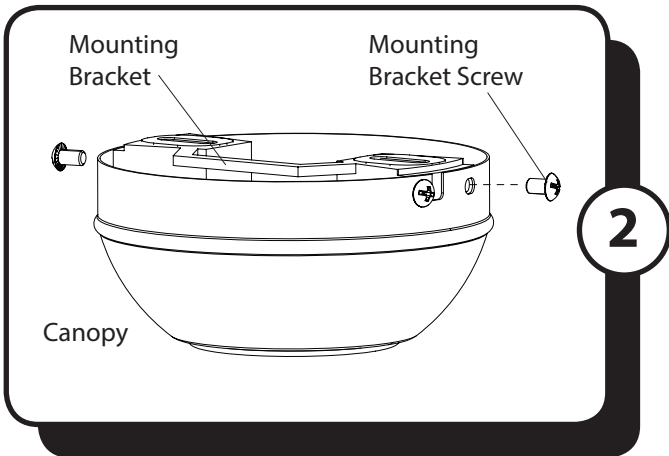
WARNING:

- To avoid risk of electric shock, be sure to shut off power at the main fuse or circuit breaker box before installing or servicing this fixture. Turning off the electrical power by using the light switch is not sufficient to prevent electrical shock.
- To reduce the risk of injury, install the fan so that the blades are at least 7 feet (2.1 Meters) above the floor and at least 18 inches (0.5 Meters) from the tip of the blades to the wall.
- To reduce the risk of fire, electric shock, or personal injury, mount to outlet box marked "acceptable for fan support" and use mounting screws provided with the outlet box.
- The installation has to be in accordance with the national electrical code, ansi/nfpa 70-1999 and local codes. If you are unfamiliar with the methods of installing electrical wiring, seek the services of a qualified licensed electrician.
- Using a full-range dimmer switch to control fan speed will cause a loud humming noise from the fan. To reduce the risk of fire or electric shock, do NOT use a full-range dimmer switch to control the fan speed.

ASSEMBLY INSTRUCTIONS

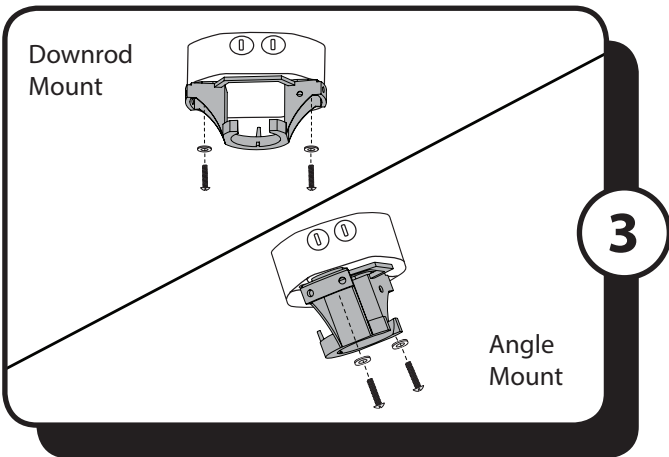


1. Turn OFF the electrical power at the main fuse or circuit breaker.



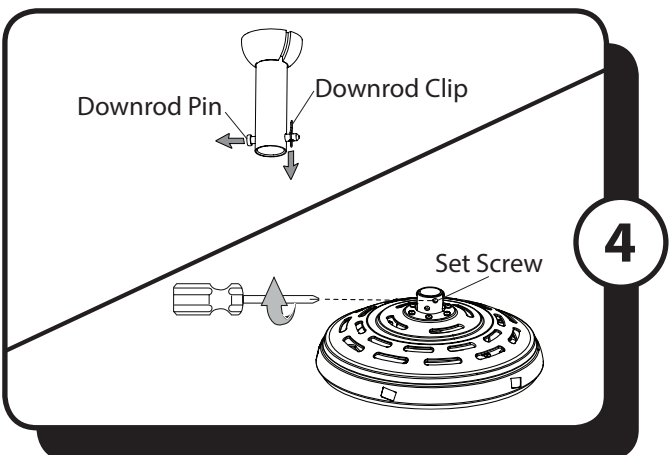
2. Loosen all mounting brackets screws. Remove the two mounting bracket screws from the round holes of canopy. Set aside for later use. Detach mounting bracket from canopy.

Note: Do NOT remove the mounting bracket screws in the slotted holes.



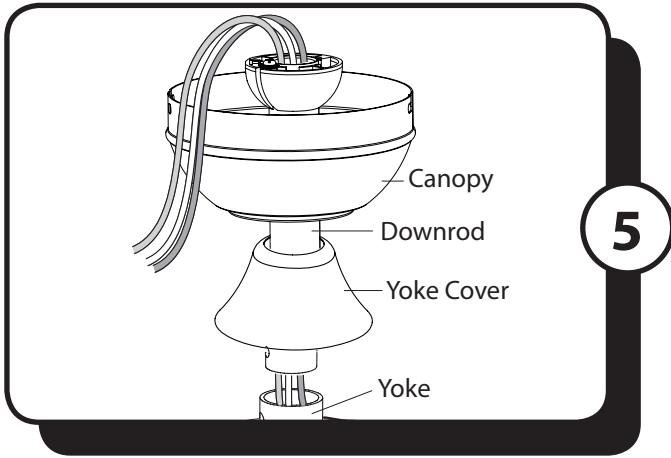
3. Attach mounting bracket to outlet box (not included) using screws and washers provided with the outlet box.

CAUTION: It is very important you use the proper hardware when installing the mounting bracket as this will support the fan.

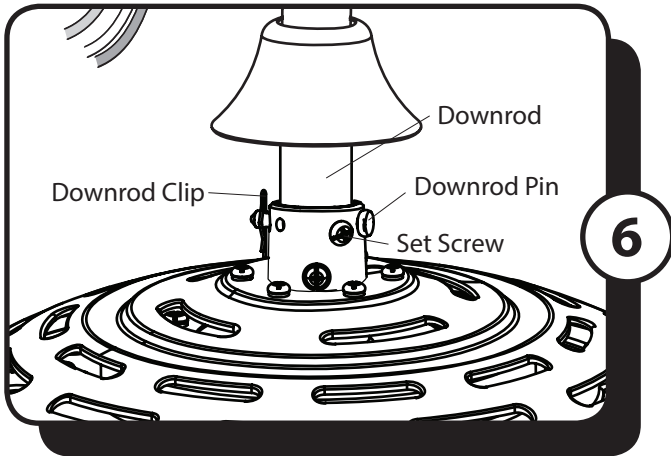


4. Remove the downrod pin and downrod clip from the downrod. Then, loosen but don't remove the two set screws in the yoke of the motor assembly.

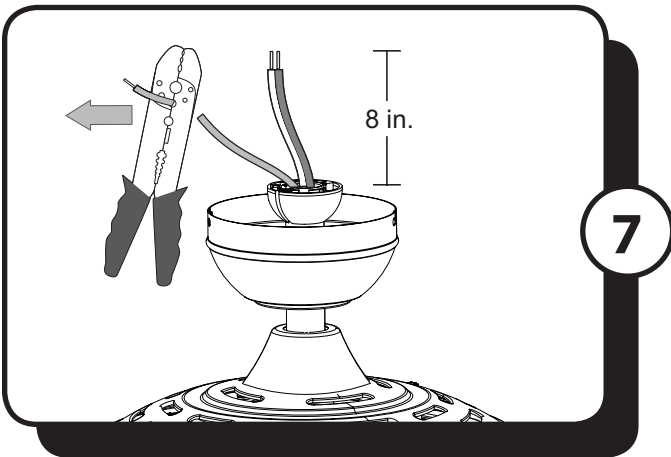
ASSEMBLY INSTRUCTIONS



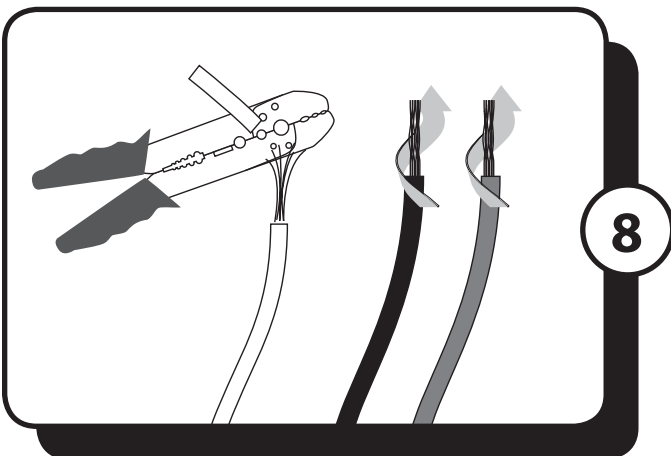
5. Remove the downrod pin and downrod clip from the downrod. Then, loosen but don't remove the two set screws in the yoke of the motor assembly.



6. Insert the downrod into the yoke of the motor housing and reinstall the downrod pin and downrod clip. Then retighten the two set screws.



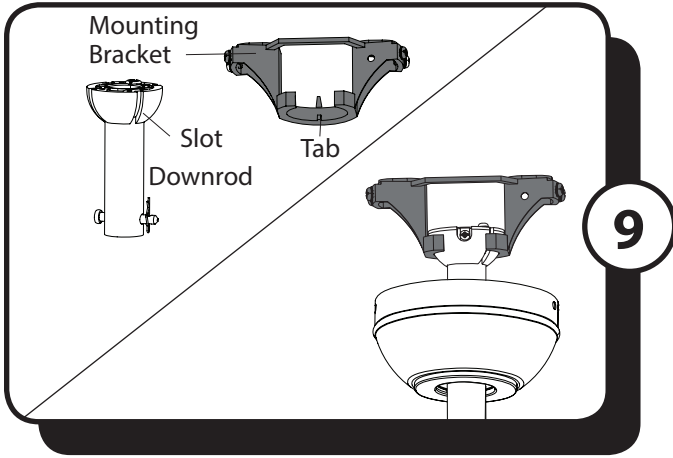
7. Depending on the length of downrod you use, you may want to trim the lead wires back to simplify the wiring process. If you decide to cut back the lead wires, pull the lead wires all the way through the top of the downrod. Measure 8 inches of lead wire, then cut the excess wire off with wire cutters (not included).



8. If you decided to cut back the lead wire in Step 8, strip 1/2 in. of insulation from the end of each wire. Twist the stripped ends of each strand of wire within the insulation with pliers (not included).

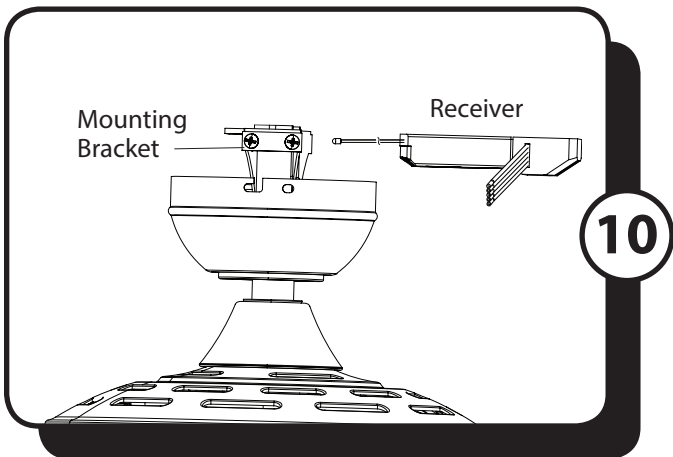
Note: If you did not cut back the lead wires in Step 7, you may proceed to Step 9.

ASSEMBLY INSTRUCTIONS

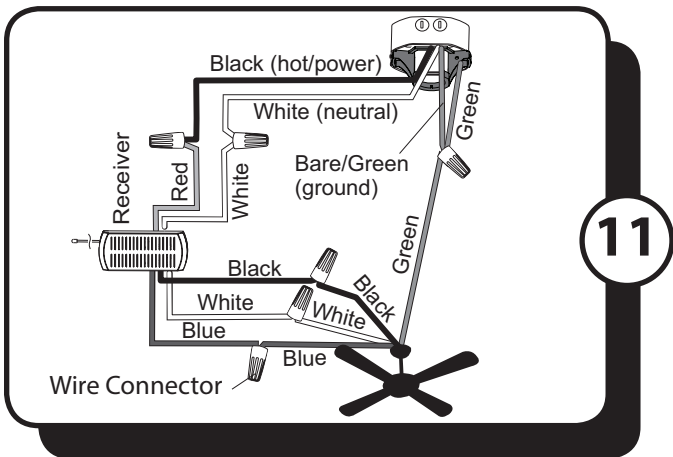


9. Install the ball end of the downrod into the opening of the mounting bracket. Rotate the fan in the mounting bracket until a slot in the ball end of the downrod engages the tab in the mounting bracket.

DANGER: The fan and/or downrod should not rotate in the mounting bracket if installed correctly. Failure to align the slot with the tab may result in fan falling causing serious injury or death.

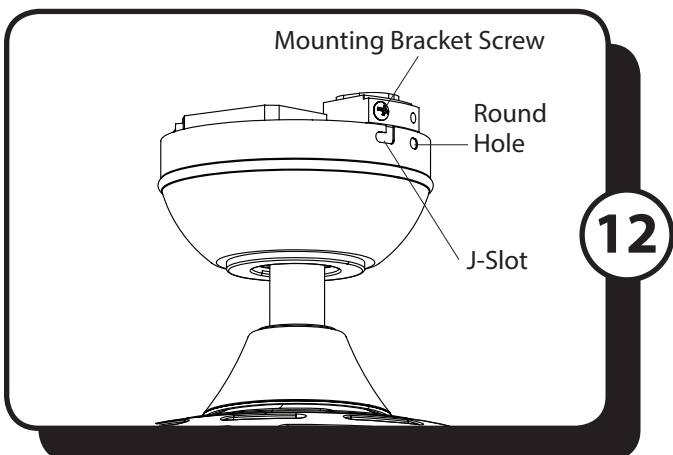


10. Insert the receiver from remote pack into the mounting bracket with the flat side of the receiver facing the ceiling.



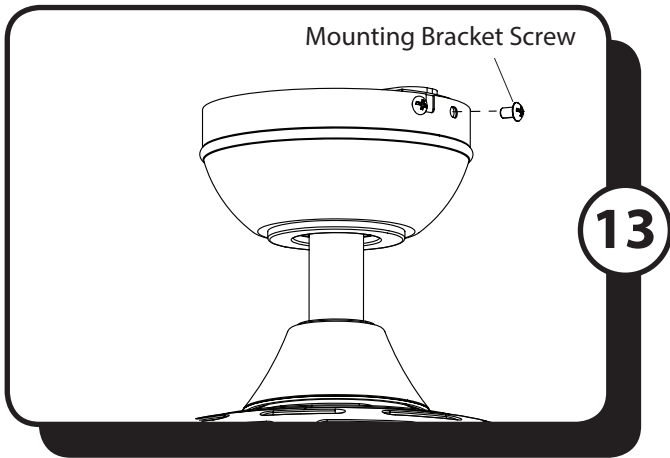
11. Use wire connectors to connect the fan, receiver and supply wires from outlet box according to the wiring diagram and the following instructions:

- Connect the Green wires from the fan and the mounting bracket to the Bare/Green (ground) supply wire.
- Connect the Blue wire with white label from the receiver to the Blue fan wire.
- Connect the Black wire with white label from the receiver to the Black fan wire.
- Connect the Red wire with red label from the receiver to the Black (hot/power) supply wire.
- Connect the White wire with red label from the receiver to the White (neutral) supply wire.
- Connect the White wire with white label from the receiver to the White fan wire.

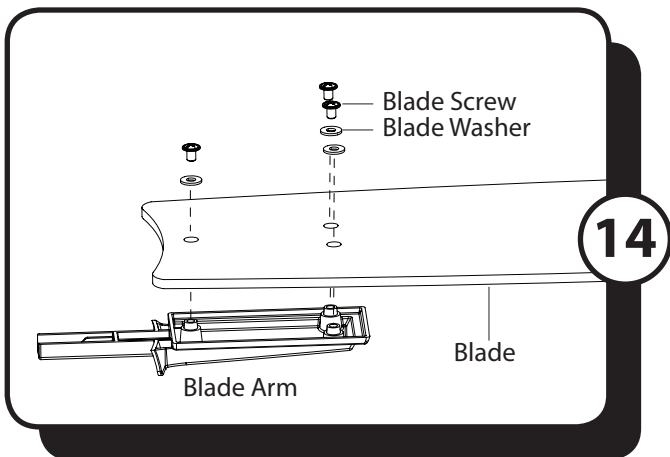


12. Align the canopy over the loose mounting bracket screws preassembled on mounting bracket. Place the J-slots of the canopy onto the mounting bracket screws and rotate the canopy clockwise.

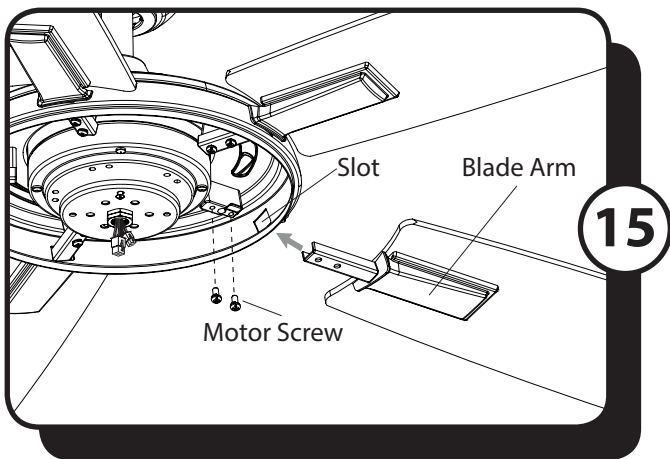
ASSEMBLY INSTRUCTIONS



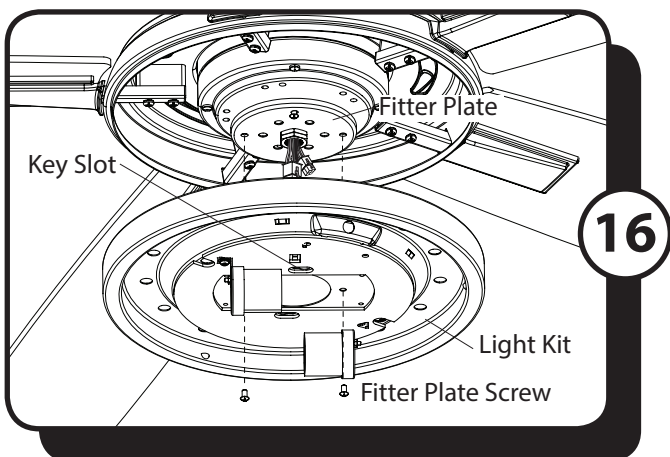
13. Install the two previously removed mounting bracket screws in the round holes. Securely tighten all mounting bracket screws.



14. Partially insert three blade screws along with three blade washers through one blade and into one blade arm. Tighten each blade screw with a Phillips screwdriver, starting with the one in the middle. Repeat this step for the remaining blades and blade arms.

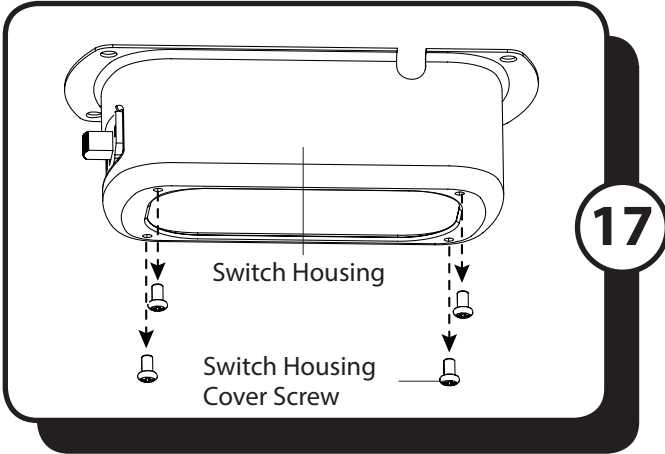


15. Insert blade arm through slots in the side of the motor assembly. Align the holes of one blade arm with two motor screw holes in underside of the motor assembly. Secure with two motor screws. Repeat this step for the remaining blade arms.

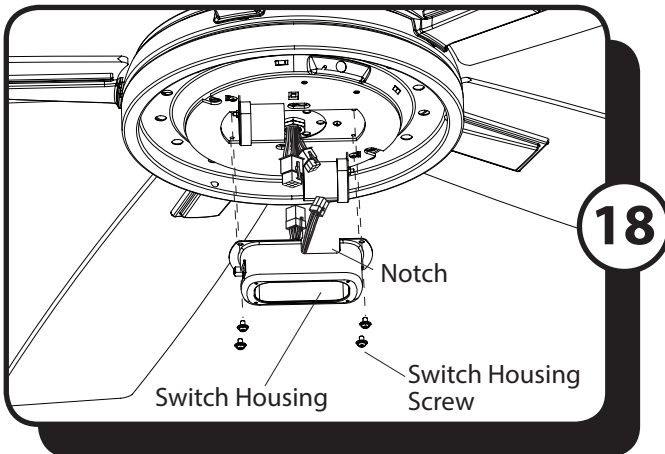


16. Remove two of the four fitter plate screws located on the underside of the motor assembly and loosen the other two screws. Align the two key slots of the light kit with the loosened fitter plate screws. Rotate the light kit clockwise until the screw heads engage the key slots. Replace previously removed fitter plate screws, then tighten all screws.

ASSEMBLY INSTRUCTIONS

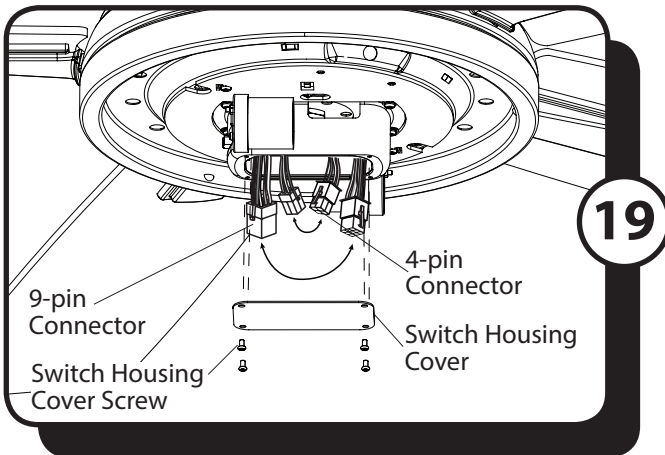


17. Remove the four switch housing cover screws preassembled to the switch housing. Set aside for later.

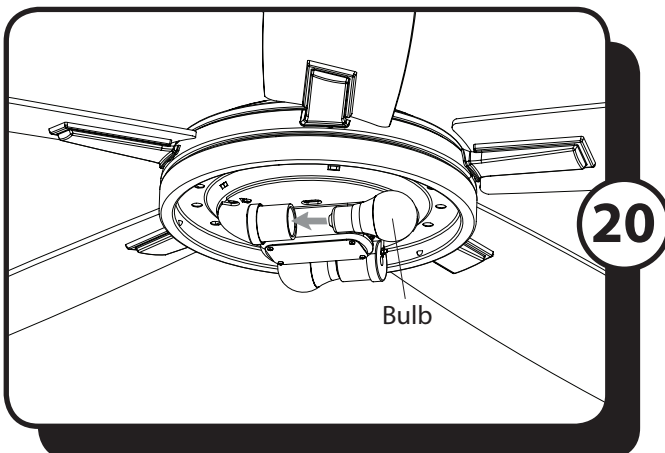


18. Remove the four switch housing screws preassembled to the light kit. Secure the switch housing to the light kit by re-installing the switch housing screws.

Note: The switch housing should be oriented so its notch covers the wiring from the light kit.

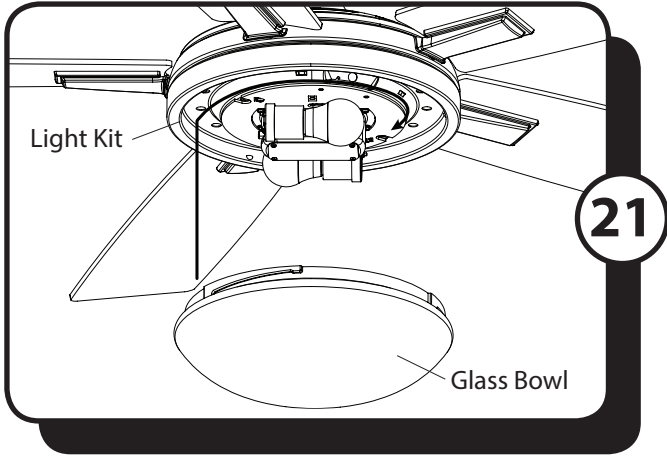


19. Connect the two 4-pin connectors and two 9-pin connectors from the switch housing. Insert the connectors into the switch housing. Then, install the switch housing cover to the switch housing using the switch housing cover screws that were previously removed.



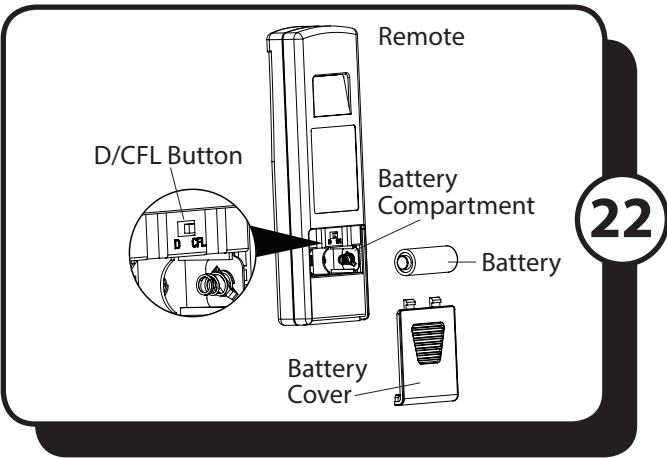
20. Install the two E26-base bulbs (60W max.) into the sockets of the light kit.

ASSEMBLY INSTRUCTIONS



21. Lift the glass shade into the light kit and twist the glass shade in a clockwise direction until it is secure.

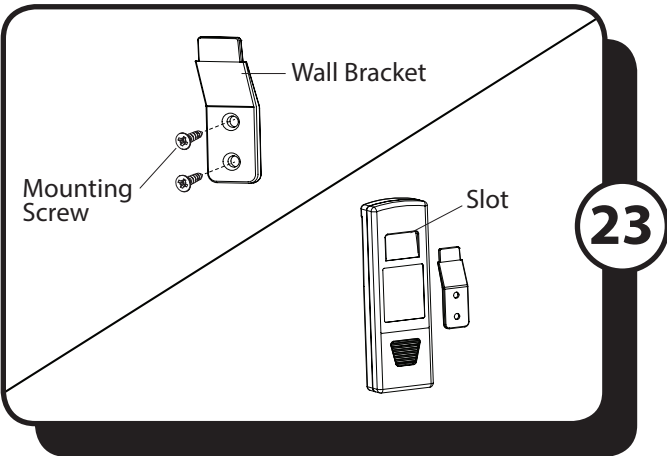
Important: Hold the glass bowl level during installation to avoid "cross-threading" the glass bowl during installation. Doing so may cause the bowl to fall or be difficult to remove for bulb change.



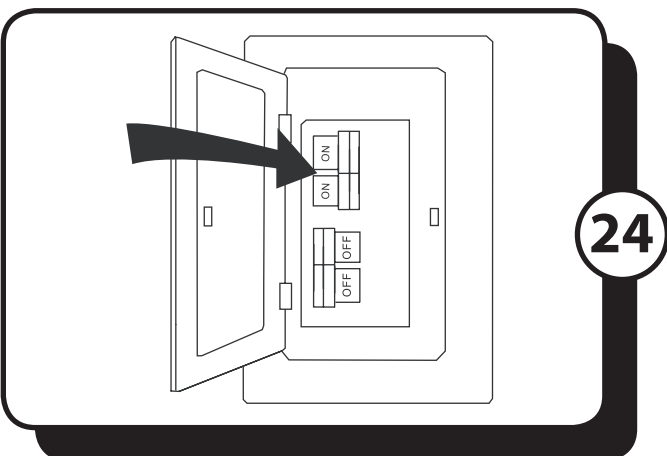
22. Remove the battery cover from the back of the remote transmitter and insert the 12-volt battery. Replace the battery cover.

D/CFL Switch: Switch should be set to "CFL" to correspond with the included CFL bulbs. Flip to "D", to enable the dimming function if you change to incandescent bulbs.

IMPORTANT: The dimmer function does NOT work with CFL bulbs.

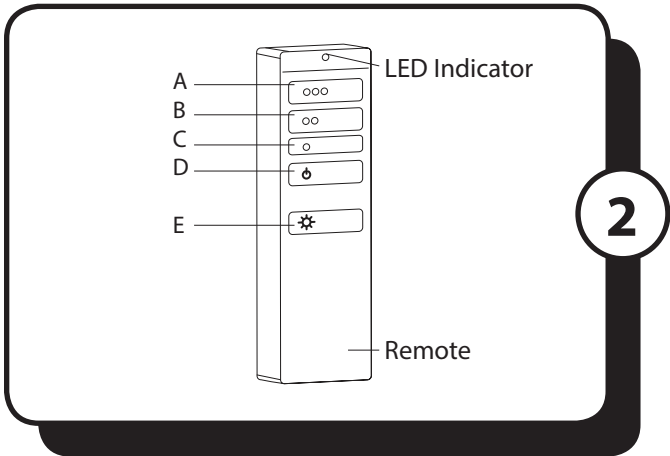
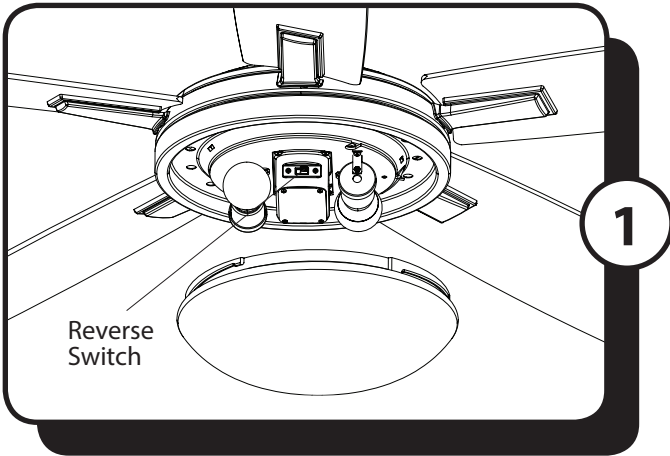


23. Install wall bracket for remote control (optional) - Use the two mounting screws to attach the wall bracket to the wall. **Note:** A slot on the back of the remote control allows it to be stored on the wall bracket when not in use.



24. Restore the electrical power at the main fuse or circuit breaker.

OPERATING INSTRUCTIONS



1. To locate the reverse switch, remove the glass bowl. The reverse switch is located on the switch housing. Using a ceiling fan will allow you to raise your thermostat setting in summer and lower your thermostat setting in winter without feeling a difference in your comfort.

Note: Wait for the fan to stop before moving the reverse switch.

In warmer weather, push the reverse switch left which will result in downward airflow creating a wind chill effect.

In cooler weather, push the reverse switch right which will result in upward airflow that can help move stagnant, hot air off the ceiling area.

2. To operate the fan using remote control, press and release the following buttons:

A - High fan speed

B - Medium fan speed

C - Low fan speed

D - Turns the fan off. Press and hold this button for 5 seconds to enter **Light Delay Off** mode, which will turn off light after one minute. The LED on the remote control will flash four times to confirm mode setting.

E - Turns the light on and off. Press and hold this button to dim or brighten when using incandescent bulbs.

TROUBLESHOOTING

If you have difficulty operating your new ceiling fan, it may be the result of incorrect assembly, installation or wiring. In some cases, these installation errors may be mistaken for defects. If you experience any faults, please check the Troubleshooting section below. If a problem cannot be remedied or you are experiencing difficulty in installation, please contact the Service Department: 1-877-706-3267, 9 a.m.- 5 p.m. Central time.

PROBLEM	SUGGESTED REMEDY
1. Fan does not start	<ol style="list-style-type: none">1. Check main and branch circuit fuses or circuit breakers.2. Check power supply wire connections to fan and switch wire connections in switch housing. CAUTION: Make sure main power is turned off.3. Make sure forward/reverse switch pushed completely left or right. Fan will not operate when switch is in the middle.4. Make sure that the wall control is turned ON.
2. Fan is noisy	<ol style="list-style-type: none">1. Make sure all screws in motor housing are snug, but not overtightened.2. Make sure the screws which attach the blade arm to the motor are tight.3. Make sure wire connectors in switch housing are not rattling against each other or against the interior wall of the switch housing. CAUTION: Make sure main power is turned off before entering switch housing.4. If using a light kit, be sure the glass shades are finger tight. Check to be sure light bulb are snug in sockets and not touching glass shade(s).5. Some fan motors are sensitive to signals from Solid State variable speed controls. DO NOT USE a Solid State variable speed control.
3. Fan wobbles	<ol style="list-style-type: none">1. Ensure all blades are screwed firmly into blade arms.2. Ensure all blade arms are tightened securely to motor.3. Ensure canopy and mounting bracket are tightened securely to outlet box and outlet box is mounted firmly to ceiling joist.4. Switch one blade with a blade from the opposite side. Or balance the fan using a balancing kit.5. If blade wobble is still noticeable, interchanging two adjacent (side by side) blades can redistribute the weight and possibly result in smoother operation.
4. Light does not work:	<ol style="list-style-type: none">1. Check for loose or disconnected wires in fan switch housing or light kit.2. Check for loose or disconnected wires in the canopy- blue wire is power to light.3. Check for faulty light bulbs. CAUTION: Make sure main power is turned off before entering switch housing.
5. Remote control does not work:	<ol style="list-style-type: none">1. Press and hold the high and low speed buttons on the remote control at the same time for 5 seconds. The LED indicator will flash 3 times. When syncing is complete, the fan will start on the low speed with the light (if applicable) off.2. Replace the transmitter battery with a new 12-volt battery.

LIMITED LIFETIME WARRANTY

To obtain Service, please contact the Service Department:
1-877-706-3267, 9 a.m.- 5 p.m. central time.

Model Name: Emporia Ceiling Fan
Model No: 51021 - Bright White
51022 - Oil Rubbed Bronze
51023 - Brushed Nickel

Subject to the limitations set forth below, Hong Kong China Electric Appliance Company (HKC) warrants the fan motor for this ceiling fan to be free from defects in workmanship and material for the life of the product. Also, subject to the limitations below, HKC warrants all ceiling fan parts ("ceiling fan parts" excludes the motor and parts made in whole or in part with glass) to be free from defects in workmanship and material for a period of one year after the date of purchase by the original purchaser at retail.

All claims must be made by the original purchaser, whether such purchaser purchased the product through a store or contractor. Ceiling fan part defects must be reported within the first year from the date of purchase. Parts made in whole or in part with glass and the finishes of metal and other surfaces are not warranted.

Purchasers are responsible for all costs of removing and reinstalling the product. Any damage to any part caused by ordinary wear and tear, accident, misuse, or improper installation, is not covered by this warranty. HKC assumes no responsibility whatsoever for fan installation. Any service performed by a non-licensed electrician will render the warranty invalid.

HKC's sole responsibility shall be to repair or replace the motor, parts, or product within the terms stated above. HKC shall not be liable for any loss or damage of any kind, including any incidental or consequential damages resulting directly or indirectly, from any breach of warranty, express or implied, or any other failure of this product. Some states do not allow the exclusion or limitation of incidental or consequential damages so this limitation may not apply to you.

If the original purchaser ceases to own the fan, this warranty is voided.

Should the purchaser encounter a problem with your fan related to defects in workmanship or materials within the warranty period associated with the defective part, HKC agrees to replace the defective part without charge, or at its option, to replace the ceiling fan with a comparable or superior model.

HKC's warranties are limited to the written warranties set out in this HKC ceiling fan limited lifetime warranty. All other express and implied warranties, including, without limitation, the implied warranty of fitness for a particular purpose and the implied warranty of merchantability are disclaimed. Some states do not allow the disclaimer of implied warranties, so this disclaimer may not apply to you.

To obtain warranty service, please write down your model number and call customer service at 1-877-706-3267, Monday - Friday 8 am - 5 pm, est. Please have a copy of the receipt as proof of purchase.