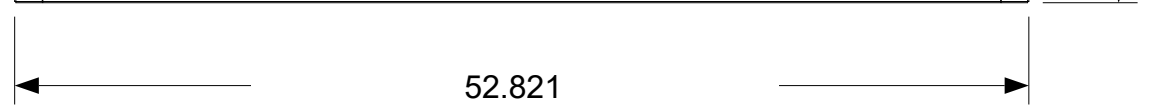
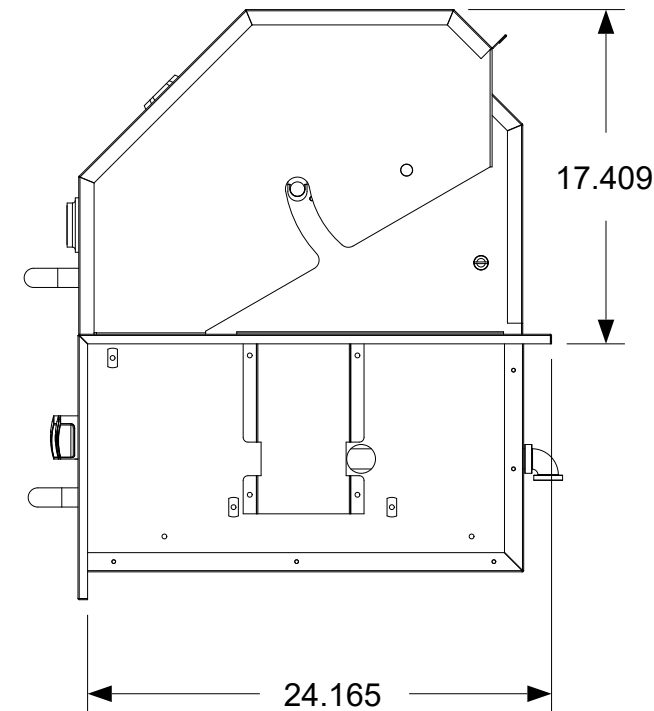
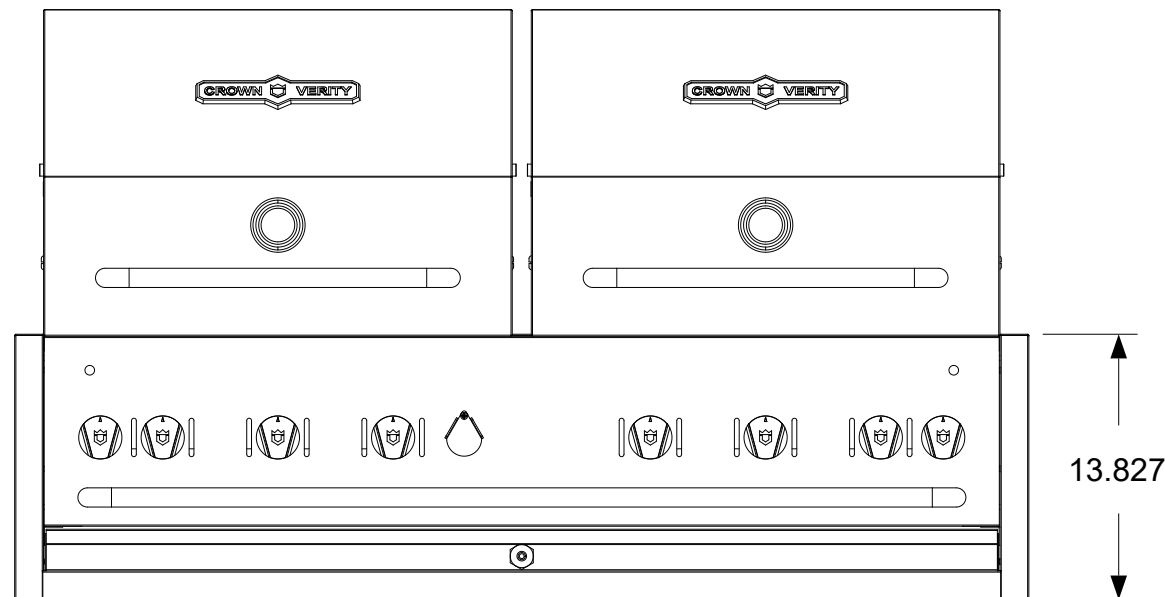
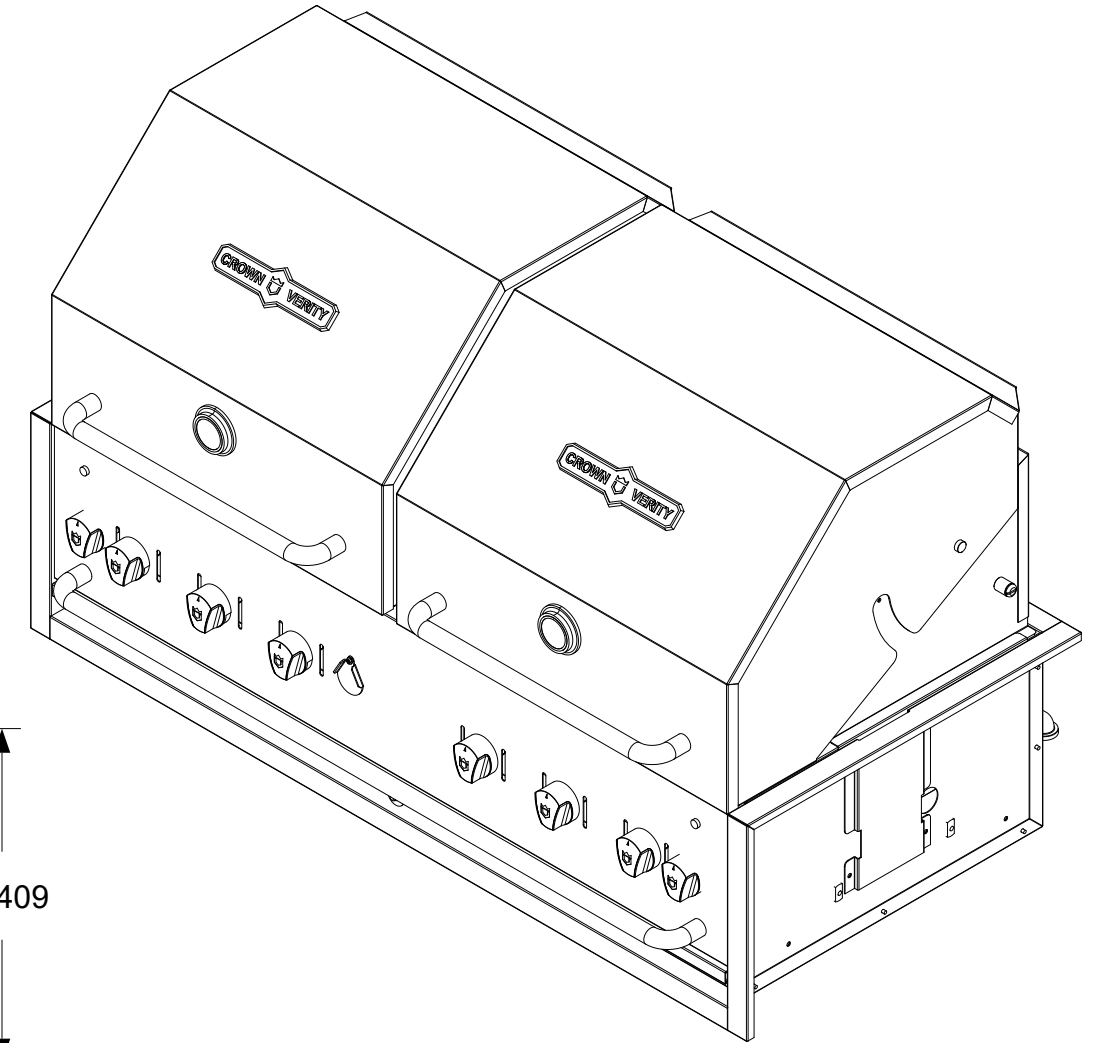
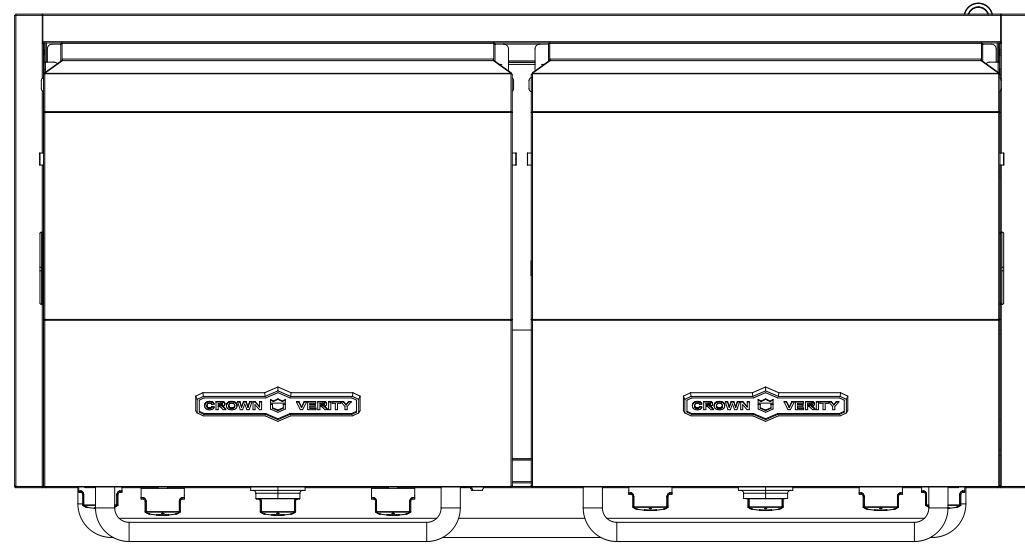


REVISION HISTORY			
REV	DESCRIPTION	DATE	APPROVED
-	Engineering Release	06/20/2019	Todd Stone



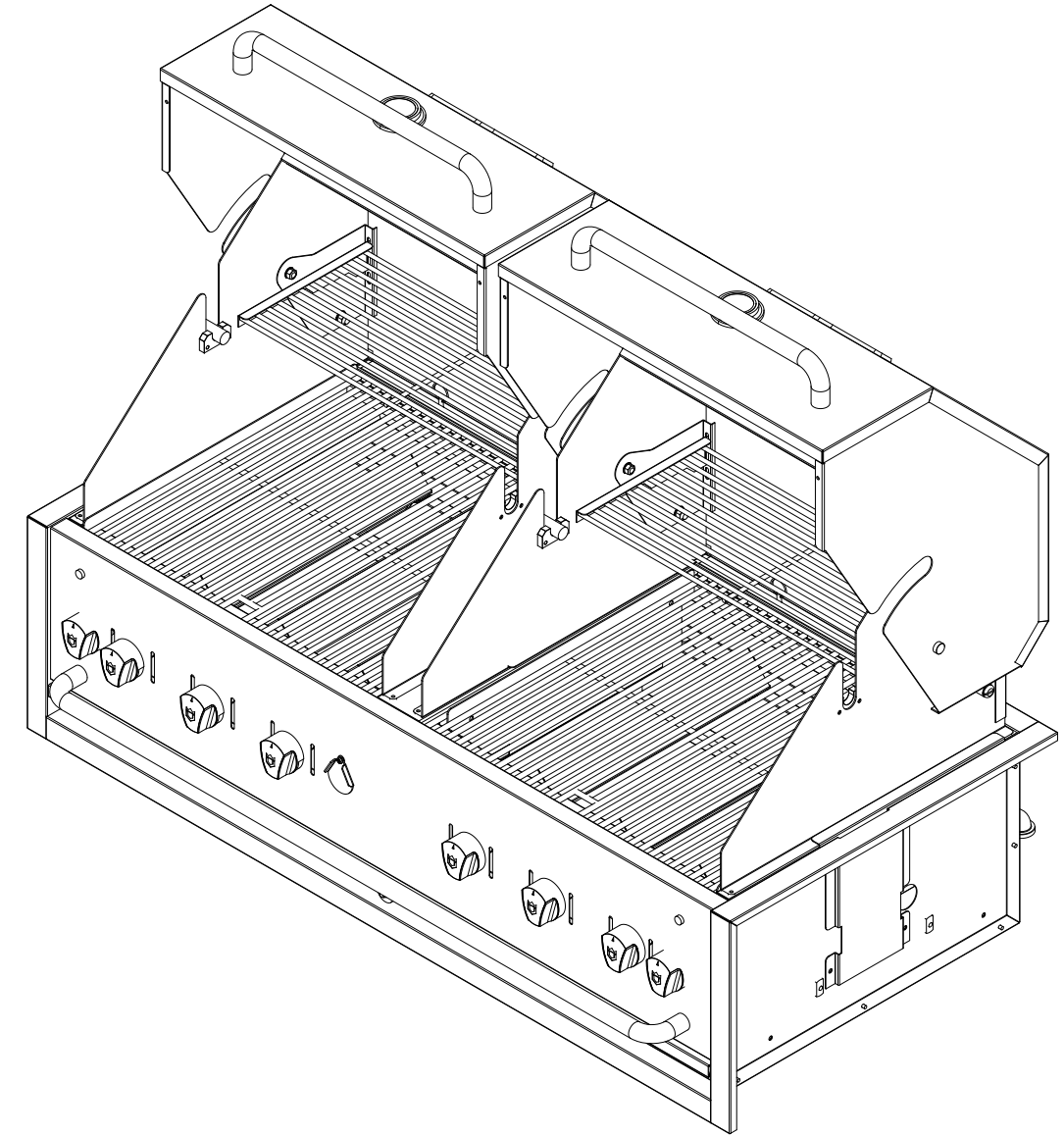
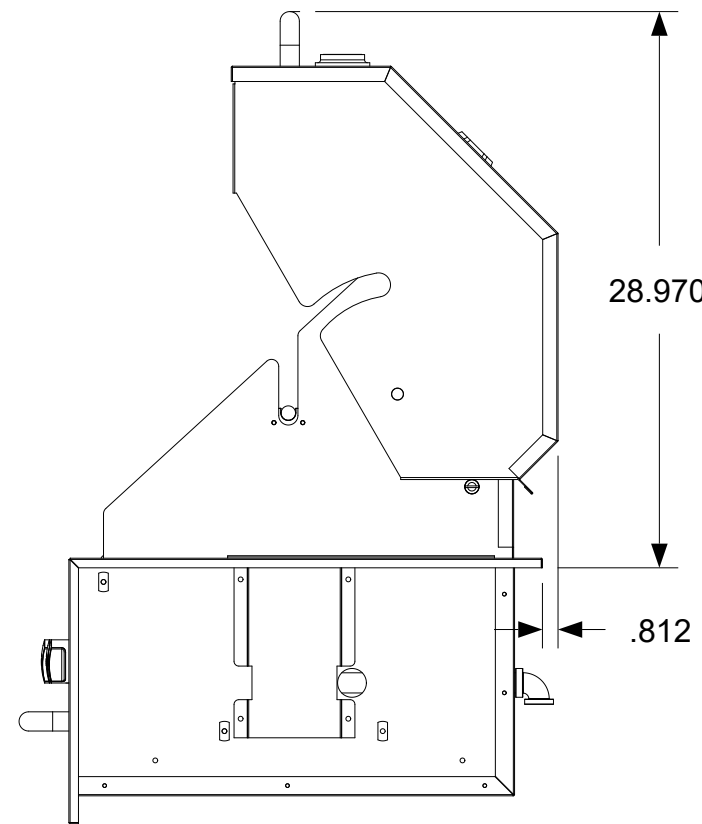
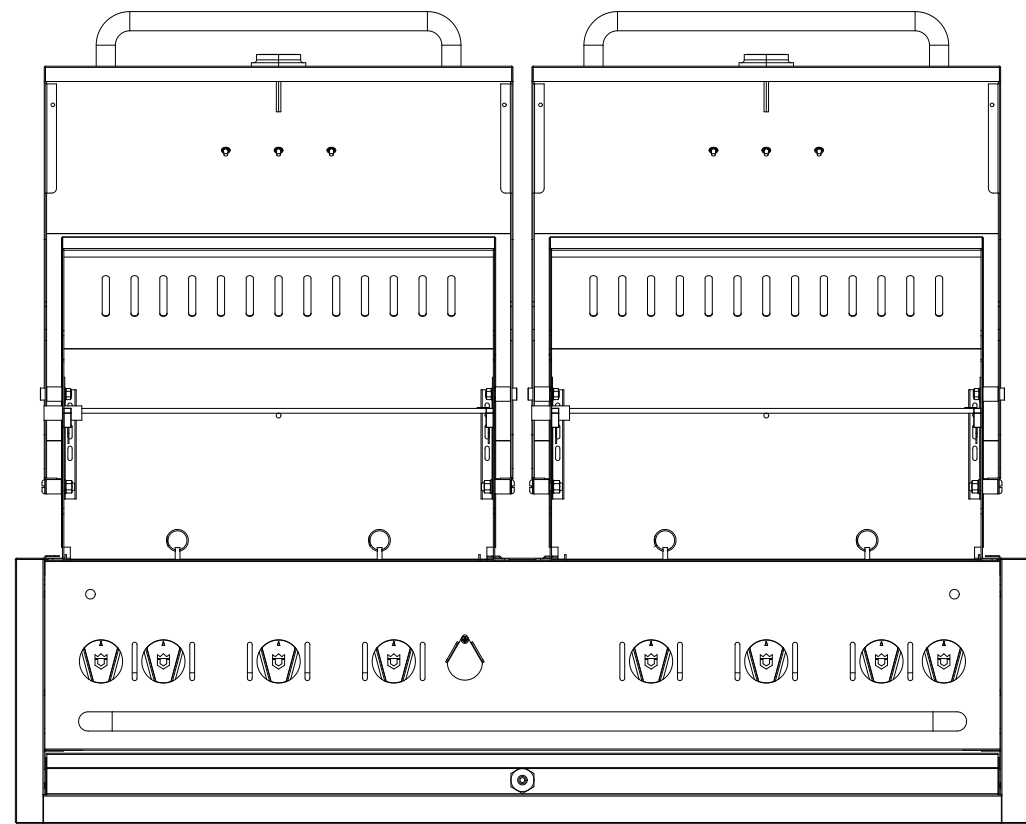
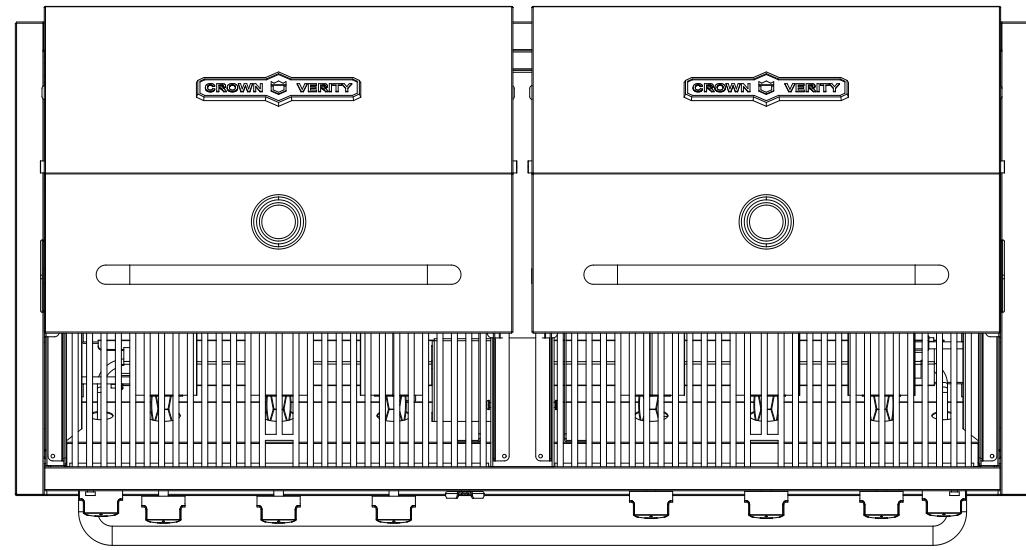
52.821
CV-BI-48 Shown
For CV-BI-24 Dimension is 27.422
For CV-BI-30 Dimension is 33.422
For CV-BI-36 Dimension is 39.422

CROWN VERITY
37 Adams Blvd., Brantford, Ontario, N3S 7V8
P: (519) 751-1800 www.crownverity.com

Gauge	N/A	Dimensions are in inches Linear Tolerance: +/- .015 Bend Tolerance: +/- .020 Angular Tolerance: +/- 0.5 Radial Tolerance: +/- .005
Weight (Kg)	N/A	
K Factor	N/A	
Finish	#4	
Material	SS 304	
DRAWN BY: Todd Stone		

TITLE			
Commercial BI Clearances			
SIZE	Customer	DWG NO	REV
B	Crown Verity	-	-
SCALE	1:10	06/20/2019	SHEET 1 of 3

REVISION HISTORY			
REV	DESCRIPTION	DATE	APPROVED
-	Engineering Release	06/20/2019	Todd Stone



CROWN VERITY

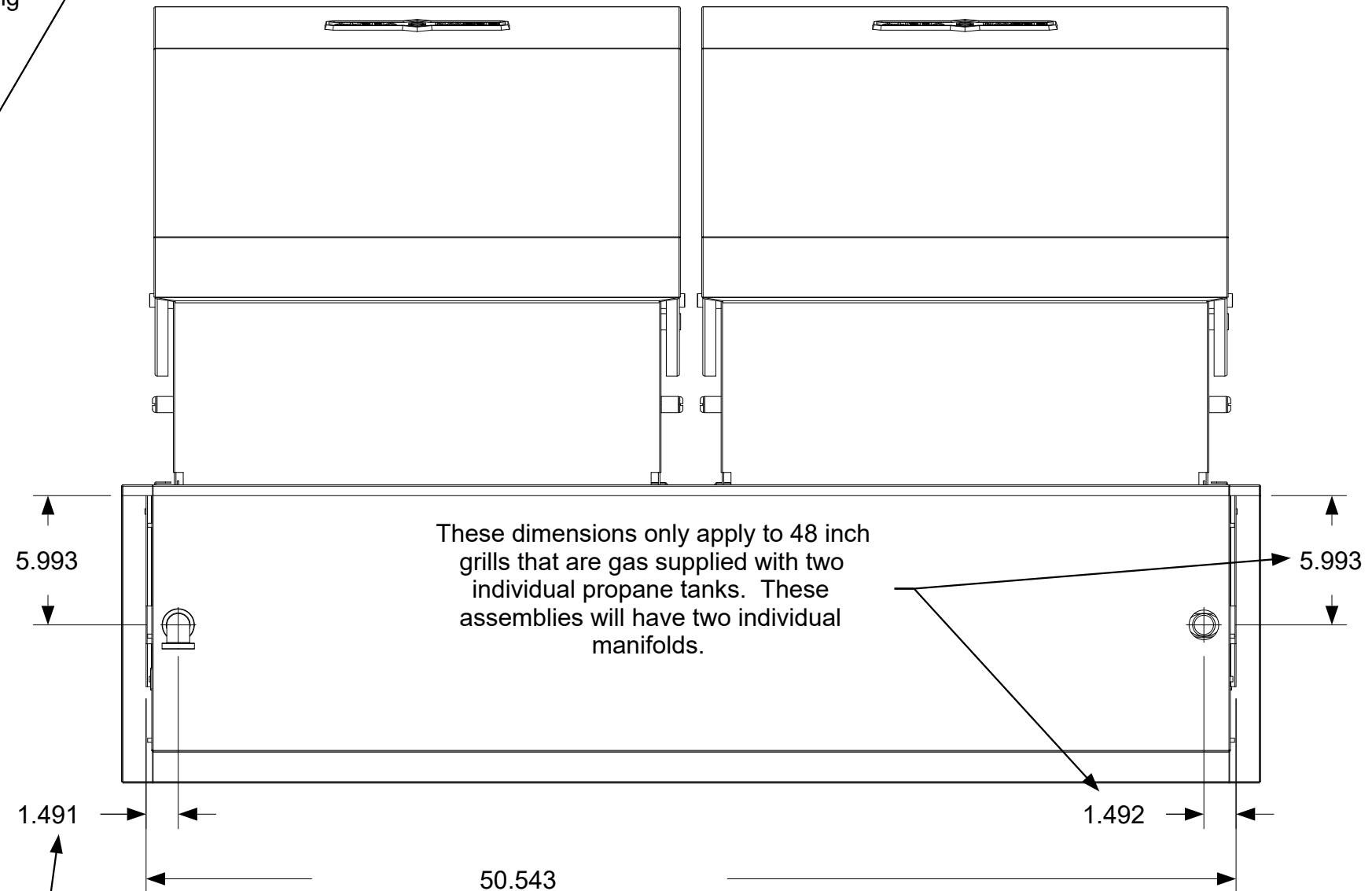
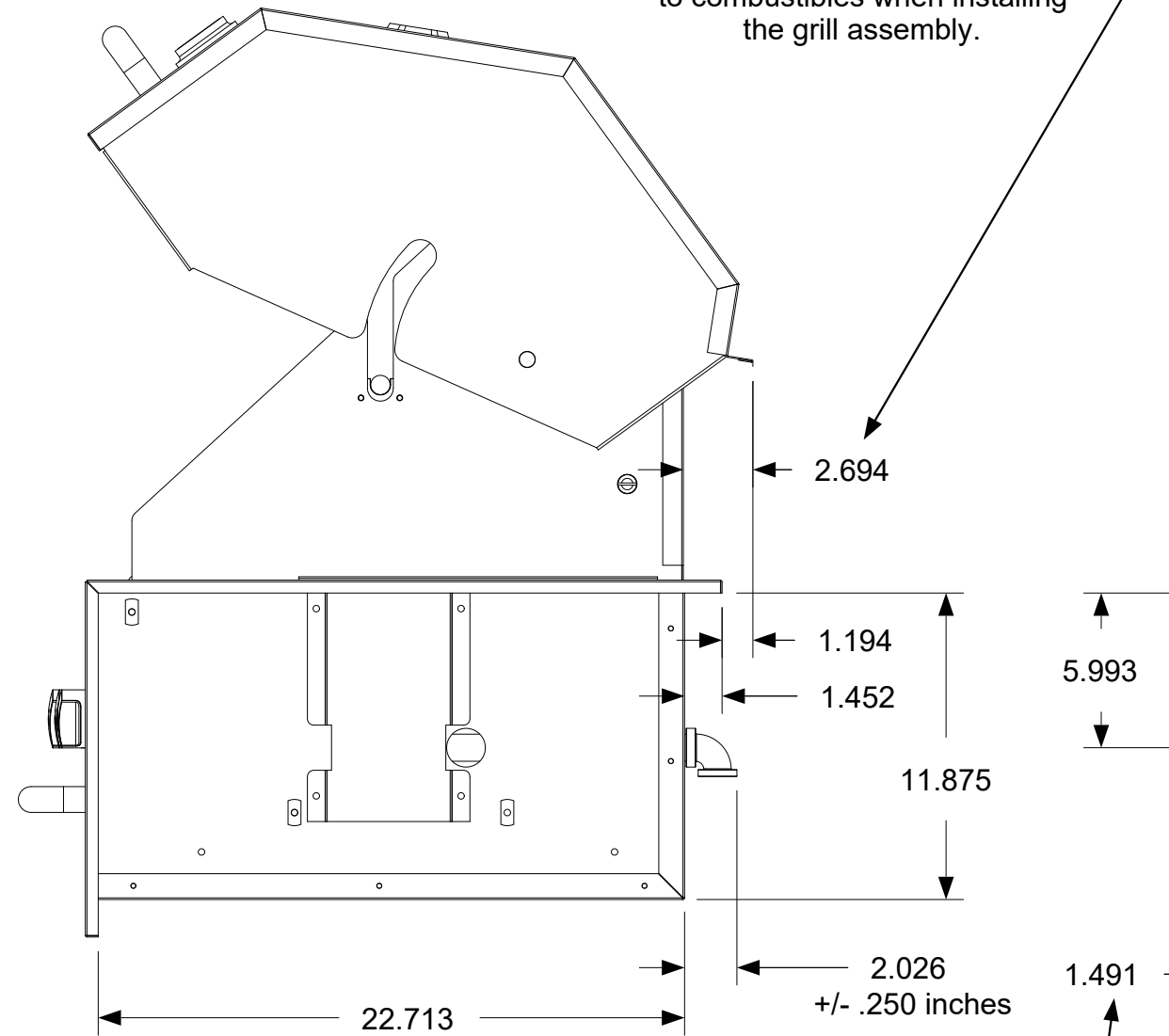
37 Adams Blvd., Brantford, Ontario, N3S 7V8
P: (519) 751-1800 www.crownverity.com

Gauge	N/A	Dimensions are in inches Linear Tolerance: +/- .015 Bend Tolerance: +/- .020 Angular Tolerance: +/- 0.5 Radial Tolerance: +/- .005
Weight (Kg)	N/A	
K Factor	N/A	
Finish	#4	
Material	SS 304	
DRAWN BY: Todd Stone		

TITLE			
Commercial BI Clearances			
SIZE	Customer	DWG NO	REV
B	Crown Verity	-	-
SCALE	1:10	06/20/2019	SHEET 2 of 3

REVISION HISTORY			
REV	DESCRIPTION	DATE	APPROVED
-	Engineering Release	06/20/2019	Todd Stone

This dimension is the furthest point the dome protrudes as it opens. It is 1.194 inches further back than the rear flange of the cabinet shell. Please refer to the installation manual for clearances to combustibles when installing the grill assembly.



This dimension is from the center of the manifold to the outside of the grill body. Add any additional clearances for the cut-out to this dimension

Dimensions shown are actual physical dimensions. Additional clearances to the cabinetry are dependent on the tolerances of the cut-out. We recommend an additional .250 inches around all openings but this can be reduced if the tolerances are controlled. Please refer to the installation manual for additional clearances and clearances to combustibles.

Gauge	N/A	Dimensions are in inches Linear Tolerance: +/- .015 Bend Tolerance: +/- .020 Angular Tolerance: +/- 0.5 Radial Tolerance: +/- .005
Weight (Kg)	N/A	
K Factor	N/A	
Finish	#4	
Material	SS 304	
DRAWN BY: Todd Stone		

CROWN VERITY

37 Adams Blvd., Brantford, Ontario, N3S 7V8
P: (519) 751-1800 www.crownverity.com

TITLE			
Commercial BI Clearances			
SIZE	Customer	DWG NO	REV
B	Crown Verity	-	-
SCALE	1:7	06/20/2019	SHEET 3 of 3