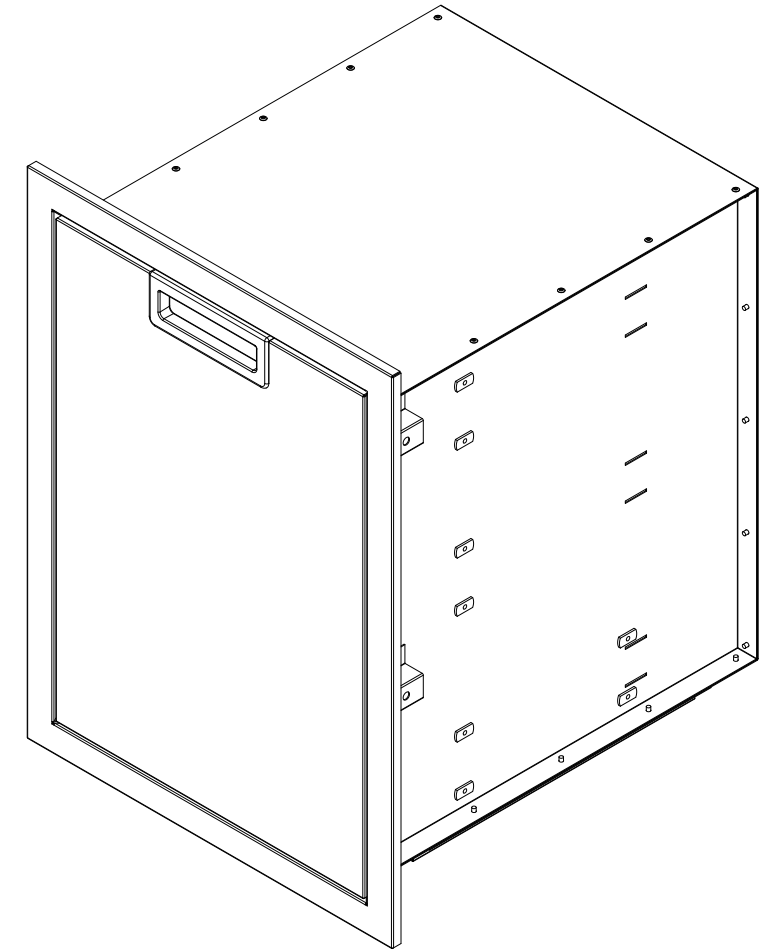
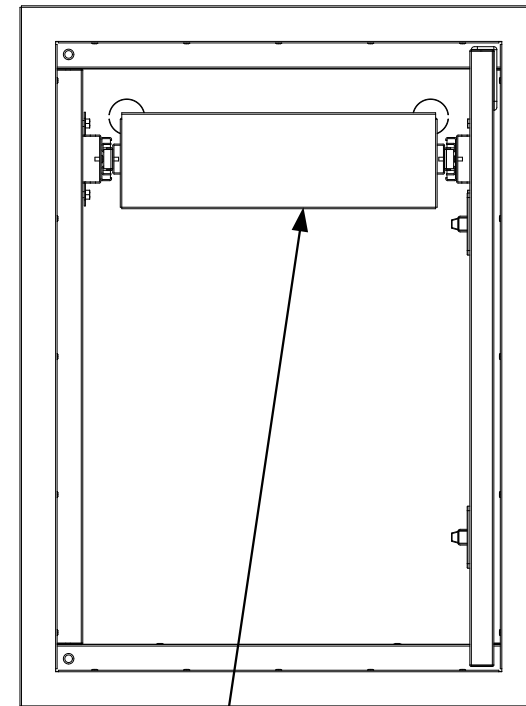
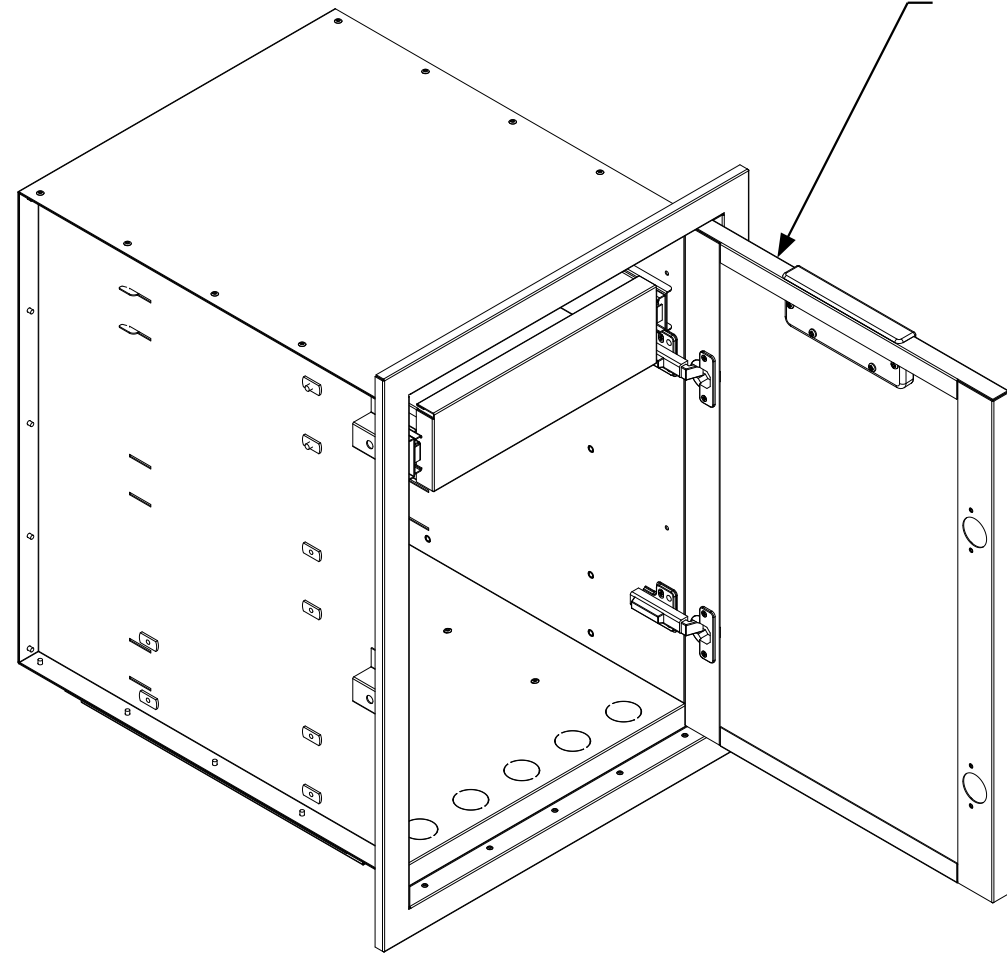


REVISION HISTORY			
REV	DESCRIPTION	DATE	APPROVED
-	Engineering Release	01/01/2020	Todd Stone

Door shown with righthand mounting option. Door hardware can be switched for a lefthand mount



One drawer cabinet shown. The cabinet is also available in a three drawer (IBILC-3D) and two drawer (IBILC-2D) option. Drawers can be relocated into any of the three mounting options available. Drawers can also be added at a later date.

Suggested Cut-out Dimensions	
Height	26.625
Width	18.938
Depth	23.000
Material	SS 304

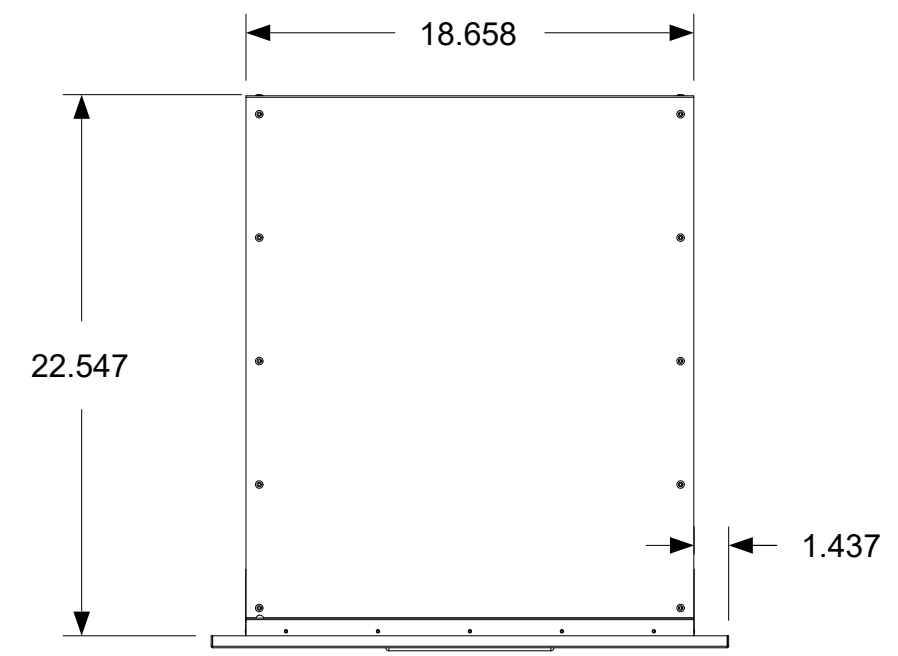
Dimensions are in inches
 Linear Tolerance: +/- .015
 Bend Tolerance: +/- .020
 Angular Tolerance: +/- 0.5
 Radial Tolerance: +/- .005

DRAWN BY: Todd Stone

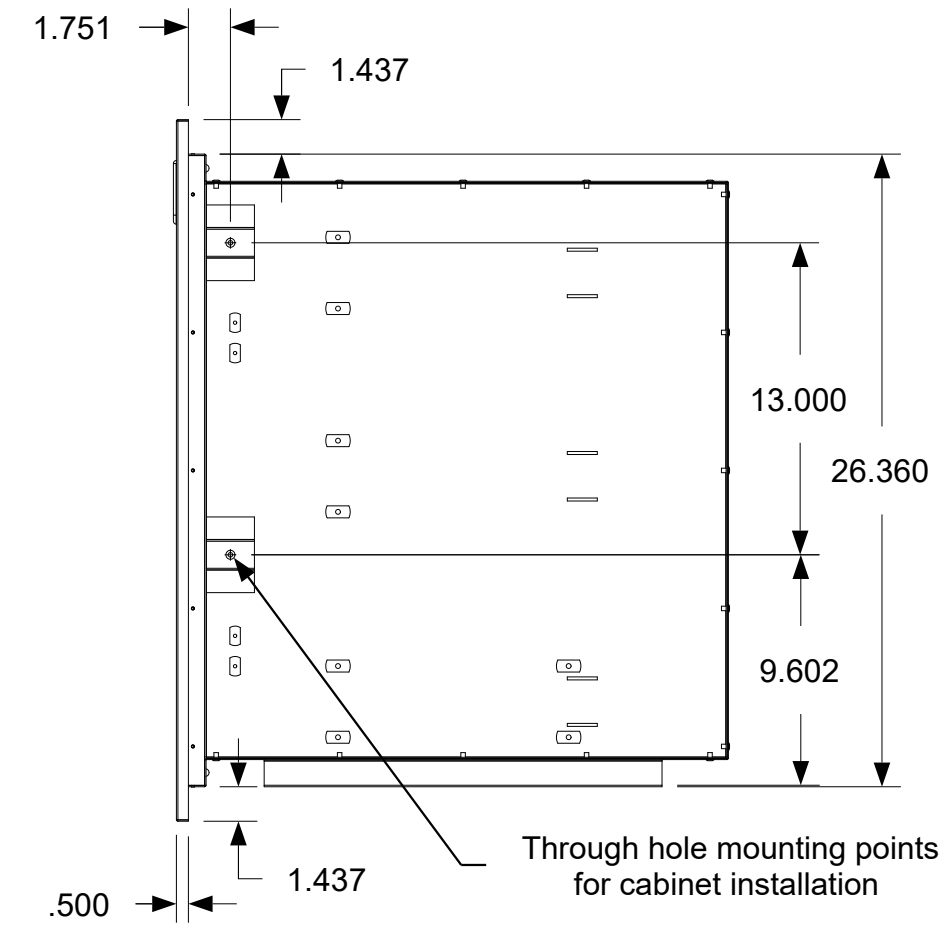
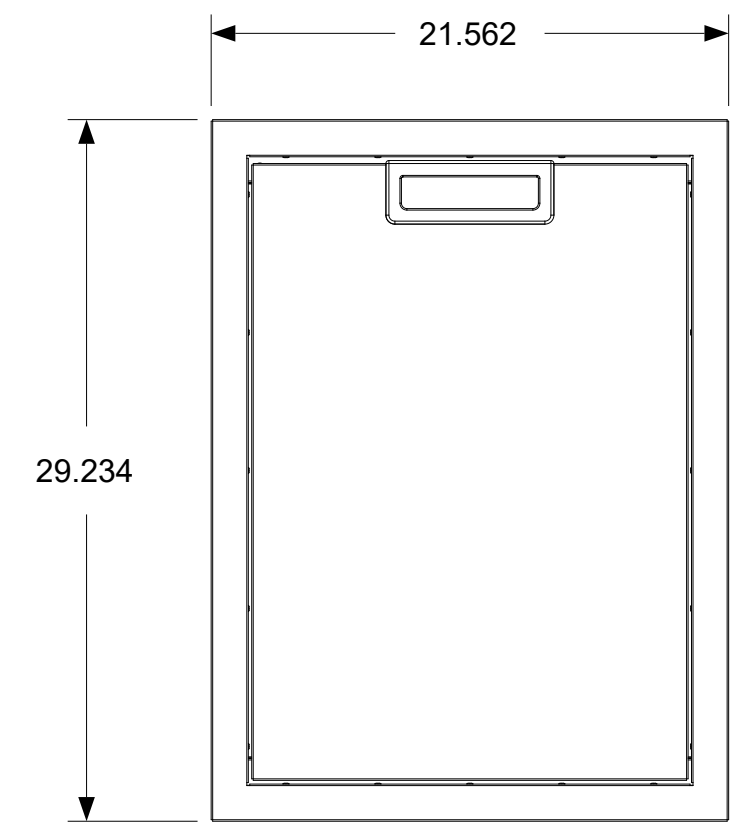
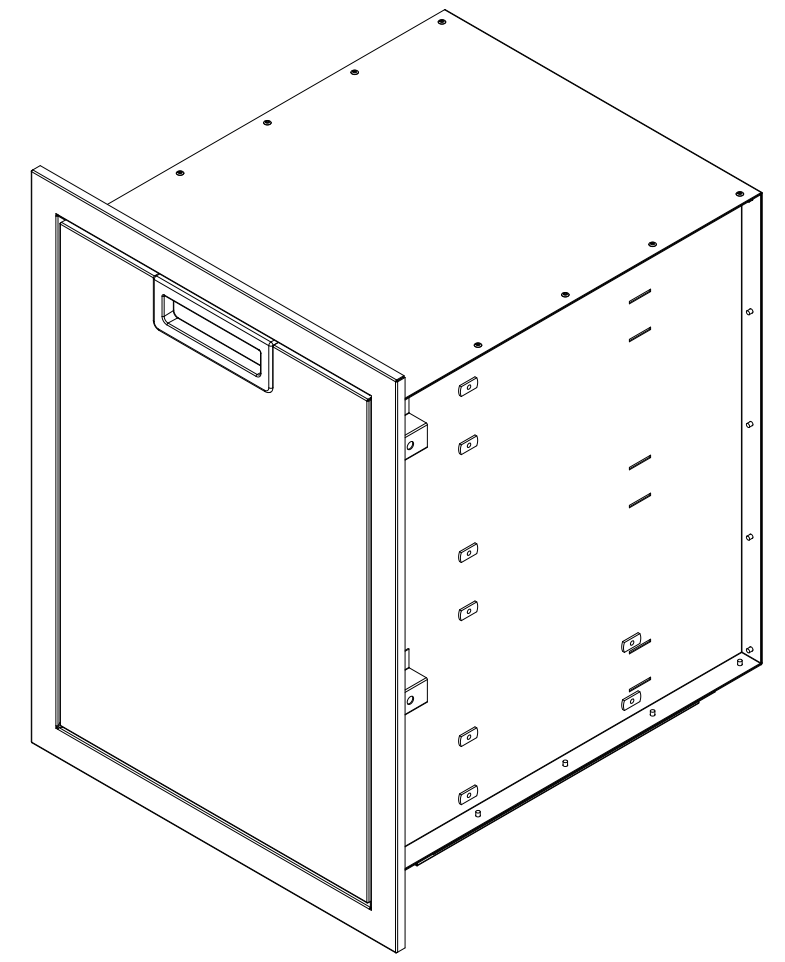
CROWN VERITY			
37 Adams Blvd., Brantford, Ontario, N3S 7V8 P: (519) 751-1800 www.crownverity.com			
TITLE Infinite Built-In Storage Cabinet-Large with One Drawer			
SIZE B	Customer Crown Verity	DWG NO IBILC-1D	REV -
SCALE 1:8	01/01/2020	SHEET	1 of 2

REVISION HISTORY

REV	DESCRIPTION	DATE	APPROVED
-	Engineering Release	01/01/2020	Todd Stone



Dimensions shown are the actual physical dimensions. Additional clearances to the cabinetry are dependent on the tolerances of the cut-out. The suggested cut-out dimensions are listed in the chart below but these dimensions can be reduced if the tolerances are controlled. Please refer to the product manual for installation instructions.



Suggested Cut-out Dimensions		Dimensions are in inches Linear Tolerance: +/- .015 Bend Tolerance: +/- .020 Angular Tolerance: +/- 0.5 Radial Tolerance: +/- .005
Height	26.625	
Width	18.938	
Depth	23.000	
Material	SS 304	DRAWN BY: Todd Stone

CROWN VERITY

37 Adams Blvd., Brantford, Ontario, N3S 7V8
P: (519) 751-1800 www.crownverity.com

TITLE **Infinite Built-In Storage Cabinet-Large with One Drawer**

SIZE B	Customer Crown Verity	DWG NO IBLC-1D	REV -
SCALE 1:8	01/01/2020	SHEET	2 of 2