

General-purpose latch for home and garden gates

D LIFETIME
WARRANTY



Round
post
model for
chainlink
fences

LokkLatch® key-lockable, simplicity

- High-tech, stylish latch design
- Proven and reliable latching action
- Key lockable - no need for padlock
- Strong polymer design will not rust
- Marine-grade stainless steel components
- Vertical & horizontal adjustment
- Round-post model available



D&D Technologies

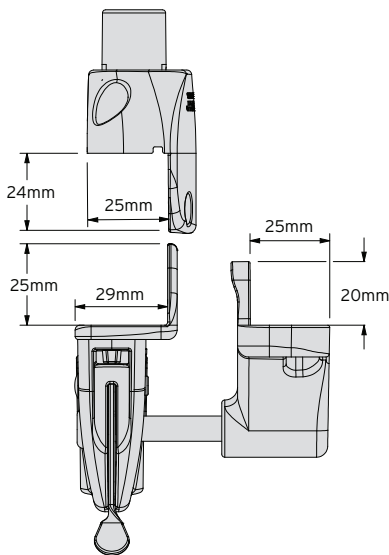
World's most trusted gate hardware



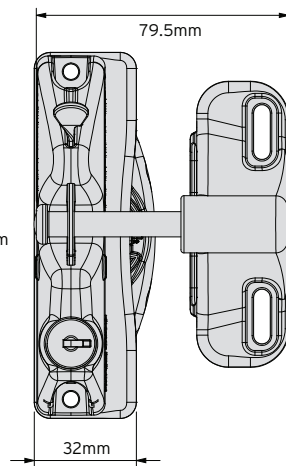
Optional External Access Kit (push button)

Product Dimensions

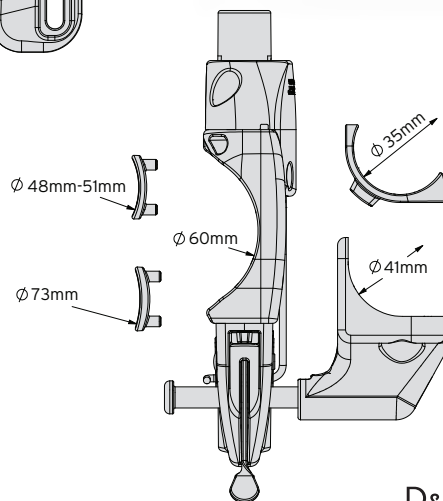
CODE	FEATURE	COLOUR	GATE MATERIAL	IDEAL GAP	GAP VARIANCE
LLAA	Latch only	Black	Metal, Wood, Vinyl	19mm	10-38mm
LLB	EAK only	Black	Metal, Wood, Vinyl	-	-
LLAAB	Latch + EAK	Black	Metal, Wood, Vinyl	19mm	10-38mm
LLABRND	Round Post latch + EAK	Black	Chainlink	38mm	32-57mm



External Access Kit (LLB)



NOTE: All standard LokkLatch models are keyed alike



Round Post model (LLABRND)

www.ddtechglobal.com

Unit 6, 4-6 Aquatic Drive, Frenchs Forest NSW 2086
Tel: (02) 9454 7888 Email: sales@ddtech.com.au