

High Security Padlocks

334 Series Steel Body Padlocks



The Lockwood 334 Steel Series Padlock range features shackles suitable for commercial and industrial high security and high corrosion applications offering added protection against attack.

Features

- Double ball locking
- Standard as latching function
- Can be converted to deadlocking (key retained) by simply relocating the cam plate pin in the cylinder assembly

Product Details

Materials	Body: Steel. Shackle: Molybdenum steel.
Function	Spring loaded shackle, available with latching function where the key can be removed with the shackle in the open position (L) or deadlocking function where the key is retained and can only be removed with the shackle in the locked position (D).
Finish	Body: Chrome plate. Shackle: Chrome plate.
Cylinder	Rekeyable 334 type padlock cylinder. Inline pin cylinders can be keyed to 5 or 6 pins.
Shackles	8.7mm diameter, 19, 25, 38, 48 & 90mm lengths.
Special Keying	Locks can be keyed to a number of controlled and / or specially keyed systems. These range from legally protected keys to protect against unauthorised duplication and can also include specially designed keying systems such as master key systems. This allows for different levels of mechanical access control. Bulk Locksmiths versions are available.

Note: Custom marking is available. Pricing and availability on application.

Standards and Compliance

SP6-8

Physical Security grades are employed for padlocks. These grades are defined in part by the effective differs and key combinations. Padlocks Physical Security (SP) grade range from 6-8.

Corrosion Resistance

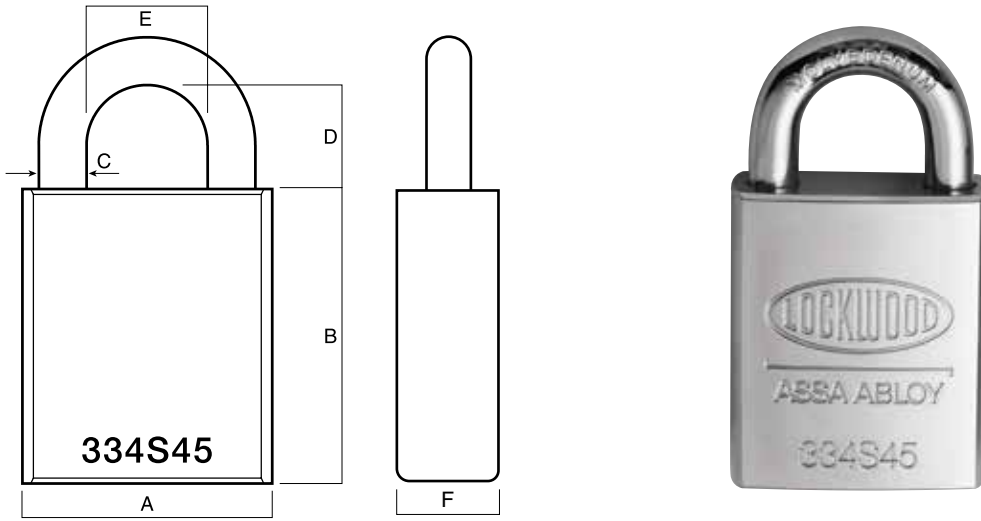
Rating C4: Environments that are often wet and/or subject to slight pollution by sulphur dioxide, acid, alkali or salt, including some particularly damp interiors and the majority of exterior environments.



Designed and tested to the Australian Padlock Standard AS4145.4 2002 and are rated for both security and corrosion resistance.

High Security Padlocks

334 Series Steel Body Padlocks



Specifications

Dimensions (mm)

Part Number	A	B	C	D	E	F	Physical Security Rating	Corrosion Resistance Rating
334S45/519	45	55	8.7	19	22	20	SP8	C4
334B45/138	45	55	8.7	38	22	20	SP7	C4
334B45/148	45	55	8.7	48	22	20	SP7	C4
334B45/190	45	55	8.7	90	22	20	SP6	C4

Available Pack Variations

Part Number	NDP	BK	5KA	5KD	6KA	6KD	6KA	6KD	6MK
334S45		•	•	•	•	•	•	•	•
334S45/519		•	•	•	•	•	•	•	•
334S45/538	•	•	•	•	•	•	•	•	•
334S45/548		•	•	•	•	•	•	•	•
334S45/590			•	•	•	•	•	•	•