

# KYGNM

## INSTRUCTION MANUAL

### KWM6PRO / KWM11PRO

UHF SINGLE & DUAL MICROPHONE FIXED-CHANNEL  
PROFESSIONAL WIRELESS SYSTEMS



Register your product online at:  
[www.jhs.co.uk/register-product](http://www.jhs.co.uk/register-product)

# KYGNM

Distributed Worldwide by:



[www.jhs.co.uk](http://www.jhs.co.uk)

JHS, SALEM HOUSE, PARKINSON APPROACH, GARFORTH, LEEDS LS25 2HR, UK.

If this product is ever no longer functional please take it to a recycling plant for environmentally friendly disposal. Due to continuous product development, specifications and appearance are subject to change. © 2019 JHS.

# KWM6PRO / KWM11PRO

## UHF SINGLE & TWIN FIXED-CHANNEL PROFESSIONAL WIRELESS MICROPHONE SYSTEMS

Thank you for purchasing this Kam product, we are sure that it will serve you for many years to come.

To optimise the performance of this product, please read these operating instructions carefully to familiarise yourself with the basic operations of this unit. Please retain them for future reference. This unit has been tested at the factory before being shipped to you.

To prevent or reduce the risk of electrical shock or fire, do not expose the unit to rain or moisture. To prevent a fire hazard, do not expose the unit to any naked flame sources. Unplug this apparatus during lightning storms or if it is unlikely to be used for long periods of time.

When installing the unit, please ensure you leave enough space around the unit for ventilation. Slots and openings in the unit are provided for ventilation to ensure reliable operation of the product and to protect it from overheating. To prevent fire hazard, the openings should never be blocked or covered.

If the unit is powered by the mains, always handle the power cable by the plug. Never pull out the plug by pulling on the cable. Never touch the power cable when your hands are wet as this could cause an electric shock.

Do not tie a knot in the cable. The power cable should be placed such that it is not likely to be stepped on. A damaged power cable can cause a fire or give you an electrical shock. Check the power cord periodically, if you ever find that it is damaged, replace it before using the unit again. Contact your retailer for a replacement.

The voltage of the available power supply differs according to country or region. Be sure that the power supply voltage of the area where this unit is to be used meets the requirements written on the unit.

**Caution:** To prevent the risk of electric shock, do not attempt to open the unit. No user-serviceable parts inside. Refer all servicing to qualified service personnel.

Select the installation location of your unit carefully. Avoid placing it in direct sunlight or locations subject to vibration and excessive dust. Do not use the unit where there are extremes in temperature (below 41°F / 5°C or exceeding 95°F / 35°C).

### **Unpacking and safety**

Please unpack your new product carefully. Your new product should reach you in perfect condition.

Check that no damage has occurred during transit. If any damage is found, do not operate your unit.

Please contact the retailer you purchased it from immediately. If there is any damage to the mains cable do not use the device.

Always disconnect the unit from the mains supply when carrying out any cleaning of the unit

## Technical Specifications

### **Receiver**

Carrier Frequency: 863.00MHz, 863.50MHz, 864.00MHz or 865.00MHz

Dynamic Range: >96dB

Distortion: <0.3%

Frequency Response: 30Hz~20KHz ±2dB

Signal / Noise Ratio: 96dB

Receiving Sensitivity: -95dBm

Transmission Delay: <3ms

Power Supply: DC12V 500mA

Audio Output: 1x 6.3mm, 2 x XLR balance output

### **Handheld Microphone**

Carrier Frequency: 863.00MHz, 863.50MHz, 864.00MHz or 865.00MHz

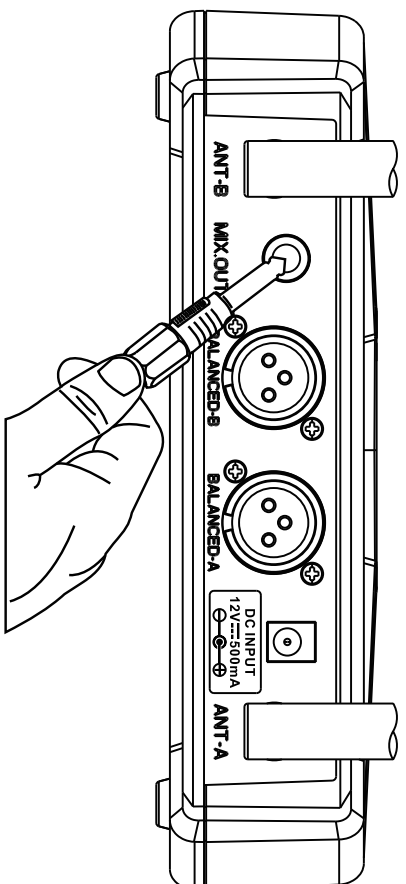
Power Output: 10-30mW

Harmonic Radiation: <-50dBc

Battery: 2 x 1.5V AA batteries

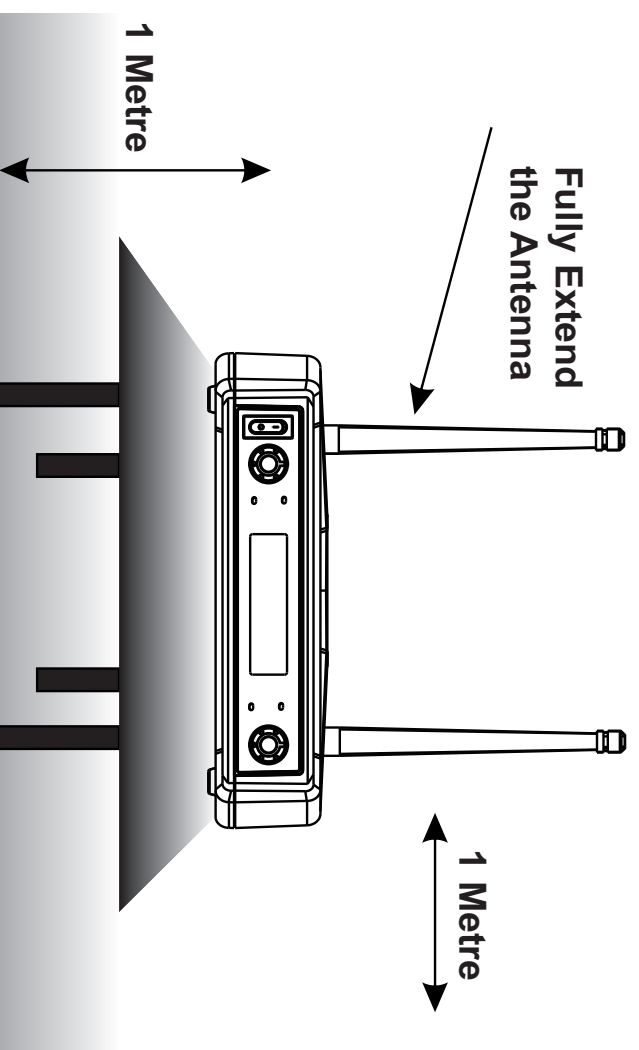
Battery life: >5 hours

## Receiver Operation



1. Place antennas in an upright position.
2. Connect to an audio output:
  - A. *MIX output:*  
Connect one end of the audio cable into the MIX OUT socket and the other end connect to an amplifier or mixer.
  - B. *Separate output BALANCE OUT*  
Connect one end an audio cable (not included) into CH.A socket and the other end connect to an amplifier or mixer. If operating a dual microphone system connect one end of the audio cable into CH.B socket and the other end connect to an amplifier or mixer.
3. Adjust volume control(s) to zero before turning on the receiver.
4. Connect the power cable to the receiver and turn on at the mains.
5. Turn on the receiver with the Power Switch. The LCD display will illuminate.

## Receiver Placement



1. Make sure the receiver is more than 1 metre away from a wall.
2. Make sure the receiver is more than 1 metre away from the floor.
3. Make sure both antennae are in a vertical position to receive the signal.

## System Features KWM6PRO

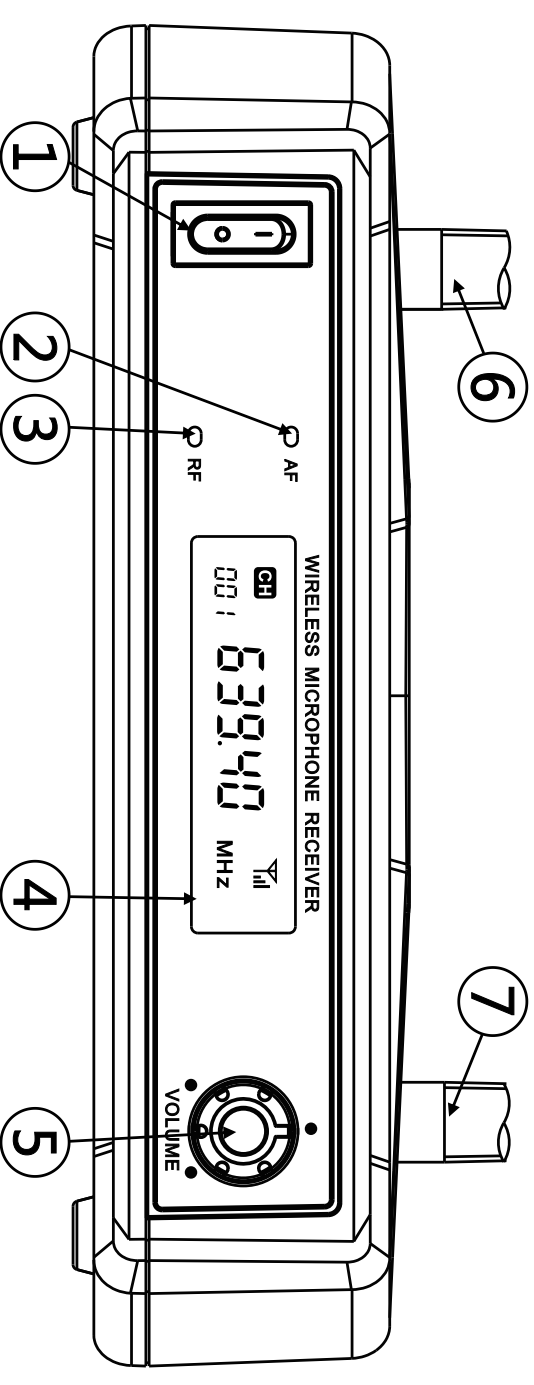
### Receiver

- UHF Single Fixed-Channel Receiver operates on either 863.00MHz, 863.50MHz, 864.00MHz or 865.00MHz. See packaging for the specific frequency of your system.
- LCD display with channel and frequency information
- AF & RF LED channel indicators
- Microphone volume control
- 2 x Antenna
- Balanced audio output and mix output socket
- Mains driven – PSU included

### Microphone

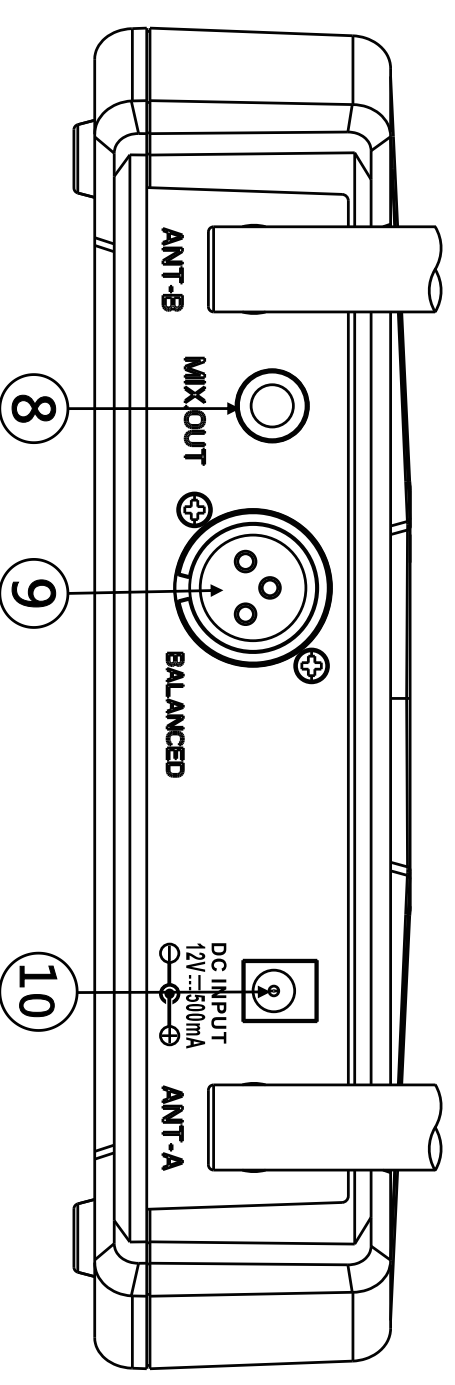
- 1 x Wireless Microphone
- LCD display showing frequency and channel
- On/Off switch
- 2 x 1.5V AA Batteries per microphone (batteries included)
- Working distance up to 50m

### Controls and Functions



### Receiver ~ Front Panel

1. Power Switch
2. AF indicator
3. RF indicator
4. LCD display
5. Volume
6. Antenna A
7. Antenna B



### Receiver ~ Rear Panel

8. Mix output
9. Balanced output socket
10. DC power input socket

## System Features KWM11PRO

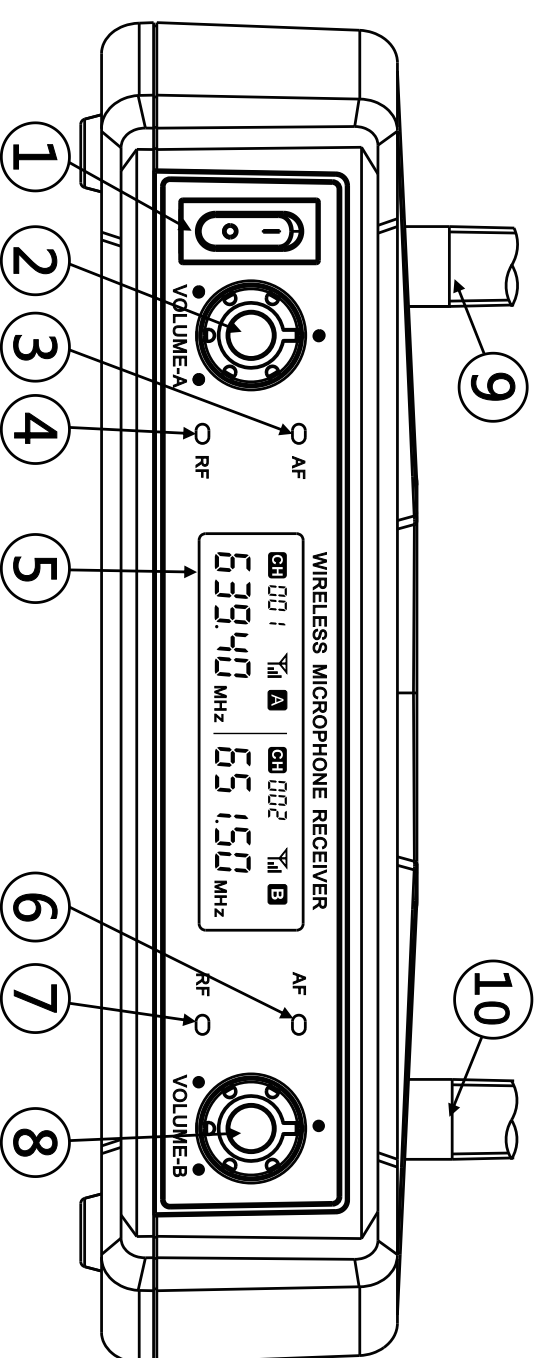
### Receiver

- UHF Single Fixed-Channel Receiver operates on either 863.00MHz, 863.50MHz, 864.00MHz or 865.00MHz. See packaging for the specific frequency of your system.
- LCD display with channels and frequency information
- AF & RF LED channel indicators
- Microphone volume controls
- 2 x Antenna
- Balanced audio outputs and mix output socket
- Mains driven – PSU included

### Microphone

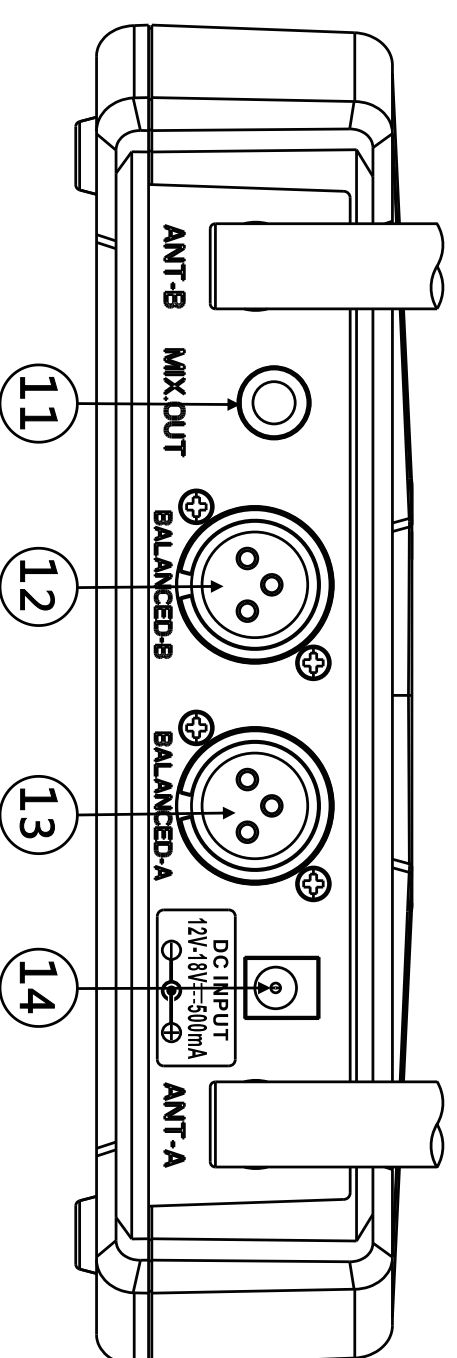
- 2 x Wireless Microphones
- LCD display showing frequency and channel
- On/Off switch
- 2 x 1.5V AA Batteries per microphone (batteries included)
- Working distance up to 50m

### Controls and Functions



#### Receiver ~ Front Panel

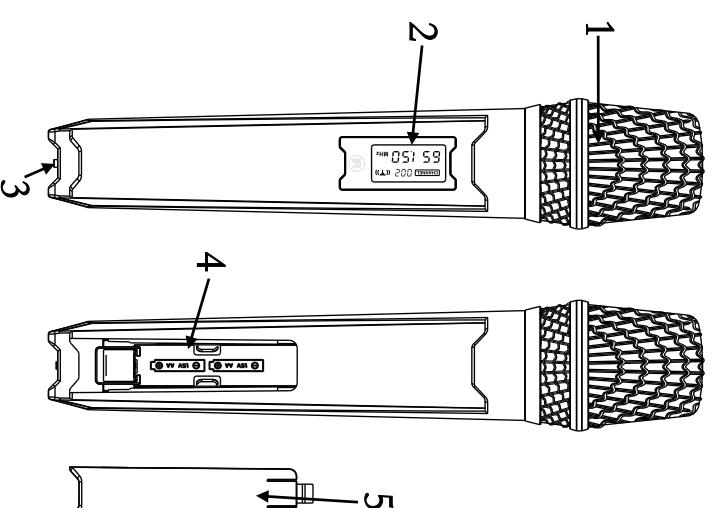
1. Power Switch
2. Volume channel A
3. Channel A – AF indicator
4. Channel A – RF indicator
5. LCD display
6. Channel B – AF indicator
7. Channel B – RF indicator
8. Volume channel B
9. Antenna channel A
10. Antenna channel B



#### Receiver ~ Rear Panel

11. Mix output socket
12. Balanced output socket channel B

13. Balanced output socket channel A
14. DC power input socket

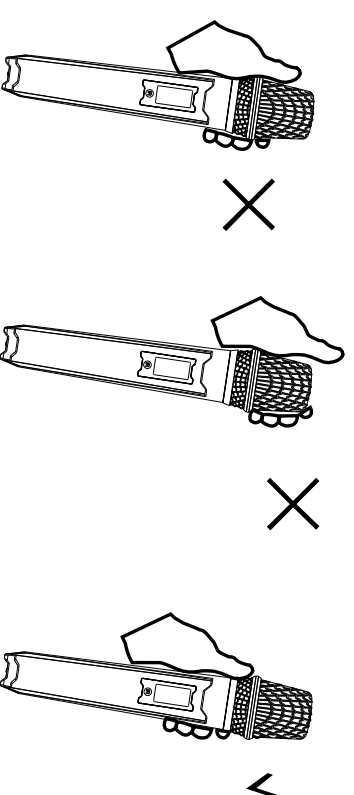


### Microphone

- Unclip the battery cover (5) and insert 2 x 1.5V AA batteries. Make sure the batteries are the correct way around, ensuring the correct polarity.
- Turn on the microphone by momentarily pushing the red power switch on the bottom of the microphone (3). The LCD display (2) will illuminate, showing the Channel and operating frequency.
- The receivers RF LED will illuminate green indicating the microphone is connected to the receiver.
- The receivers AF LED will illuminate orange when an audio signal is being received from the microphone.
- Repeat the above procedure for the second microphone if operating a dual microphone system.
- Your system is now setup for use. Adjust the volume levels according to your needs.

1. Grille
2. LCD display. Indicates the microphone information status
3. ON/OFF switch
4. Battery compartment
5. Battery compartment cover

### Handheld Microphone Operation



1. Don't hold the microphone grille.

2. Avoid holding the microphone on the antenna position.

3. Don't put the two microphones together when using.
4. The distance between the grille and mouth should be less than 15cm.
5. Avoid pointing the grille against speakers.