

---

# Apollo

SOFAS

Antonio Citterio



## Description

Apollo is a new range of upholstered furniture designed for Maxalto by Antonio Citterio. The collection is composed of three sofa types, united by pleasantly curved but rigorous lines, which distinguishes each element and creates a harmony between curves and linear forms. In its fluid shape, where the corners seem designed to accommodate the body, geometry becomes comfort with Apollo. At first glance, the upholstery of the seat and cushions, the backrest height, the lack of feet, and the generous seat depth are the elements that make Apollo welcoming and appealing. The fabric covers are embellished with a raised stitch detail, while for the leather covers sport a sophisticated envelope stitching. With its clear, easy-to-understand shape Apollo stands out.

---

## Technical information

### Back internal frame

tubular steel and steel profiles

### Seat internal frame

solid wood

### Back internal frame upholstery

Bayfit® flexible cold shaped polyurethane foam, polyester fibre

### Seat internal frame upholstery

shaped polyurethane of different density, polyester fibre cover

### Seat cushion upholstery

shaped polyurethane of different density, sterilized down, polyester fibre cover

### Back cushion upholstery

shaped polyurethane, sterilized down

### Lower edge

aluminium extrusions

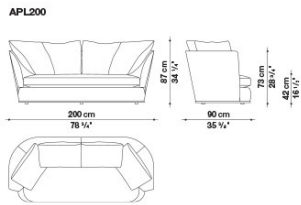
### Ferrules

plastic material

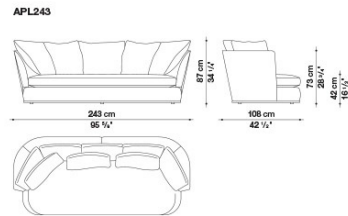
### Cover

fabric (raised stitching) or leather (envelope stitching)

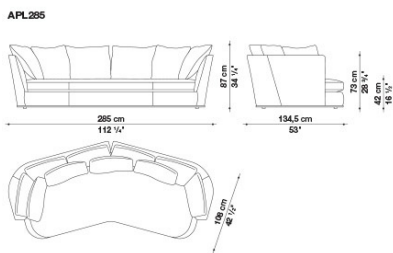
# Technical drawings



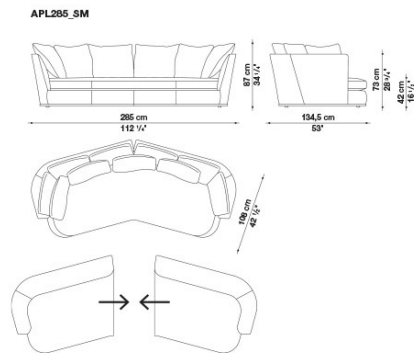
APL200



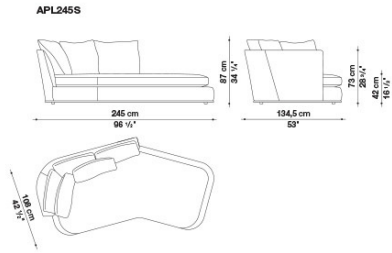
APL243



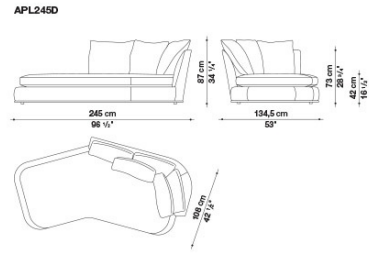
APL285



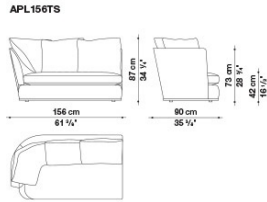
APL285\_SM



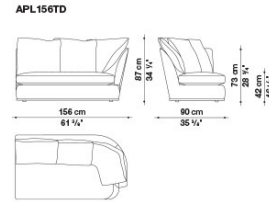
**APL245S**



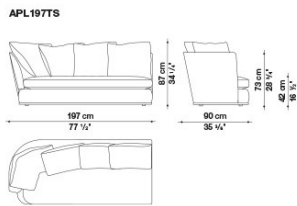
**APL245D**



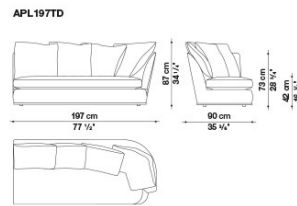
**APL156TS**



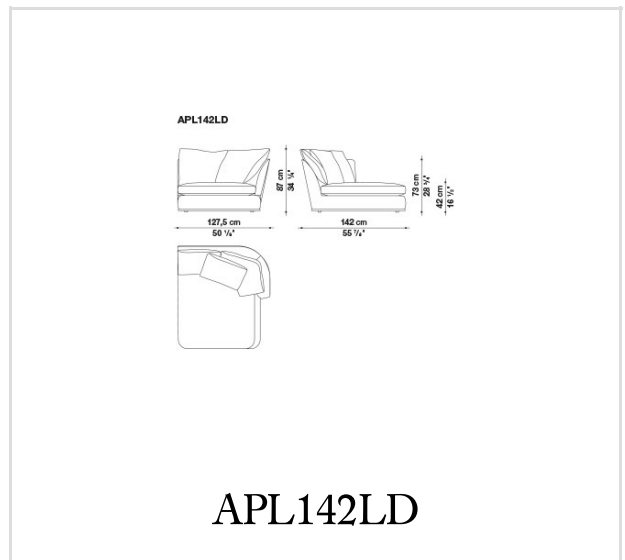
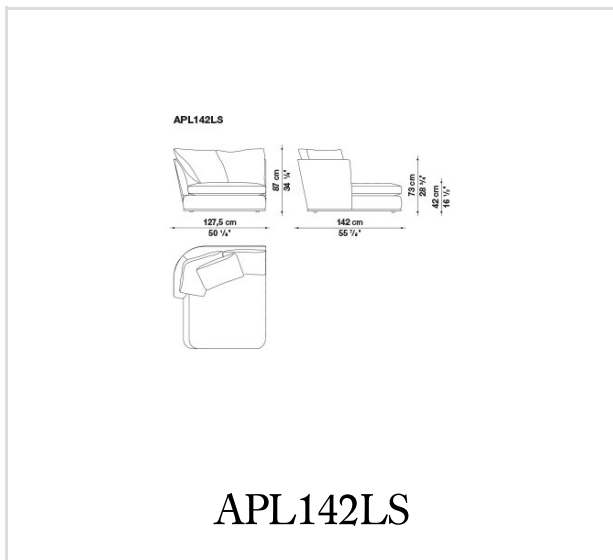
**APL156TD**



**APL197TS**



**APL197TD**



B&B Italia reserves the right to make technological and aesthetic improvements to its models, including changes to the sizes and materials, without notice. The technical drawings do not define the details of the product. The measurements shown are indicative and may undergo changes. In particular, the dimensions relevant to the padded parts are subject to usage tolerances over time caused by the normal adjustment of the padding. For the specific information, please contact the dealer closest to you.