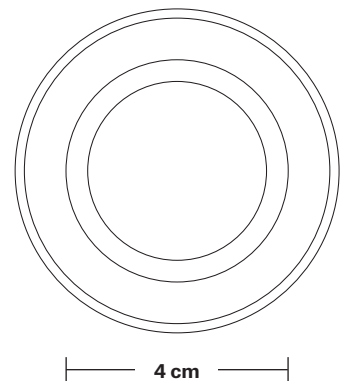
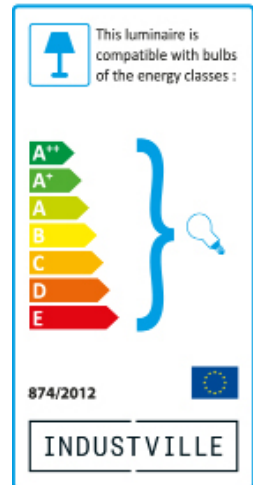
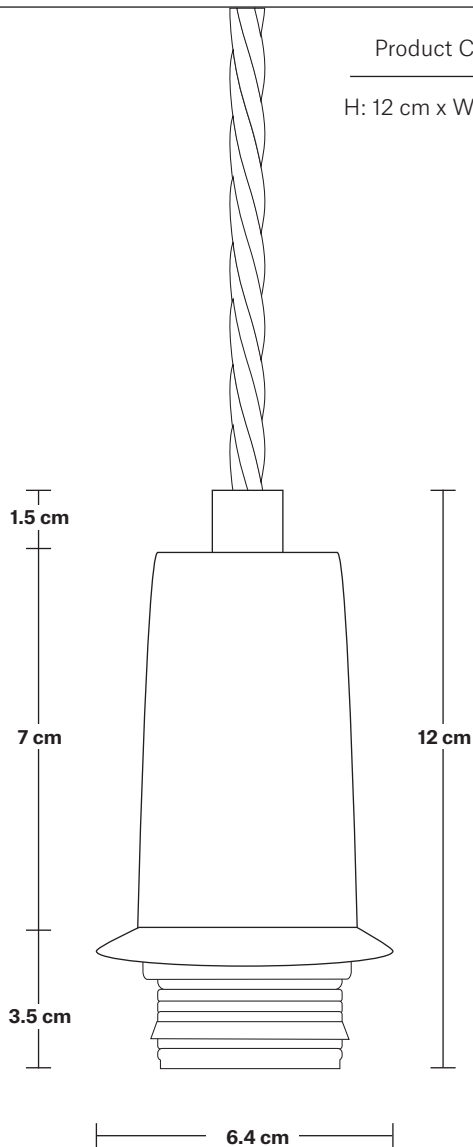


Sleek Edison Cord Set ES E27 Bulb Holder - Ring & Fabric Flex

Product Code: SL-ECS

H: 12 cm x W: 4 cm x D: 4 cm



SPECIFICATIONS

We meet all UK and EU lighting and safety regulations.

Our products are hand finished to ensure an authentic vintage look and therefore they may vary slightly from those shown in the images.

Bulb required: Standard screw (E27) fitting, max 25W.

Weight: 0.27 kg

INFORMATION

Finishes: Brass, Pewter, Copper.

Ready to be installed, installation required.

Wall mount screws not included.

DIMENSIONS

Bulb Holder Height: 12 cm / 4.7"

Bulb Holder Depth: 4 cm / 1.5"

INDUSTVILLE

Sleek Edison Cord Set ES E27 Bulb Holder - Ring & Fabric Flex

Sleek Edison Cord Set ES E27 Bulb Holder - Ring & Fabric Flex

Sleek Edison Cord Set ES E27 Bulb Holder - Brass Ring & Fabric Flex	SL-ECS-B
Sleek Edison Cord Set ES E27 Bulb Holder - Pewter Ring & Fabric Flex	SL-ECS-P
Sleek Edison Cord Set ES E27 Bulb Holder - Copper Ring & Fabric Flex	SL-ECS-C