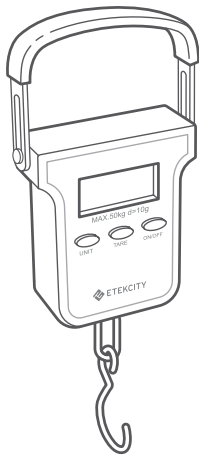




Digital Hanging Scale

Model No.: EHS-18



Thank you for purchasing the
Digital Hanging Scale by Etekcity.

If you have any questions or concerns, please reach out to our helpful Customer Support Team at **support@etekcity.com**. We hope you enjoy your new scale!

Table of Contents

Package Contents	3
Specifications	4
Safety Information	4
Function Diagram	5
LCD Display	6
Setup	7
• Battery Installation	7
Operation	8
• Weight Measurement	8
• Unit Conversion	8
• Data Hold Function	9
• Tare Function	9
Care & Maintenance	10
• Replacing Batteries	10
Warranty Information	11
Customer Support	13

Package Contents

1 x Digital Hanging Scale
2 x 3V CR2032 Batteries (Pre-Installed)
1 x Carrying Pouch
1 x User Manual

Specifications

Dimensions	8.3 x 3.4 x 1.1 in / 210 x 86 x 29 mm
Weight Capacity	110 lb / 50 kg
Units	oz / g / lb / kg
Auto-Off	60 seconds
Power	2 x 3V CR2032 Batteries

Weight of Object	Accuracy
< 44 lb (20 kg)	+/- 0.4 lb (0.2 kg)
> 44 lb (20 kg)	+/- 0.8 lb (0.4 kg)

Safety Information

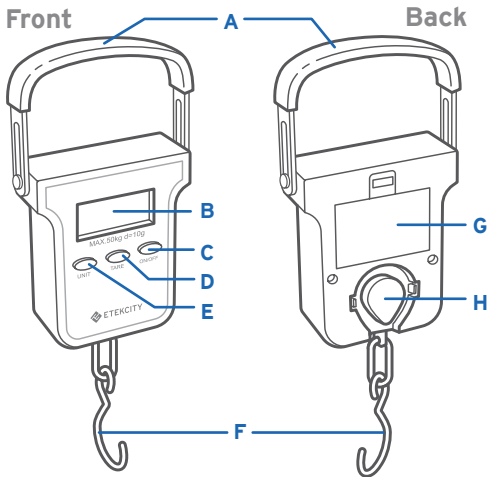
**Follow all instructions and safety guidelines.
Read all instructions before using.**

- **Do not** exceed the weight capacity of 110 lb (50 kg). An overload indicator will appear on the digital display if the limit is exceeded.
- This scale is not intended for commercial or heavy-duty use. Household use only.
- **Do not** throw or strike the scale and do not submerge the scale in water.

**SAVE THESE
INSTRUCTIONS**

Function Diagram

- A. Handle
- B. LCD Display
- C. ON/OFF Button
- D. TARE Button
- E. UNIT Button
- F. Hook
- G. Battery Compartment
- H. Hook Storage



LCD Display

- A. Measured weight is less than the calibrated tare weight
- B. Displayed weight is the tared weight
- C. Last measured weight
- D. Weight in grams
- E. Weight in ounces
- F. Weight in kilograms
- G. Weight in pounds
- H. Maximum weight capacity has been exceeded (remove object from hook immediately)
- I. Battery low

H



I



A
B
C



D
E
F
G

Setup

Battery Installation

1. Open the battery cover.
2. Remove the insulation strip to activate the batteries. *[Figure 1.1]*
3. When replacing the batteries, make sure to insert them under the proper polarity.

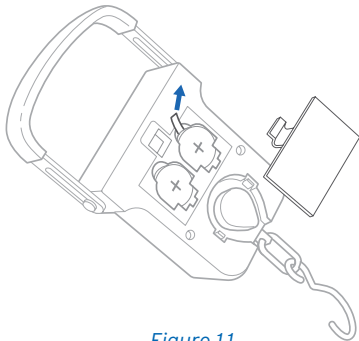


Figure 1.1

Operation

Weight Measurement

1. Press **ON/OFF** and the screen will light up. Wait for "000" to appear on the screen. [Figure 2.1]
2. Hang the object you want to measure on the hook.
3. Lift the scale with the object and hold still until the weight measurement stabilizes. The display will show the weight and "**Hold**".
4. To measure another item, remove the object and repeat steps 2 and 3.

5. Press **ON/OFF** to turn the scale off. The scale will automatically turn off if the scale is inactive for 60 seconds.

Note: To avoid result inaccuracy, keep the scale upright when measuring. **Do not** touch or move the scale during measurement. **Always** grasp the scale by the handle.



Figure 2.1

Unit Conversion

Press **UNIT** repeatedly to change the unit of measurement (oz / g / lb / kg).

Data Hold Function

Once the weight has stabilized and “**Hold**” appears on screen, the weight will stay on the screen for 60 seconds, or until you measure another object or press **TARE**.

Turning the data hold function on or off:

1. When the scale is on, press and hold **TARE** for 3 seconds.
2. Press **UNIT** to alternate between turning data hold function on or off.
Hoon - Data hold function on
HooF - Data hold function off
3. Press **TARE** to confirm selection.

Tare Function

The tare function allows users to weigh an object inside a container by subtracting the weight of the container from the total weight.

1. Hang the container on the weighing scale hook and allow the weight to stabilize and lock (the word “**Hold**” will appear).
2. Hold the scale stable and press **TARE** to tare the current weight. The display will show “000”.
3. Place the object you want to weigh inside the container and the scale will calculate the weight of the object without the weight of the container.

Care & Maintenance

- **Do not** use chemical detergents to clean the scale. Use a soft, damp cloth if needed.
- If not in use for a long period of time, remove the batteries and store the scale in a cool, dry environment to avoid circuit damage.

Replacing Batteries

1. Locate the battery compartment on the back of the scale and remove the battery compartment cover.
2. Ensure the **+** side of the battery is facing up and insert the batteries into the battery slots. [Figure 3.1]
3. Replace cover.

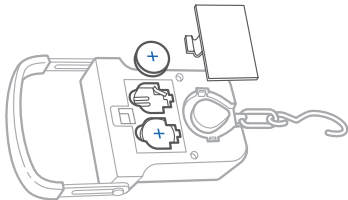


Figure 3.1

Warranty Information

Product	Digital Hanging Scale
Model	EHS-18
<i>For your own reference, we strongly recommend that you record your order ID and date of purchase.</i>	
Order ID	
Date of Purchase	

Terms & Policy

Etekcitey Corporation ("Etekcitey") warrants this product to the original purchaser to be free from defects in material and workmanship, under normal use and conditions, for a period of 2 years from the date of original purchase.

Etekcitey agrees, at our option during the warranty period, to repair any defect in material or workmanship or furnish an equal product in exchange without charge, subject to verification of the defect or malfunction and proof of the date of purchase.

This warranty does not apply to the following:

- If the product has been modified from its original condition;
- If the product has not been used in accordance with directions and instructions in the user manual;
- To damages or defects caused by accident, abuse, misuse or improper or inadequate maintenance;
- To damages or defects caused by service or repair of the product performed by an unauthorized service provider or by anyone other than Etekcitey;
- To damages or defects occurring during commercial use, rental use, or any use for which the product is not intended;
- To damages or defects exceeding the cost of the product.

Etekcitey will not be liable for indirect, incidental, or consequential damages in connection with the use of the product covered by this warranty.

This warranty extends only to the original consumer purchaser of the product and is not transferable to any subsequent owner of the product regardless of whether the product is transferred during the specified term of the warranty.

This warranty does not extend to products purchased from unauthorized sellers. Etekcitey's warranty extends only to products purchased from authorized sellers that are subject to Etekcitey's quality controls and have agreed to follow its quality controls.

All implied warranties are limited to the period of this limited warranty.

This warranty gives you specific legal rights and you may also have other rights which vary from state to state. Some states do not allow the exclusion or limitation of incidental or consequential damages, so the above limitation or exclusion may not apply to you.

If you discover that your product is defective within the specified warranty period, please contact Customer Support via support@etekcity.com.

DO NOT dispose of your product before contacting us. Once our Customer Support Team has approved your request, please return the product with a copy of the invoice and order ID.

Every Etekcitey product automatically includes a 2-year warranty. To make the customer support process quick and easy, register your product online at www.etekcity.com/warranty.

This warranty is made by:

Etekcitey Corporation
1202 N. Miller St., Suite A
Anaheim, CA 92806

Customer Support

If you have any questions or concerns about your new product, please contact our helpful Customer Support Team.

Etekcitey Corporation

1202 N. Miller St., Suite A
Anaheim, CA 92806

Email: support@etekcity.com

Toll-Free: (855) 686-3835

Support Hours

Monday - Friday

9:00 am - 5:00 pm PST/PDT

**Please have your order invoice and order ID ready before contacting Customer Support.*

Notes

Connect with us @Etekcity





A4-01.04_D_21K22_us