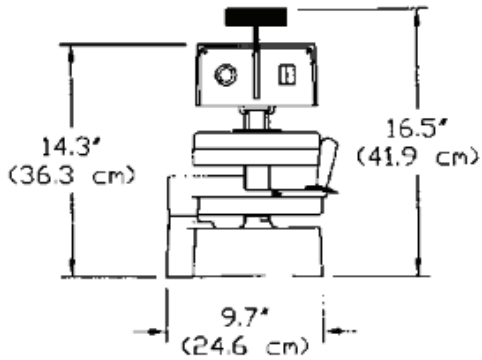
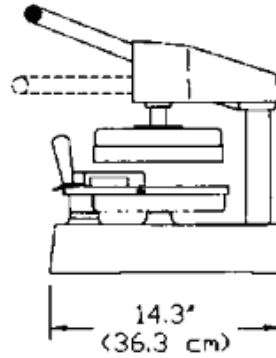


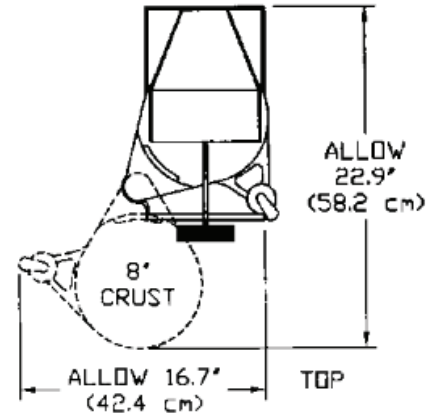
DP6008



FRONT VIEW



SIDE VIEW



TOP VIEW

Equipment Details

Temperature Control	Yes	Pies Per Hour	60+
Maximum Heat	425F/218C	Shipping Weight	36lbs/16kg
Timer	Yes	Machine Weight	32lbs/14kg
Thickness Control	No	Voltage	120/240
ON/OFF Switch	Yes	Wattage	1750/2800
Power Cord Length	72"	Amps	14.5/11.6



PROLUXE™

CORPORATE HEADQUARTERS
20281 HARVILL AVE. PERRIS, CA 92570

HELPING COMMERCIAL KITCHENS
PRODUCE GREAT FOOD FASTER

ADVICE AND SUPPORT
1-800-624-6717

Easy Flat Breads, Pizzas, and More

This ultra-compact dough press is ideal for making personal pan pizzas, flat breads, or kid-friendly pizzas. Simple functions and small footprint make this unit an easy addition for any type of cuisine or restaurant.

DP6008

Single Heat Manual 8" Dough Press



Fresh and Fast

Easy to use operation. The press features an 8" diameter mold and single heat upper platen.



COMPACT SIZE



SINGLE HEATED PLATENS



PAR BAKE FOR LONGER HOLD TIMES



PRESSED IN SECONDS