

Solana Triangular End Table



Walnut

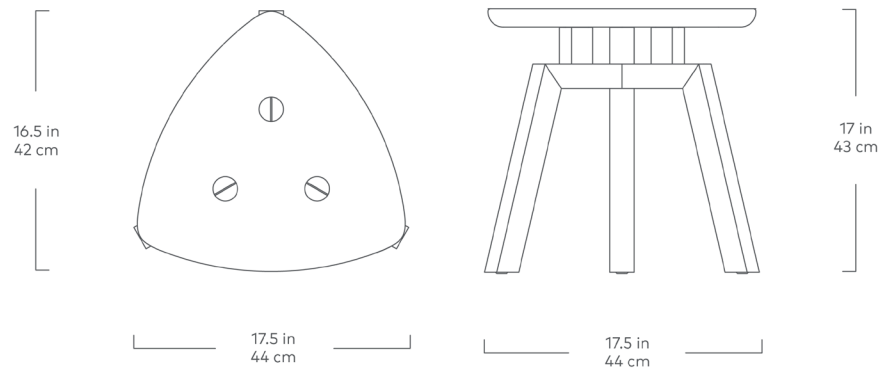


Natural
Ash

Channeling classic mid-century style with the relaxed ambiance of 1970's Modernism, the Solana Triangular End Table showcases solid wood craftsmanship and sculptural beauty. The organic curves of the tabletop rest upon angular legs, creating a pleasing contrast unified by the warmth of the smooth wood grain. Visible joinery details—seamless wedged tenon joints in the top, finger joint detailing in the legs—add subtle interest to this refined accent piece. Part of the Solana Table Series, it is designed to nest with the Solana Oval or Triangular Coffee Table.

Design Trade Professionals: We aim to keep our designs in stock and ready to ship quickly for projects on a tight timeline. Designs may be customized with COM and alternate finishes (minimum quantities may apply). Visit guscontract.com for more information about our Trade & Contract programs.

Solana Triangular End Table



- Crafted from solid Walnut or Ash.
- Solid ash is 100% FSC®-Certified in support of responsible forest management (FSC® 092551).
- Exposed, wedged tenon joinery on a CNC-routed tabletop.
- Solid, angled legs showcase finger-joint detailing.
- Bumpers on the bottom of base to protect hardwood floors.
- Water-based, clear coat finish.
- Not recommended as a stool.
- Nests with Solana Oval Coffee Table and Solana Triangular Coffee Table.
- Each Solana Table features its own distinct grain pattern and coloring. These variations make each design natural and unique.

