



PRODUCT SHEET

Knitting Lounge Chair
by Ib Kofod-Larsen

Knitting Lounge Chair

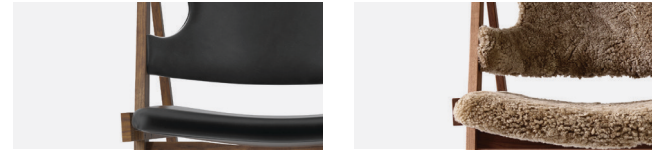
BY IB KOFOD-LARSEN

First launched as a limited edition in 1951, Ib Kofod-Larsen's Knitting Lounge Chair is reimagined with a natural oak, dark stained oak or walnut frame. The distinctive piece is meticulously handcrafted by skilled artisans, merging traditional craftsmanship techniques with modern technology to create an unforgettable and timeless design of the highest quality.



PRODUCT OPTIONS

SEAT



WITH UPHOLSTERY

WITH SHEEPSKIN

OAK OR WALNUT BASE



NATURAL OAK

DARK STAINED OAK

WALNUT

SPEC OPTIONS

Available in fabrics from our upholstery programme. Standard lead times apply.

For custom upholstery, please refer to the guiding textile/leather consumption:

COM: 1,7 m / 1,87 yds

COL: 3,15 m² / 33,9255 sqft

Prices excl. custom upholstery are equal to Price Category 1 Textile or Leather. Contact Sales support for approval of custom upholstery and to place your order.

The above textile consumption is only valid for textile rolls with a width equal to or greater than 140 cm. For smaller textile rolls, please contact Sales Support for guidance. For textile with pattern, please expect a higher usage for correct pattern fitting. Please contact Sales Support for guidance.

Knitting Lounge Chair

BY IB KOFOD-LARSEN

TECHNICAL SPECIFICATIONS

PRODUCT TYPE
Lounge chair

COLLI
1

ENVIRONMENT
Indoor

DIMENSIONS
H: 90,6 cm / 35,7"
W: 71,3 cm / 28,1"
D: 66,9 cm / 26,3"
SH: 30 cm / 11,8"

PRODUCTION PROCESS
Solid oak or walnut frame is CNC milled and treated with a wax-oiled finish. Seat and backrest are made from curved plywood and upholstered in textile, leather or sheepskin. Assembly are done by hand.

COLOUR

Seat and backrest
Dependent upon selected upholstery

Base
Natural oak
Dark stained oak
Walnut

MATERIALS

Wax-oiled solid oak, dark stained oak or walnut, curved plywood, CAL117 foam in textile, leather or 17 mm sheep skin

GLOSS
N / A

WEIGHT
11 kg / 24,3 lb

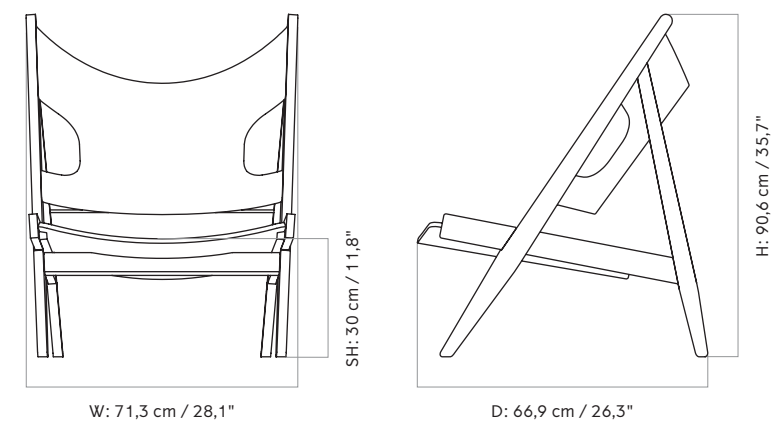
TEST
N / A

CERTIFICATIONS
N / A

PACKAGING TYPE
Brown box

PACKAGING MEASUREMENTS (H x W x D)
95 cm x 80 cm x 75 cm / 37,4" x 31,5" x 29,5"

MATERIALS & MAINTENANCE
Please visit [menspace.com](https://www.menspace.com) for materials, care and maintenance instructions.



W: 71,3 cm / 28,1"

D: 66,9 cm / 26,3"