

Quinta CC 2 | CC 2 / 600

Charging and Transport Case

FEATURES

- Modular case to accommodate the microphone units, charging electronics and discussion control unit
- Integrated power supply unit for charging 1 to 10 microphone units
- Simultaneous charging of all batteries without a previous discharge being necessary
- Window to observe the charging status

DESCRIPTION

The Quinta CC 2 is a modular charging and transport case. The basic version consists of a cover (Quinta CT 2), a charging unit (Quinta CD 2) for 10 microphone units and a bottom with casters (Quinta CW 2), which provides room for the Quinta CU control unit, spare gooseneck microphones and other accessories. This version can be used for the Classis GM 313 Q, GM 314 Q and GM 315 Q gooseneck microphones.

Microphone units equipped with the Classis GM 316 Q can use the Quinta CC 2 / 600 charging and transport case, which is shipped with a higher top cover (Quinta CT 2 / 600). Each charging unit has 10 compartments for the microphone units. On both sides there are handles for comfortable carrying. It is recommended to use not more than two Quinta CD 2 charging units on top of each other, because the top might become too heavy. Quinta CD 2 charging units that are used with microphone units equipped with Classis GM 316 Q gooseneck microphones can not be stacked due to the length of the microphone.

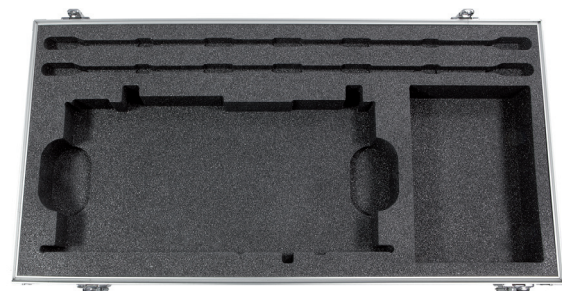
The body of the case is made of plywood with a washable foil inside and "Oslo" silver-grey laminate outside. The case is equipped with ball bearing casters with a diameter of 80 mm. Two of the casters are equipped with brakes. Silver anodised aluminium profiles protect the edges from shocks and ensure an exact fitting of the individual sections. There are four locking chromium-plated automatic locks per section. For charging the microphone units are put into the charging facilities. Shock-mounted charging contacts ensure the electric connection between microphone unit and power supply unit. All batteries are charged simultaneously. After approximately 2.5 hours the battery is fully charged, depending on the previous use. The charging state of the batteries is indicated by the LED ring of the gooseneck microphone and can be seen from the outside through a glass panel or when the cover is opened. To avoid a self-discharge of the batteries, trickle charging is carried out. So each microphone unit has its full capacity at any time. Therefore, beyerdynamic recommends the charger being connected to the mains permanently.



Quinta CC 2



Quinta CC 2 / 600



Quinta CW 2

Quinta CC 2 | CC 2 / 600

ARCHITECT'S SPECIFICATIONS

The modular charging and transport case shall accommodate up to 10 Quinta MU 21/22/23 microphone units in conjunction with the Classis GM 313/314/315 Q gooseneck microphones. The charging case shall consist of the CW 2 base with ball bearing mounted casters, two casters with stops, and room for the Quinta CU control unit, spare goose-neck microphones and other accessories. The CD 2 charger for microphone units shall be provided with an integrated power supply, handles for carrying and a higher CT 2 cover. The body of the case shall consist of multi-glued plywood. The interior shall be provided with a foil and the exterior with high-tensile laminate. The surface shall be "Oslo" silver-grey. The aluminium profiles shall be silver anodised. Each charger shall be provided with locking automatic locks. The foam insert shall be provided with shock-mounted charging contacts. The charger shall be provided with an acrylic glass panel for recognising the charging status indicated by the LED ring of each microphone unit. The rechargeable batteries of the microphone units shall be recharged in parallel with a charging time of max. 2.5 hours via a processor-controlled, intelligent, charging electronic. Dimensions (WxHxD): 757x691x370mm [29.8"x27.2"x14.57"].

Manufacturer: beyerdynamic
Type: Quinta CC 2

The charging and transport case shall accommodate up to 10 Quinta MU 21/22/23 microphone units in conjunction with the Classis GM 316 Q gooseneck microphone. It shall consist of the CW 2 base with ball bearing mounted casters, two casters with stops, and room for the Quinta CU control unit, spare goose-neck microphones and other accessories. The CD 2 charger for microphone units shall be provided with an integrated power supply, handles for carrying and a higher CT 2 / 600 cover. The body of the case shall consist of multi-glued plywood. The interior shall be provided with a foil and the exterior with high-tensile laminate. The surface shall be "Oslo" silver-grey. The aluminium profiles shall be silver anodised. Each charger shall be provided with locking automatic locks. The foam insert shall be provided with shock-mounted charging contacts. The charger shall be provided with an acrylic glass panel for recognising the charging status indicated by the LED ring of each microphone unit. The rechargeable batteries of the microphone units shall be recharged in parallel with a charging time of max. 2.5 hours via a processor-controlled, intelligent, charging electronic. Dimensions (WxHxD): 757x771x370mm [29.8"x30.35"x14.57"].

Manufacturer: beyerdynamic
Type: Quinta CC 2 / 600

The charging and transport unit shall accommodate up to Quinta MU 21/22/23 microphone units with Classis GM 313/314/315 Q gooseneck microphones. The body of the case shall consist of multi-glued plywood. The interior shall be provided with a foil and the exterior with high-tensile laminate. The surface shall be "Oslo" silver-grey. The aluminium profiles shall be silver anodised. Each charger shall be provided with locking automatic locks. The foam insert shall be provided with shock-mounted charging contacts. The charger shall be provided with an acrylic glass panel for recognising the charging status indicated by the LED ring of each microphone unit. The rechargeable batteries of the microphone units shall be recharged in parallel with a charging time of max. 2.5 hours via a processor-controlled, intelligent, charging electronic. Dimensions (WxHxD): 757x476x370mm [29.8"x27.2"x14.57"].

Manufacturer: beyerdynamic
Type: Quinta CD 2

VERSIONS

Quinta CC 2	Charging case for 10 Quinta MU 23/22/21 microphone units with GM 313/314/315 Q, consisting of Quinta CT 2 top cover, Quinta CD 2 charger, Quinta CW 2 bottom with casters Order # 723.967
Quinta CC 2/600	Charging case for 10 Quinta MU 23/22/21 microphone units with Classis GM 316 Q, consisting of Quinta CT 2 / 600 top cover, Quinta CD 2 charger, Quinta CW 2 bottom with casters Order # 724.580

OPTIONAL ACCESSORIES

Quinta CD 2	Charger for 10 Quinta MU 23/22/21 microphone units Order # 723.975
Quinta CM 2	19"-compartment for Quinta control unit. Order # 724.661
Quinta CT 2	Top cover Order # 724.556
Quinta CT 2/600	Top cover when using GM 316 Q microphones. Order # 724.580
Quinta CW 2	Bottom with casters and room for Quinta CU control unit, spare gooseneck microphones and other accessories Order # 724.564

TECHNICAL SPECIFICATIONS

CD 2 charger for CC 2 | CC 2 / 600

Power supply	100 - 240 V AC ~, 50 / 60 Hz
Fuse at the mains socket	2 x 6.3 A (slow blow)
Power consumption	typ. 170 W max. 210 W

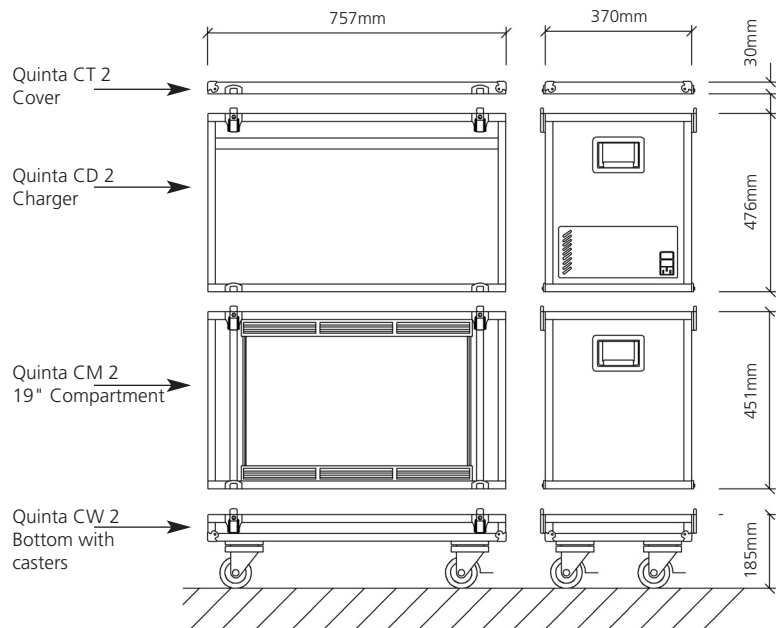
Max. ambient temperature when charging (< 90% atmospheric humidity)	+10 °C – +35 °C [+50 °F – +95 °F]
Storage temperature	-20 °C – +55 °C [-4 °F – +131 °F]
Charging unit.	10 microphone units parallel
Charging time	max. 3.5 hours when the battery is completely empty
Dimensions (W x H x D)	757 x 476 x 370 mm [29.8" x 18.74" x 14.57"]
Weight	approx. 12 kg

Quinta CC 2 | CC 2 / 600

DIMENSIONS

Quinta CC 2 Case (single charger unit)

Height 691 mm [27.2"]
 Length 757 mm [29.8"]
 Width 370 mm [14.57"]



DIMENSIONS

Quinta CC 2/600 Case with higher top cover

Height 771 mm [30.35"]
 Length 757 mm [29.8"]
 Width 370 mm [14.57"]

