

Unite CC

Cockpit Case



Picture of closed Unite CC-24P



Picture of opened Unite CC-24P with 6 charging modules each of them with 4 charging compartments



Picture of closed Unite CC storage bag for optional accessories



Picture of opened Unite CC storage bag for optional accessories

FEATURES

- Case for charging, transport and storage with various functions
- Button for pairing process
- Status indicator for pairing process
- Switch for "Pairing & Charging" or "Charging"
- Reset button
- Ethernet connection for network integration
- Additional options via Unite Manager PC Software
 - Maintenance and monitoring
 - Firmware updates
 - Pairing
 - Extensive configuration options
 - Setup of Unite transmitters, receivers, Unite AP4 Access Points
- USB connection for:
 - Pairing
 - Charging
- Removable and lockable cover
- Ergonomic carrying handle
- Rugged wooden construction with laminated cover and reinforced aluminium frame
- Stackable casing corners
- Lateral plastic feet
- Active fan
- Intergrated power supply with switchable IEC mains connection with fuse
- Lockable cover
- Optional:
 - more charging compartments so that up to 36 charging compartments for bodypack receivers/transmitters are available
 - Charging compartment for handheld transmitter and separate storage compartment
 - Soft case for accessories

APPLICATIONS

The Unite CC is a multifunctional device, which is used to charge the batteries integrated in the Unite transmitters and receivers as well as to store and transmit the pairing information (channel name, group ID, audio encryption key) from the transmitter to the receiver. For optimal security against unauthorised listening an audio encryption key will be generated inside the Unite CC and transmitted to the transmitters and receivers during the pairing process.

The Unite CC can be integrated into a network by using the Ethernet connection. The Unite Manager PC software provides additional functionality - monitoring, maintenance, comprehensive configuration, pairing and setup of transmitters, receivers and Unite AP4 access points.

When using the Unite Manager software, the case can be monitored remotely. Furthermore, firmware updates and configurations can be carried out via this software. For transport the Unite CC is equipped with an ergonomic carrying handle. The practical Unite CC also serves as storage for the Unite transmitters and receivers.

The Unite CC-24P version is provided with 24 charging compartments.

The Unite CC-36P version is provided with 36 charging compartments.

The charging status of the batteries is indicated by a status indicator on the transmitter or receiver.

Unite CC

TECHNICAL SPECIFICATIONS

AC input	100 – 240 V AC, 47-63 Hz
Fuse.....	2 x 3.15 A (time-lag)
Nominal current.....	2.2 A @115 V AC 1.1 A @ 230 V
Power consumption.....	150 W with 24 charging compartments 225 W with 36 charging compartments
Max. charging time	4 hours
Connections	Ethernet USB type C Power connector with switch
Temperature range	
Operation.....	0 to +28 °C
Storage	-20 to +50 °C
Relative humidity	0 to 90%
Dimensions	
incl. handle, base (l x w x h) ...	533 x 446 x 183 mm [21" x 17.6" x 7.20"]
Weight	
Unite CC-24P version	12.6 kg [27.78 lbs]
Unite CC-36P version	13.0 kg [28.66 lbs]
Charging compartments	
Unite CC-24P.....	max. 24 for bodypack devices
Unite CC-36P.....	max. 36 for bodypack devices

SUPPLIED ACCESSORIES

- Power cable
- Key for cover locks
- Quick Start Guide

VERSIONS

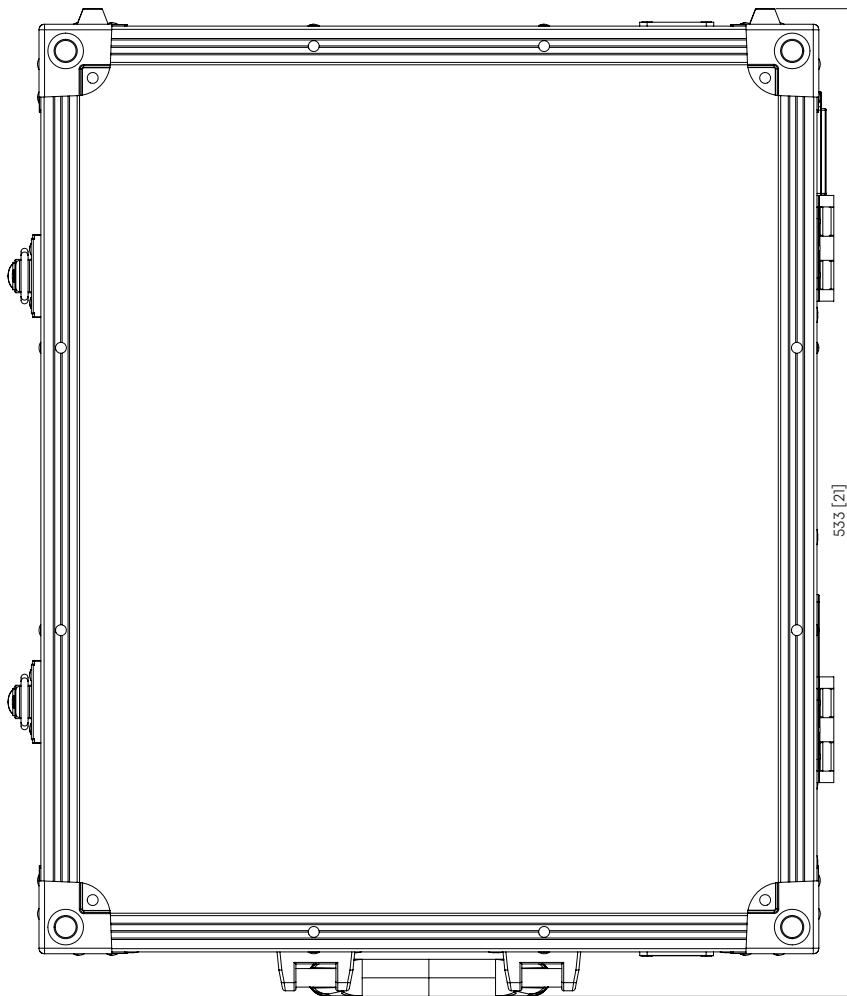
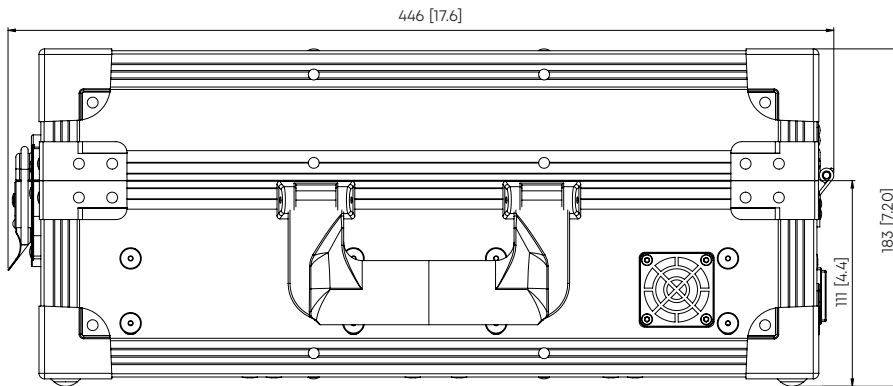
Unite CC-24P	Case for charging, transport and storage, with max. 24 charging compartments for bodypack receivers / transmitters, network connection, integrated power supply	Order # 713.074
Unite CC-36P	same as above, but with max. 36 charging compartments for bodypack receivers / transmitters.....	Order # 728.306

OPTIONAL ACCESSORIES

Unite CC Bag	Storage bag for optional accessories (e.g. headphones).....	Order # 713.066
--------------	---	-----------------

Unite CC

DIMENSIONS



All dimensions in mm and [inch].

3 of 3

beyerdynamic GmbH & Co. KG
Theresienstr. 8 · 74072 Heilbronn – Germany
Tel. +49 (0) 71 31 / 617 - 300 · info@beyerdynamic.de · www.beyerdynamic.com

For further distributors worldwide, please go to www.beyerdynamic.com
Non-contractual illustrations. Contents subject to change without notice. E3 / Unite CC (06.19)

beyerdynamic