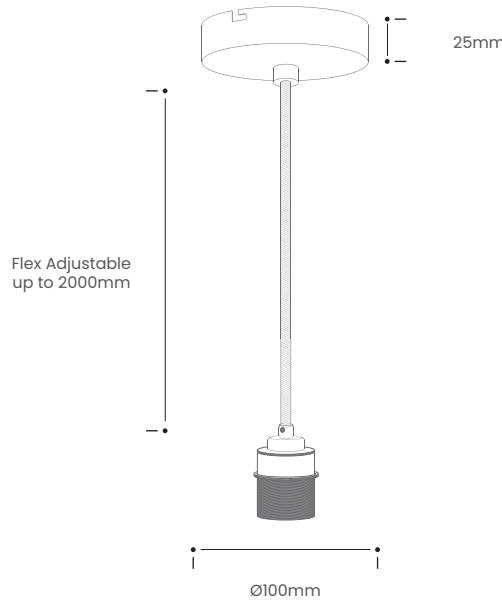


SATIN NICKEL CEILING KIT - 2M

Product Specification

Tom Raffield




Satin Nickel Ceiling Kit



Tie your interior scheme together with the help of our Satin Nickel Ceiling Kit. Featuring a brushed steel ceiling rose, bulb holder and 2 meters of adjustable clear flex, each kit is minimally designed and understated.

Supplied as a standard option with most of our wooden ceiling lights, our Satin Nickel Ceiling Kit is also available to purchase as a standalone product to ensure that you're able to curate a look that fits with other lighting styles in your space.

Complete the look, style your way.

Product Type : Ceiling Kit	SKU	Wood types	Dimensions L x W x H (mm)		Weight (kg)	
			Unboxed	Boxed	Unboxed	Boxed
Satin Nickel Ceiling Kit	PT-CLR-PS-SN-RRP		25 x 100 x 2000	100 x 100 x 100	0.3	0.4
Materials	Brushed steel ceiling rose and bulb holder 				Other materials	
Finish	Brushed steel finish					
Wiring information	Brushed steel ceiling rose and bulb holder 	Ceiling kit	Flex	Reccomended light bulb		
		Ceiling rose: Ø100mm	Flex colour: clear plastic 	Max 25W LED		
		E27 (240v)	Flex length: 2m (Adjustable)			
Care information	Dusting your light regularly and with a light feather duster should keep your light looking clean, otherwise wipe with a damp cloth and remove any moisture with a dry cloth. Gentle furniture polishes can also be used.					
Additional information	<ul style="list-style-type: none"> This ceiling kit can be used with your existing E27 lamp shade. Suitable for use on 240v and 110v circuits. Installation instructions included. 					

Tom Raffield Ltd, F3 Church View Business Park, Bickland Water Rd, Falmouth TR11 4FZ, UK
 tomraffield.com contact@tomraffield.com +44 (0) 1326 722725 #tomraffield @tomraffield

Due to the character of handcrafted natural products, all dimensions are approximate. Wood colour may slightly vary.
 All products, prices and leadtimes are correct at time of print and are subject to change without notice.