

Technical Manual

GOZNEY®

domme



**Wood-fired cooking made easy.**

# Introduction



## **DANGER**

---

### **If you smell gas:**

Shut gas off to the appliance.

—

Extinguish any open flame.

—

If odour continues, keep away from the appliance and immediately call your fire department.



## **WARNING**

---

Do not store or use gasoline or other flammable liquids or vapors in the vicinity of this or any other appliance.

—

An LP cylinder not connected for use shall not be stored in the vicinity of this or any other appliance.

This instruction manual contains important information necessary for the proper assembly and safe use of the appliance.

Read and follow all warnings and instructions before assembling and using the appliance. Follow all warnings and instructions when using the appliance. Keep this manual for future reference.

Never operate this appliance in enclosed areas. Failure to follow these instructions could result in fire or explosion which could cause property damage, personal injury or death.

---

Never operate this appliance unattended.

---

Never operate this appliance within 1.5m of any structure, combustible material or other gas cylinder.

---

Never operate this appliance within 7.5m of any flammable liquid.

Do not fill the cooking vessel beyond the limitation of the door dimensions.

---

Heated liquids remain at scalding temperatures long after cooking process.

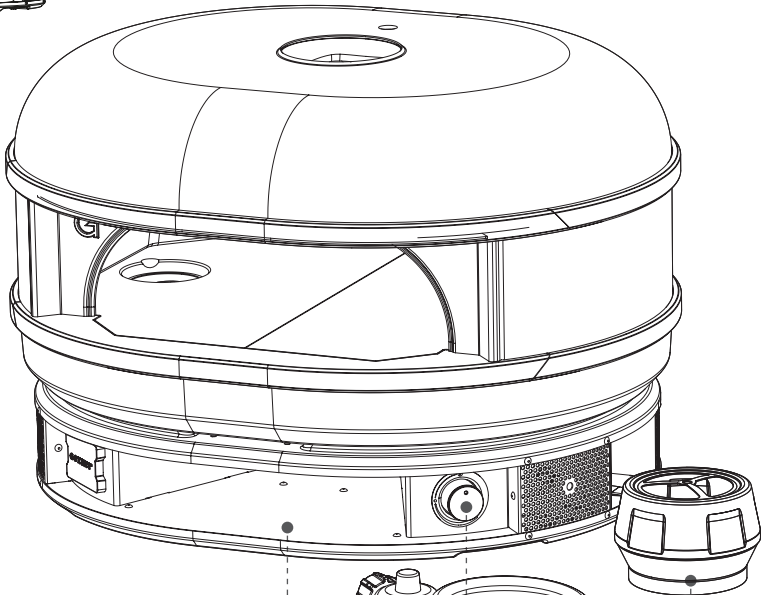
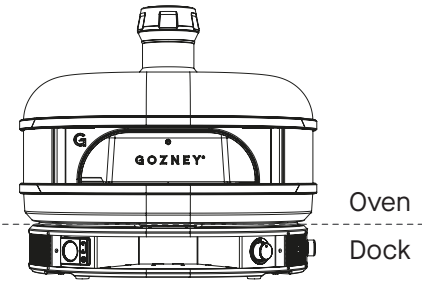
---

Never touch cooking appliance until liquids have cooled to 45°C or less.

---

If a fire should occur, keep away from the appliance and immediately call your fire department. Do not attempt to extinguish an oil or a grease fire with water.

# Product Overview - What's in the Box



Storage

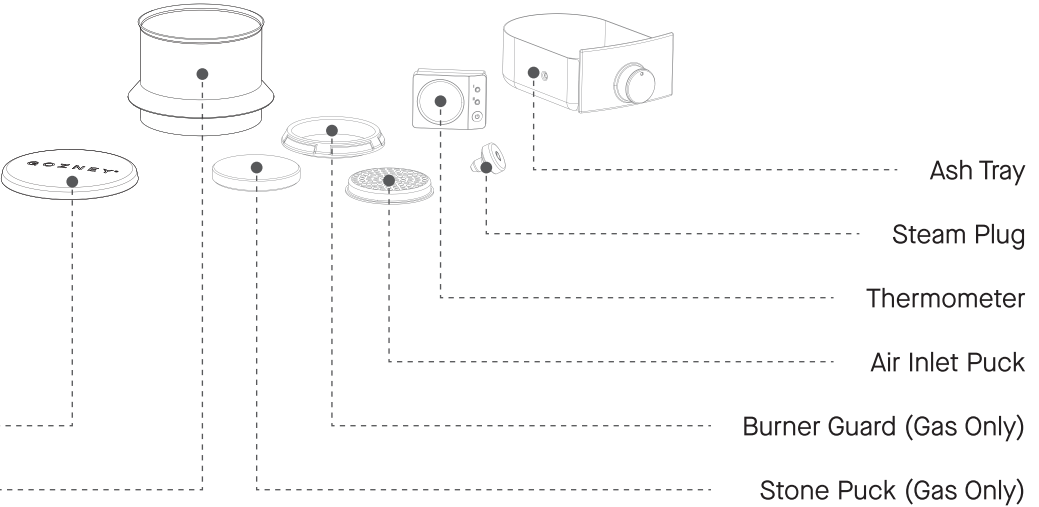
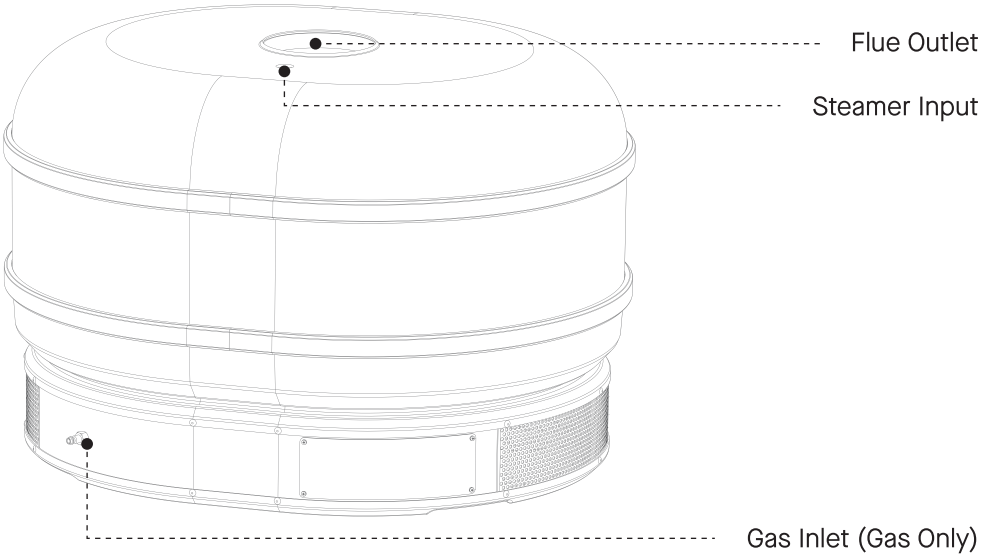
Gas Hose & Regulator (Gas Only)

Gas Control Dial (Gas Only)

Flue Top

Flue Cap

Flue Pipe



# Data Plate

Gozney Limited, Units 18 & 19, Radar Way, Christchurch, Dorset, BH23 4FL UK.	
Appliance Name:	Gozney Dome
Model/Type No.:	4555-V1-01
Trade name:	Gozney Dome
Total nominal heat output for the gas burner:	7.3 kW (452 g/h) for I <sub>3B/P (30,50)</sub> I <sub>3P(30,50)</sub> 7.3 kW (465 g/h) for I <sub>3+(28-30/37)</sub> I <sub>3B/P(37)</sub> I <sub>3P(37)</sub> 7.3 kW (432 g/h) for I <sub>2H I2E+</sub> I <sub>2E I2EK</sub>

For use outdoors only.



Read the instructions before using the appliance.

**WARNING:** accessible parts may be very hot. Keep young children away.

**WARNING!** Do not use spirit or petrol for lighting or re-lighting! (for wood burner)

Pin Code: 0359CT3383



Injector Size	1.3mm		1.4mm	1.2mm	2.25mm
Gas Category	I <sub>3B/P(37)</sub> I <sub>3P(37)</sub> I <sub>3+(28-30/37)</sub>		I <sub>3P(30)</sub> I <sub>3B/P(30)</sub>	I <sub>3P(50)</sub> I <sub>3B/P(50)</sub>	I <sub>2H I2+</sub> I <sub>2E I2EK</sub>
Gas Type	Butane	Propane	Butane, Propane or their mixtures	Butane, Propane or their mixtures	Natural Gas
Gas Pressure	28-30 mbar	37 mbar	28-30 mbar	50 mbar	20 mbar
Destination Countries	BE, CH, CY, CZ, ES, FR, GB, GR, HR, IE, IT, LV, LU, PL, PT, SK, SI		AL, BE, BG, CY, HR, DK, EE, FI, FR, HU, IS, IT, LT, LU, MT, MK, NL, NO, RO, SK, SI, SE, TR	AT, CH, DE, LU, NL, SK	AT, AL, BE, BG, CY, CZ, DE, DK, EE, ES, FI, FR, GB, GR, HR, HU, IS, IE, IT, LV, LT, LU, MT, MK, NL, NO, PL, PT, RO, SK, SI, SE, CH, TR

This section details the correct operation and install of a Gozney Dome.



# **Cautions & Warnings**

## SAFETY CONSIDERATIONS

---

This appliance must be installed on a secure level base prior to use.

**WARNING:** This appliance will become very hot, do not move it during operation.

**WARNING:** Keep away from children and pets.

The Dome unit and the burner must always be well ventilated.

Do not use plastic or glass utensils inside the Dome.

Do not move or leave the Dome unattended whilst in use.

Do not operate Dome in strong winds. Wind can extinguish flame.

Do not spill or pour water onto the cooking floor. This is dangerous and can crack the stone.

Do not wear flammable loose garments or sleeves.

Do not cover oven mouth when there is an active flame, this will cause damage to the oven.

This oven is not intended to be installed in or on recreational vehicles.

Product may contain sharp edges! Please use caution.

**WARNING:** Contact your local municipality for any building codes applicable to the use, installation and operation of outdoor barbecue appliances.

Outdoor installations must conform to local codes or, in the absence of local codes, with the following standards:

National Fuel Gas Code - ANSI Z223.1/  
NFPA 54, or the Natural Gas and Propane Installation Code - CSA B149.1, or the Propane Storage and Handling Code - CSA B149.2

Spanner tighten all gas fittings as per instructions. Do not modify the appliance. Parts sealed by the manufacturer or the company shall not be manipulated.

## CARBON MONOXIDE

---

Carbon Monoxide is a highly poisonous gas which can be produced when the device isn't receiving enough ventilation.

We therefore recommend using the gas and wood burners in a well ventilated area away from direct wind and to never cover the oven mouth when there is an open flame present.

It is difficult to know if your device is producing Carbon Monoxide as it is an odourless and colourless gas.

It can, however cause these symptoms when you are exposed to it:

- Tightness across the forehead
- Headache
- Weakness
- Dizziness
- Nausea
- Vomiting
- Coma, intermittent convulsions
- Depressed heart action, slowed respiration

If the exposure has been severe it may cause death.

Please follow local regulations and install a CO alarm if necessary.

## FIRE

---

Most fires are caused by a build up of grease, or (if using gas) an improper gas connection. In the event of a fire ensure all people and pets are kept as far away as possible.

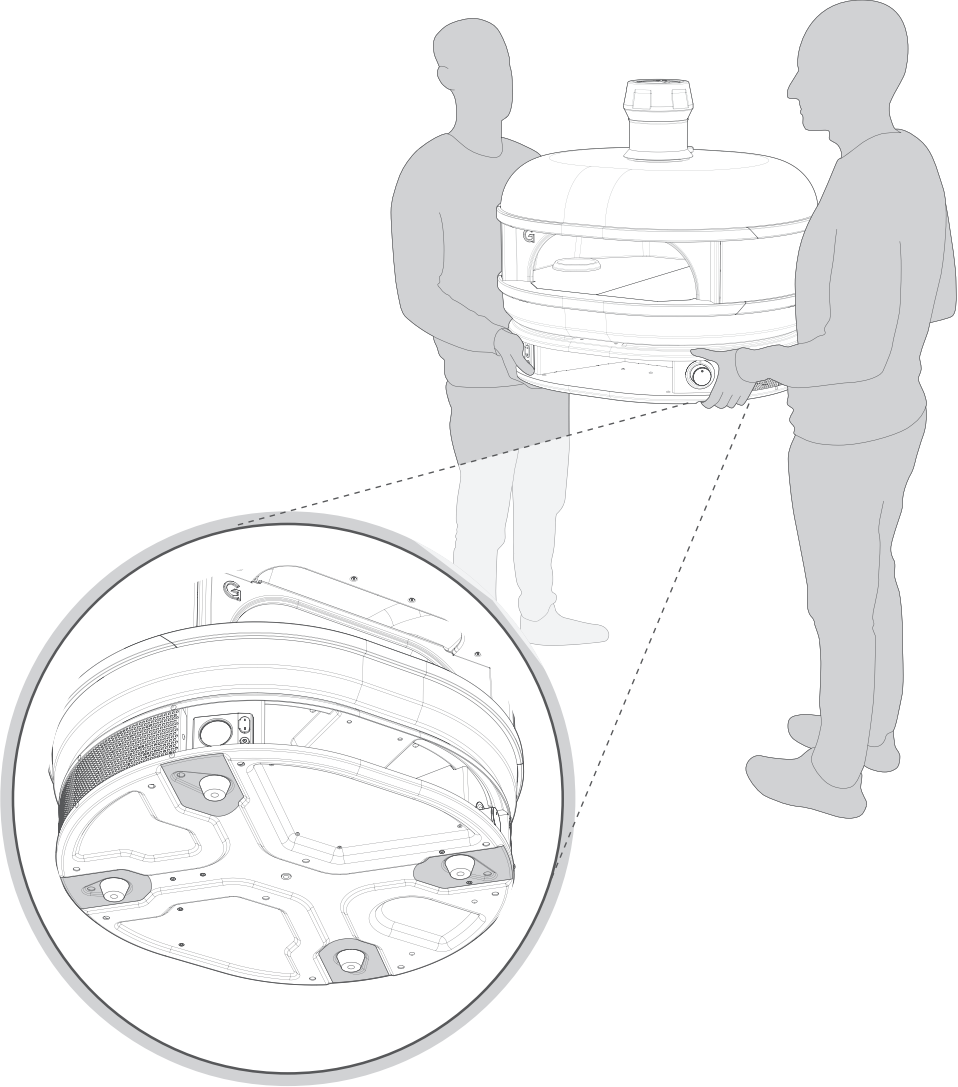
Use a fire extinguisher if possible, but if water is the only fire retardant available, thoroughly soak the area around the appliance. When spraying water on the Dome itself, do not use a strong jet of water, as this may cause splashing of burning grease, resulting in a further spreading of the fire.

This section details the set up of the oven and the accessories included with your Dome.

# 2

# Set Up & Accessories

# Moving the Oven



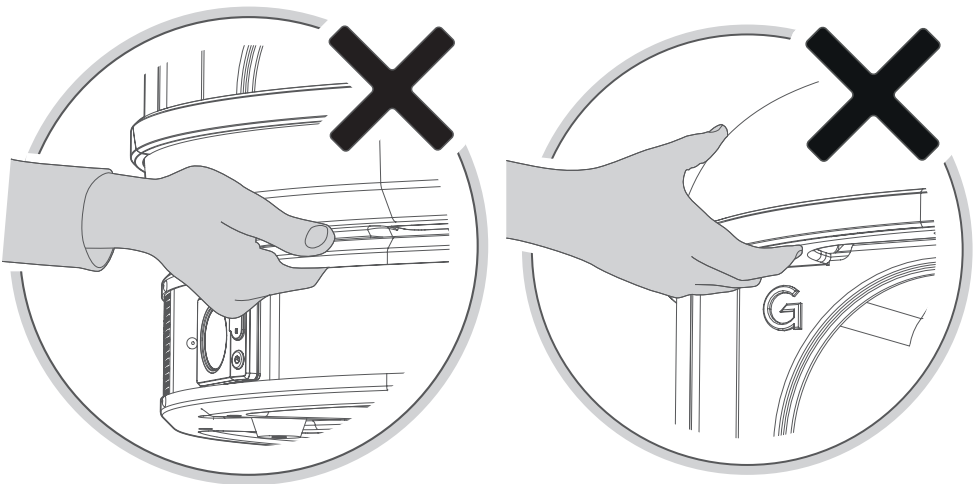


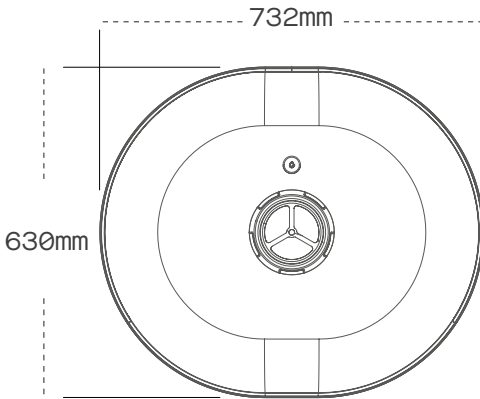
Never attempt to move the oven on your own. Two people should pick up the oven lifting from under the rounded ends of the oven, do not use the mouth of the oven as a lifting point.

Remove anything loose on the oven before moving.

Always plan the route you are going to take, remove any obstacles on your path and ensure the oven will fit through the intended route.

Ensure the area you are moving the oven to fits with the guidelines on the following page.

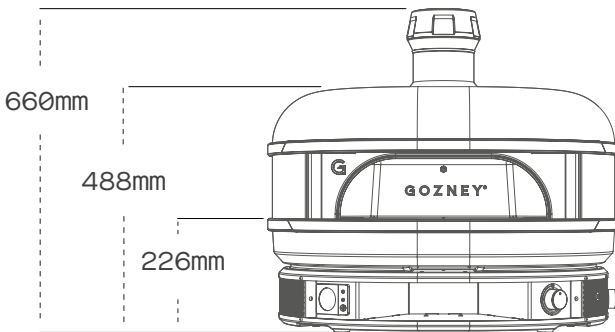




## OVEN PLACEMENT

---

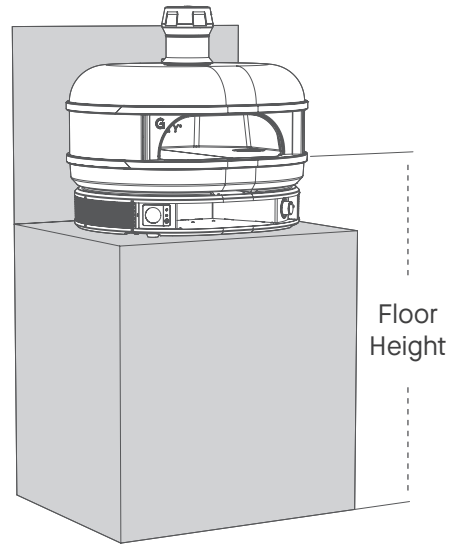
When deciding where to place the Dome ensure the area is large enough to accommodate the oven with 2" (50mm) around the base of the dock for air intake and at least 350mm clearance above the oven. It is important nothing is blocking the meshed panels as this will affect the performance of the Dome.



Wind should be taken into consideration when choosing a location. Ideally the wind should be coming from behind the oven. If the wind is hitting the front of the oven the flame can be blown out. Never operate the oven in high winds.

We recommend the height of the floor to be around the level of the bottom of the users elbow (usually around 120cm from the ground)

Ensure the surface the oven is being placed on is completely level, stable and capable of easily holding the weight of the oven - 60kg.

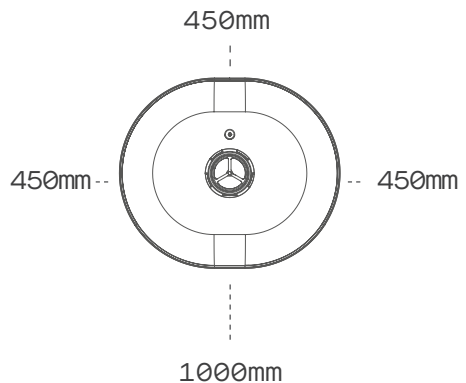


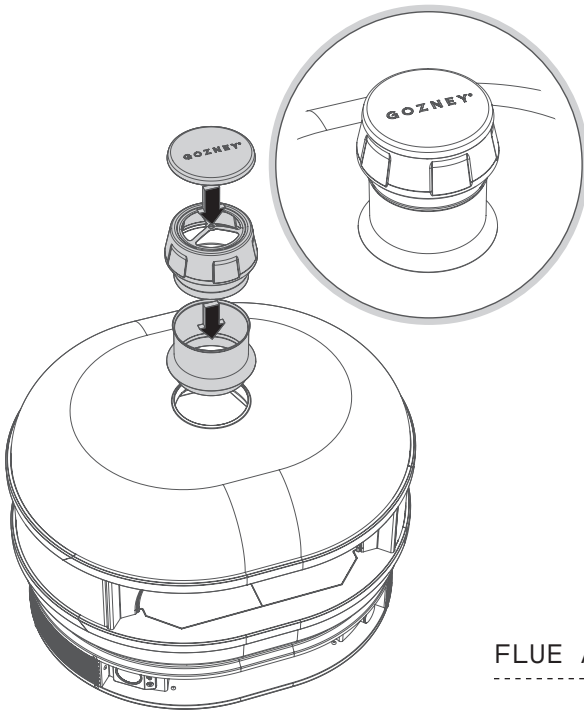
## WARNING

When placing your oven it is important to maintain proper clearances from combustible construction. Ensure the Dome has 450mm clearance (back and sides) and 1000mm clearance (front) from any combustible construction.

Under no circumstances is the oven to be placed under or on top of any combustible structure.

Always keep the area around the oven clear of any combustible materials, gasoline and other flammable vapours and liquids.

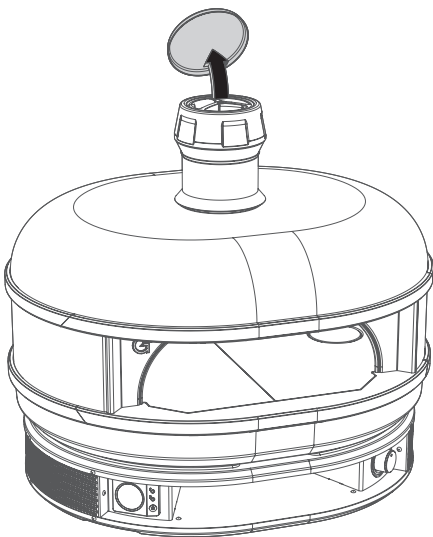


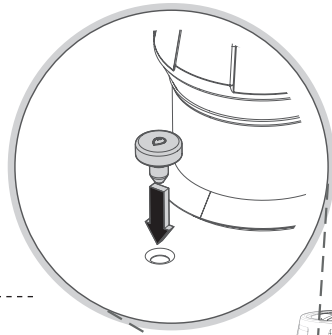


## FLUE ASSEMBLY

---

The rain cap prevents moisture from getting into the oven and should only be used when the oven is cooled and not in use.

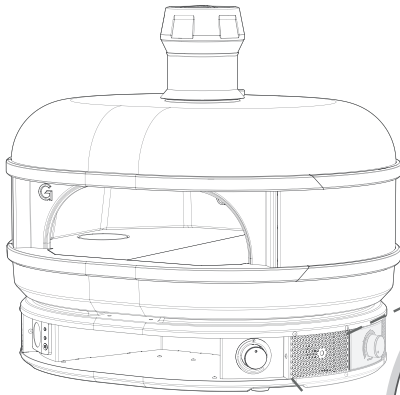
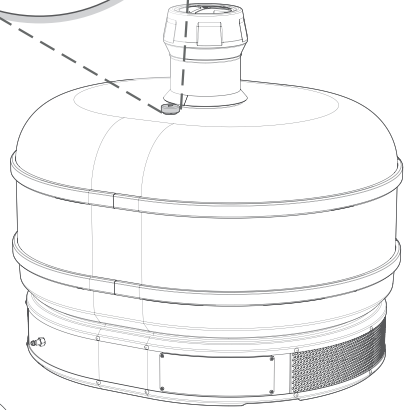




## STEAM PLUG

---

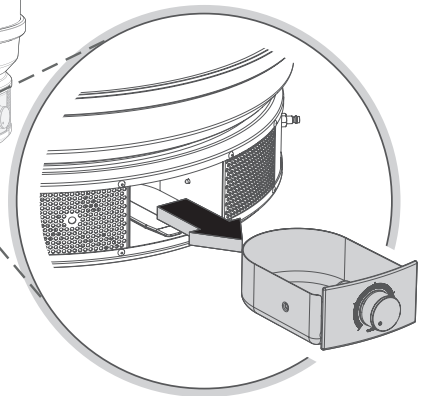
The steam plug should always be inserted into the Dome unless you are using the oven in conjunction with the steamer accessory.



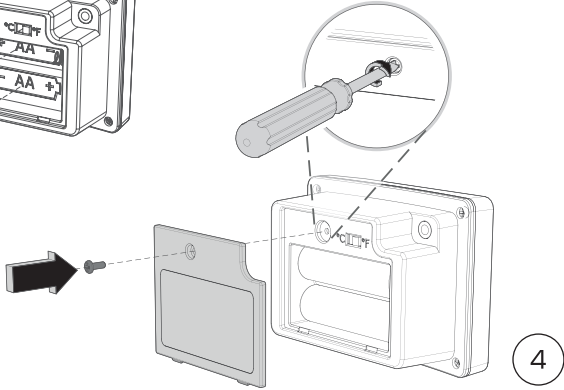
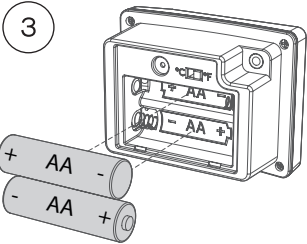
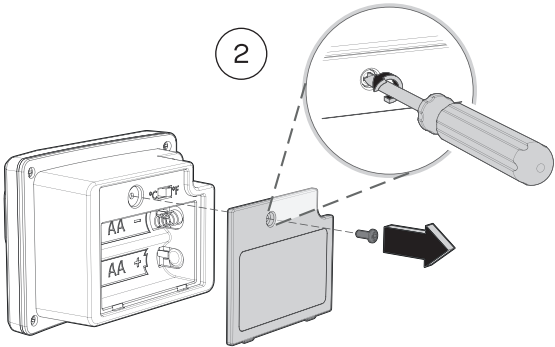
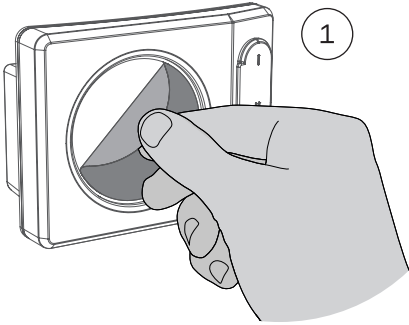
## ASH TRAY

---

Before firing the oven, make sure you have removed the ash tray and disposed of any packaging. The ash tray should always be inserted into its slot when the oven is in use. See the “Firing up wood” chapter for further details.



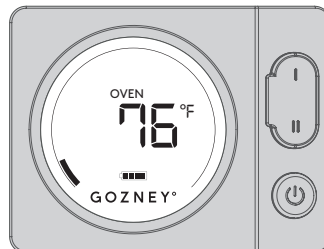
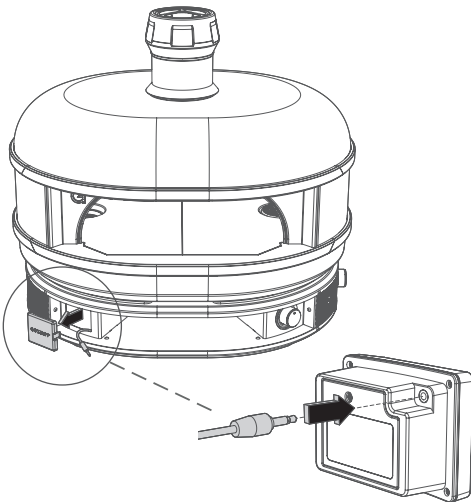
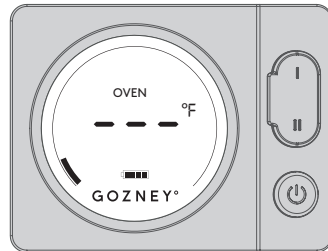
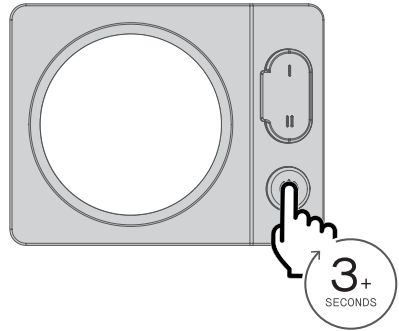
# Digital Temperature Display

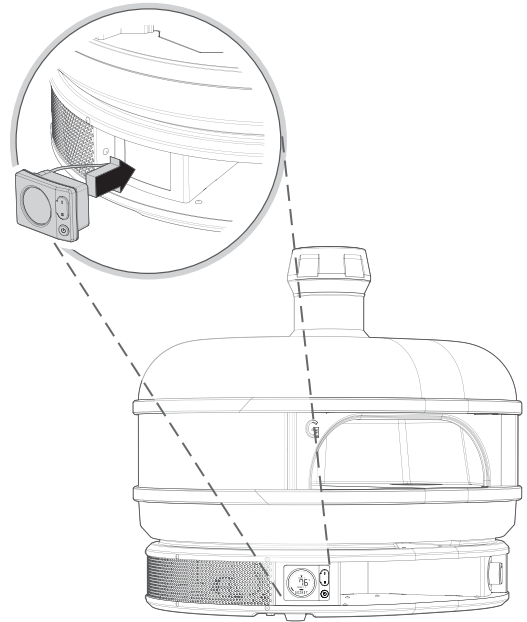
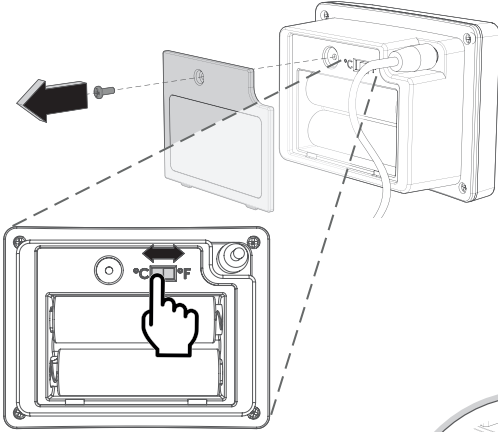
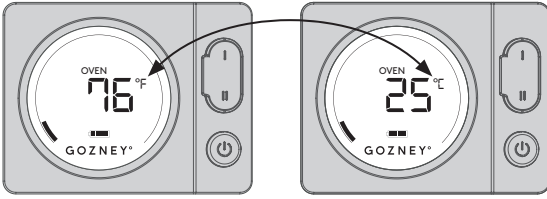


## SET UP

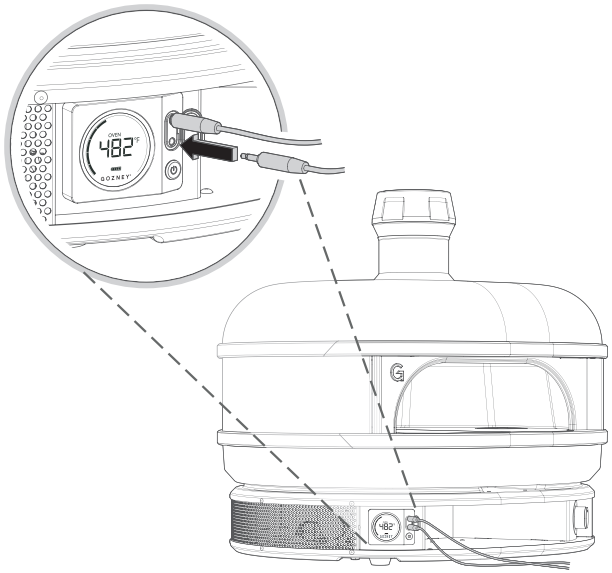
---

After installing the batteries hold the power button down until the display turns on. Find the sensors jack by removing the plastic cap and plug it into the rear of the display, the screen will then show the temperature from within the oven.





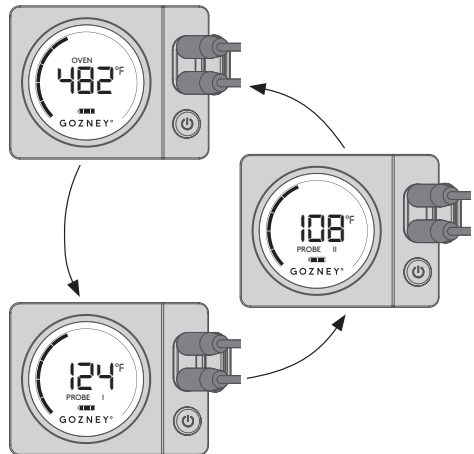




## USING THE PROBES

---

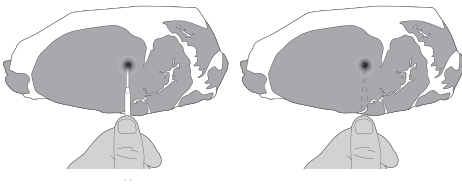
When the temperature probes are connected to the screen, the display will automatically begin to cycle through the temperatures of the oven and the two probes.



# Probes Guidelines



When using a meat probe the aim is to get the sensor to the coldest part of the meat to ensure the meat is cooked through.



The coldest section of the meat will be in the centre of the thickest part. Placing the probe on top of the meat and using your thumb as a depth guide is the best way to ensure the probe is positioned correctly.

For accurate readings the probe must be distanced from any bone, fat or gristle.

## PROBES CARE & USAGE

---

Before the first use and after subsequent uses, clean the probes with hot soapy water and dry thoroughly. Avoid immersing the probes in water whilst cleaning.

To prolong the life of the probes always store them indoors in between uses and ensure the silicone plugs are firmly pressed into the jack openings on the thermometer.

Keep the probes and their leads away from the flames. Direct contact with fire will damage the device.

## FDA Safe Minimum Internal Temperatures

(as measured with a food thermometer)

FOOD	TYPE	INTERNAL TEMP.
Ground Meat	Beef, Pork, Veal, Lamb	72°C
	Turkey, Chicken	74°C
Fresh Meat	Beef*, Veal*, Lamb*, Pork*	63°C
	Poultry	74°C
	Fish with fins	63°C

\* Minimum rest time of 3 minutes

Your guide to burning gas.

**3**

# Firing Up Gas

## Connecting to Gas

Check that the gas you are using is specified on the data plate page.

The gas cylinder used must have a safety collar to protect the valve assembly. Do not use a cylinder that is rusty, dented or has a damaged valve.

We recommend using a 13kg gas bottle in conjunction with Dome.

Connect the regulator to the gas canister, following the instructions for your regulator accordingly. Do not force the regulator as this could damage the gas bottle.

19 kg



Capacity



5 kg



**WARNING:** If at any point you smell gas: Shut off the gas from the cylinder, turn off the switch on the Dome and extinguish any open flames.

If odour continues, move away from the Dome and gas supply then contact your gas supplier or fire service.

Ensure that the LP cylinder or regulator valve is closed.

Do not store a spare LP cylinder under or near this appliance.

## Gas Safety

Prior to use, check the oven, burner and venturi for blockages (e.g. food residue or insect nests - Wasps, Bees or Ants.) If an insect nest is found they can be dangerous and must be cleaned out thoroughly. Please refer to the cleaning and maintenance section for guidance.

Should the appliance extinguish for any reason, turn off the control knob and the cylinder gas valve. Wait 5 minutes before attempting to relight the appliance.

Some foods produce flammable fats and juices. Therefore the Dome oven should be attended at all times whilst being used. Damage caused by fat and grease fires is not covered by warranty. If a grease or fat fire should occur, immediately turn off burner knob and the gas cylinder valve until the fire is out. Remove all food from the appliance.

A leak test must be carried out prior to using the appliance for the first time and whenever the gas cylinder is refilled or whenever the gas hose and regulator have been disconnected from the gas cylinder or appliance.

Remove all packaging before attempting to light the gas burner.

Please take a moment to review all of the safety requirements before operating the appliance when using gas.



Do not disconnect any gas fittings while the appliance is operating.



Check all Gas hose lines and connections for cuts, cracks and other damage before each use. If there is excessive abrasion or wear it just be replaced with a Gozney approved hose assembly before use.



Gas cylinders must not be stored in enclosed areas.



Keep the fuel supply hose away from heated surfaces or direct sunlight.



Do not use any additional flammable substance whilst operating with gas.





Do not touch! The Dome can get extremely hot when in operation. Be sure to wear protective gloves when operating the oven.



Keep the cylinder outdoors in its upright position.



Do not connect multiple gas canisters to Dome or store a spare within the same vicinity.



A regulator which complies with EN16129 must fit between the gas canister and the oven.



Do not position the gas canister under the oven.



Never use a naked flame to check for gas leaks.



Maximum length of hose cannot exceed 1.5m. In Finland, hose length cannot exceed 1.2m.



National requirements state how often to replace the hose. Please review this for your area.



Never fill the cylinder beyond 80 percent full.



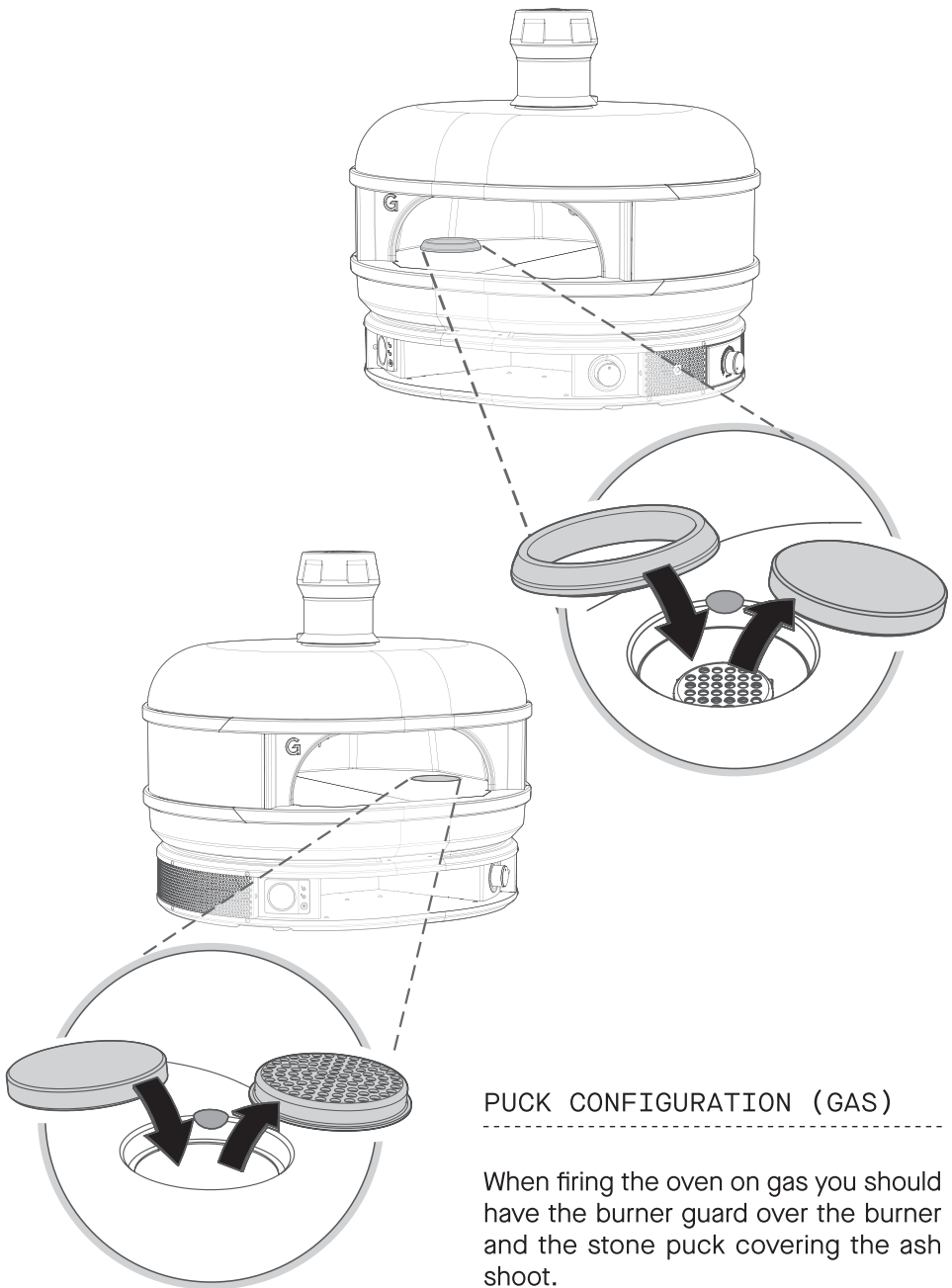
Make sure the flexible tube is not twisting when the appliance is in operation.



During any pressure testing of the gas system at test pressures in excess of 0.5 PSI (3.5 KPA), the shut-off valve must be disconnected from the gas supply piping system.



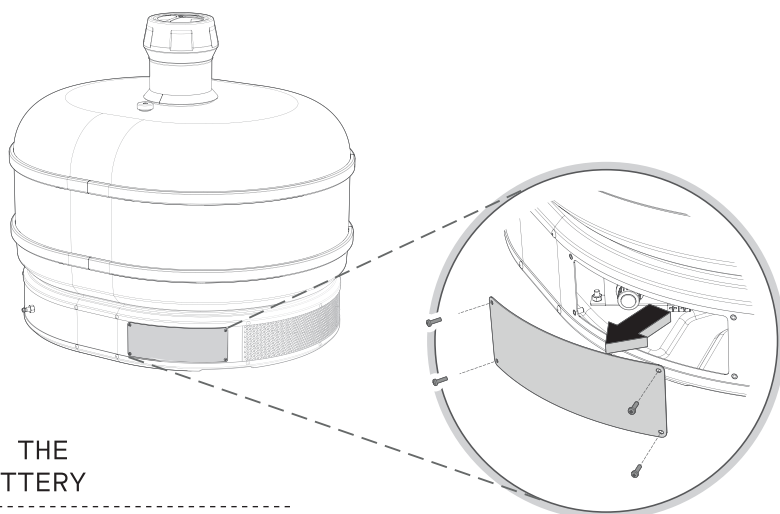
During any pressure testing of the gas supply piping system at test pressures equal to or less than 1/2 PSI (3.5 KPA), the oven must be isolated from the gas supply piping system by closing its individual manual shut-off valve.



### PUCK CONFIGURATION (GAS)

---

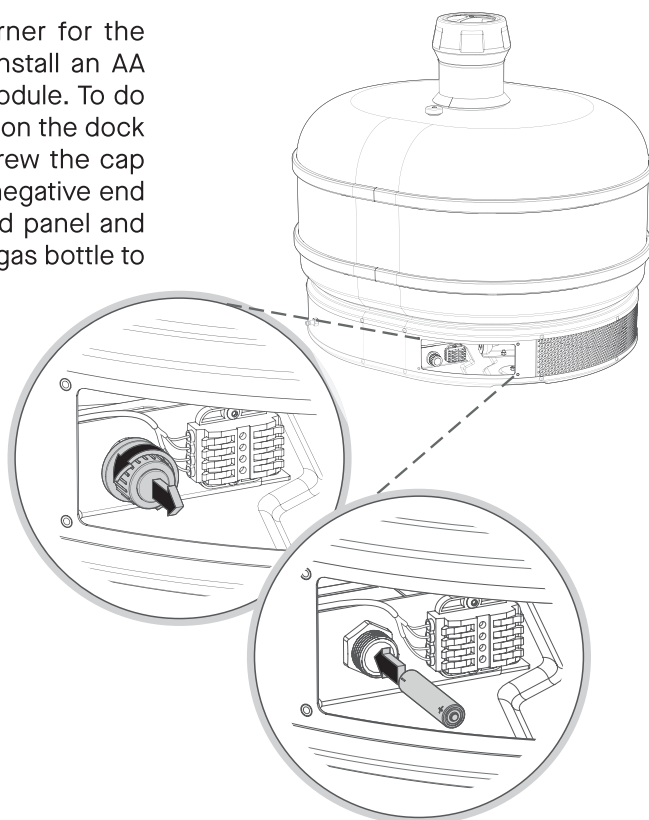
When firing the oven on gas you should have the burner guard over the burner and the stone puck covering the ash shoot.

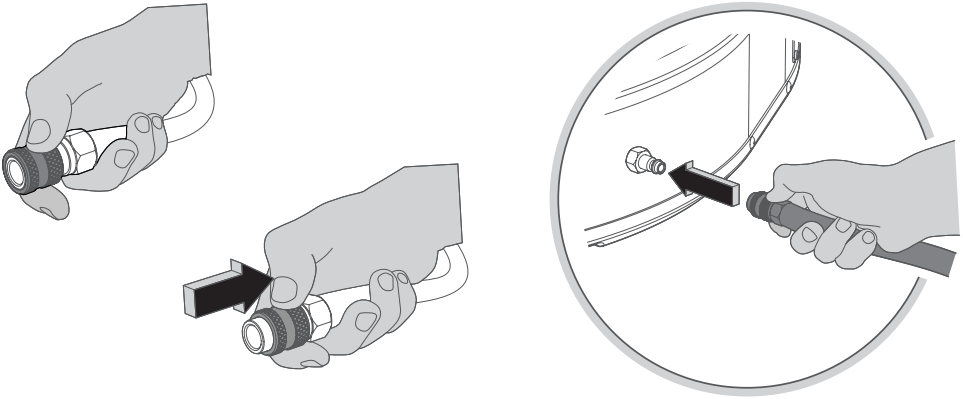


## INSTALLING THE IGNITER BATTERY

---

Before using the gas burner for the first time you'll need to install an AA battery into the ignition module. To do this remove the rear panel on the dock to find the module. Unscrew the cap and place the battery in (negative end first). Replace the cap and panel and your ready to connect the gas bottle to the oven.

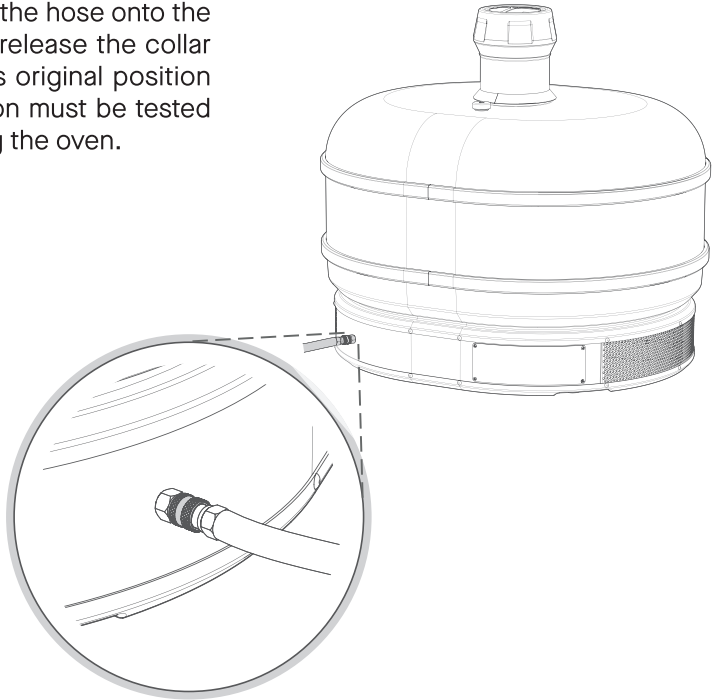


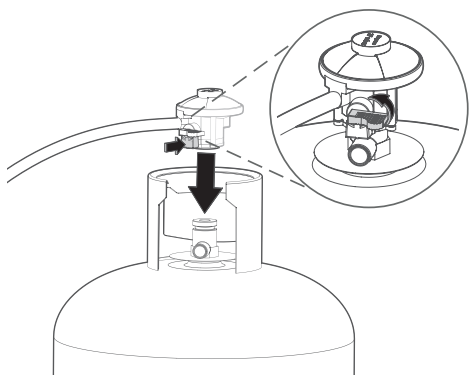


### CONNECTING THE GAS HOSE

---

To attach the quick connection gas hose to your Dome pull the collar back on the connector and place the hose onto the gas inlet. When you release the collar it should return to its original position freely. This connection must be tested for leaks before using the oven.

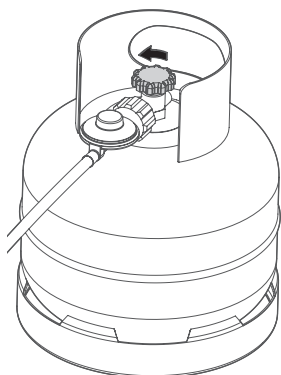
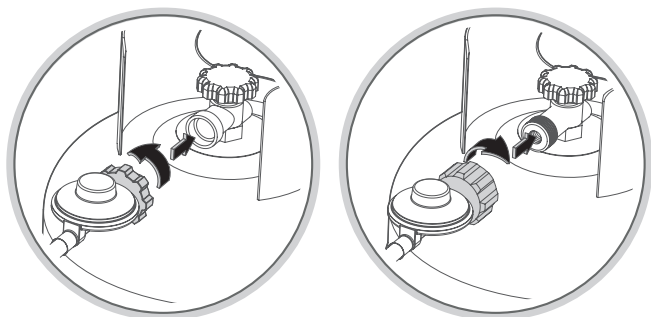




### PUSH FIT REGULATOR

---

Make sure the lever is in the horizontal position so the button can be pressed. Pressing in the button, place the regulator onto the gas bottle. After releasing the button, turn the lever to a vertical position. This connection must be tested for leaks before using the oven.

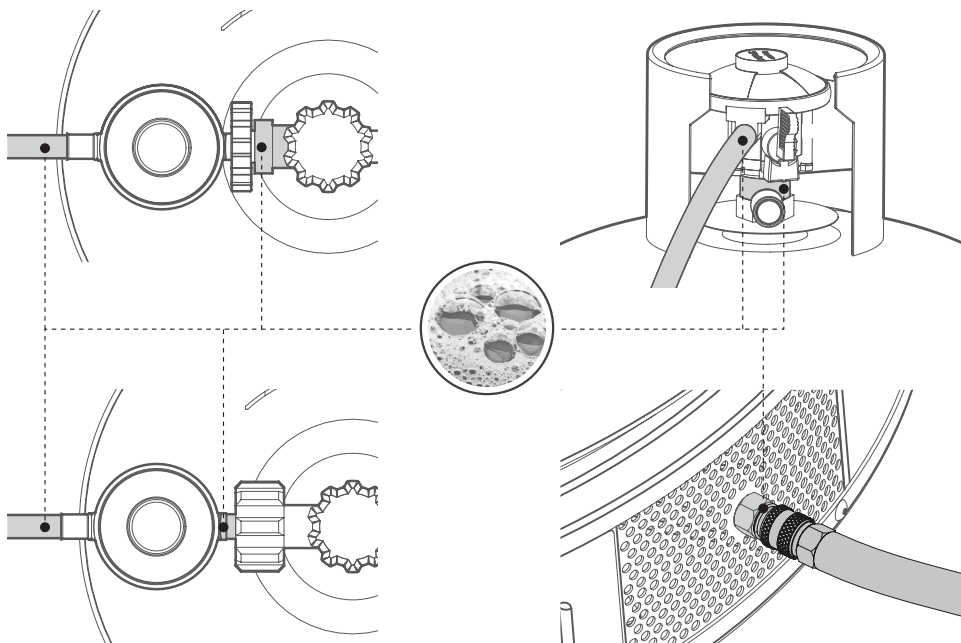


### CLOCKWISE / ANTICLOCKWISE REGULATOR

---

Ensure the gas bottle is turned off. Align the regulator and the gas bottle threads and carefully begin to tighten ensuring the threads aren't crossed. Continue to tighten until a tight fit has been made. This connection must be tested for leaks before using the oven.

## Testing For Leaks



### WARNING

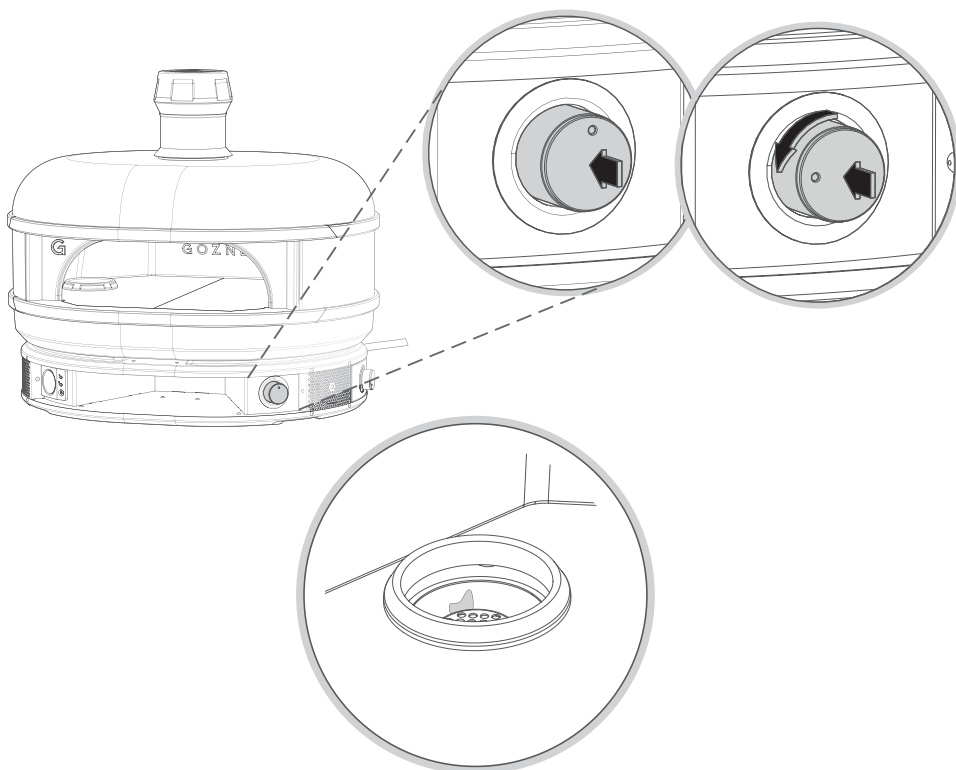
You should always check for gas leaks everytime you disconnect and reconnect a gas fitting. Never ignite burners when leak checking.

To test for gas leaks, apply a mixture of soapy water with a brush to the highlighted areas and any cracks along the hose. If a leak is present the solution will bubble.

If there is a leak at the hose to oven connection, re-tighten the fitting with a spanner and check for leaks by applying a soap-and-water solution to the highlighted areas with a brush. If a leak persists turn off the gas and **DO NOT OPERATE THE OVEN.**

If there is a leak at the Valve connection, remove LP cylinder. Do not operate oven. Use a different LP cylinder and recheck for leaks with the soap-and-water solution.

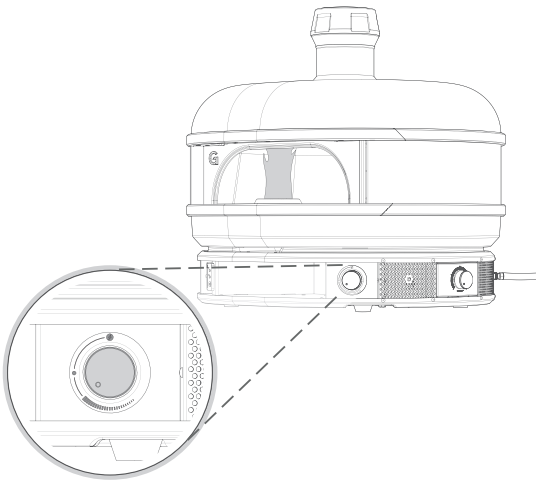
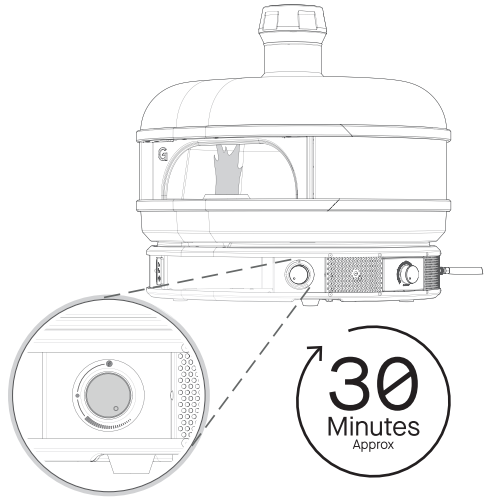
## Pilot Light Ignition



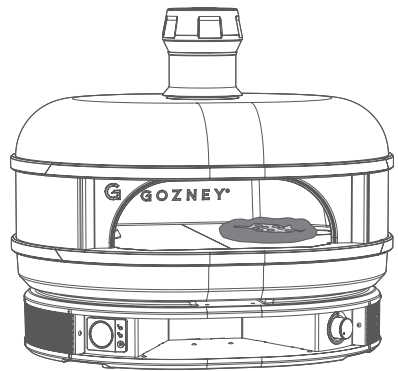
To ignite the pilot light press the control knob in until you hear a constant clicking sound. Then, still pressing, turn the knob 90° and hold it there until the pilot light is lit. You may not be able to see the naked flame but there should be clear reflections of it on the internal sides of the oven.

# First Firing

Only when you have a pilot light, turn the control dial anti-clockwise and the burner should light. On your first firing we highly recommend to put the burner on a medium to low flame for 30 minutes to help cure the oven before moving to a high flame.



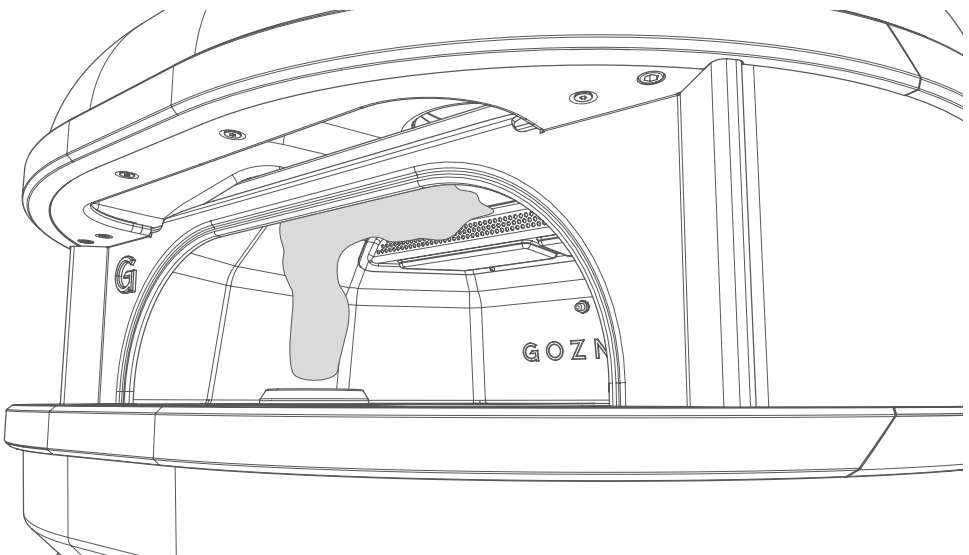
On subsequent firings after curing, you can bring the oven up to the desired temperature from ignition. If the oven has been dormant for an extended period, you should cure the oven again as if it was a first firing.



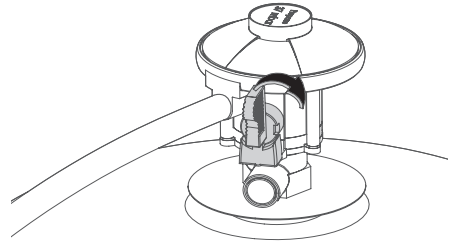


## Gas Flame

The flame should be yellow in colour and  
role along the top of the oven.



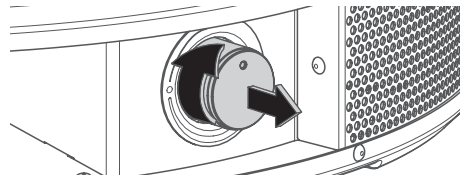
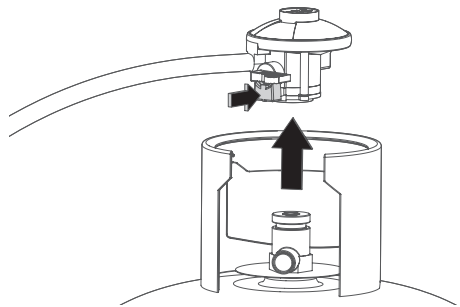
# Disconnecting Gas

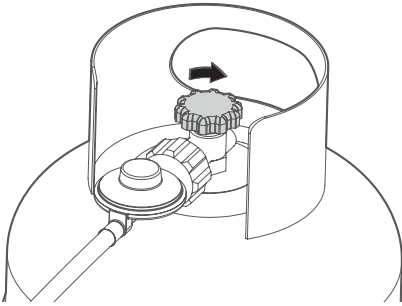


## PUSH FIT REGULATOR

---

After cooking, be sure to turn off the gas from the gas canister first before turning of the Dome. This will allow any gas left in the burner or pipe to be used up safely. Three minutes after turning the gas off it will be safe to remove the regulator and turn the control dial back to the off position.

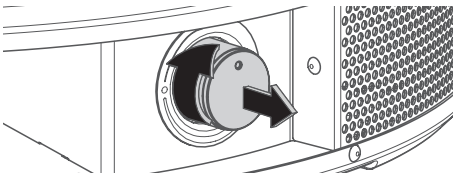
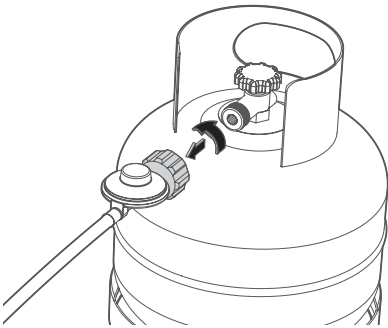




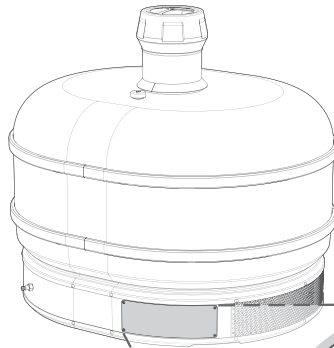
### CLOCKWISE / ANTICLOCKWISE REGULATOR

---

After cooking, be sure to turn off the gas from the gas canister first before turning of the Dome. This will allow any gas left in the burner or pipe to be used up safely. Three minutes after turning the gas off it will be safe to remove the regulator and turn the control dial back to the off position.



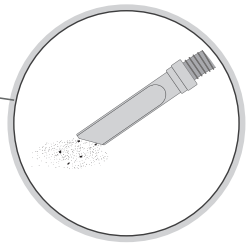
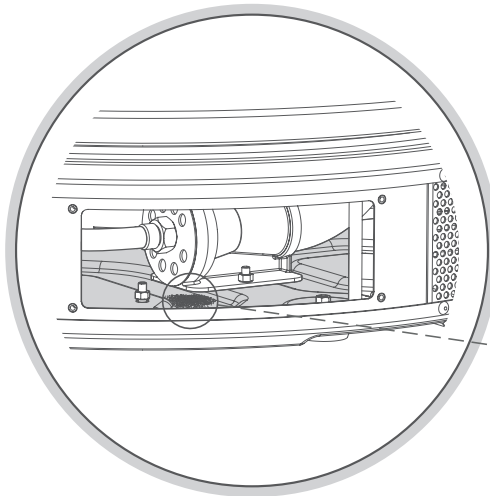
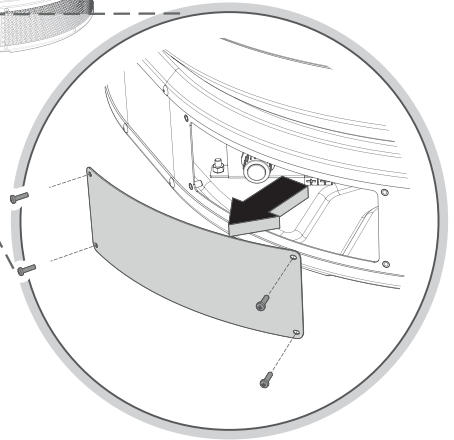
# Maintenance



## CLEANING THE VENTURI

---

If your burner's flame is overly yellow or making more noise than usual you may have debris blocking the venturi. When the oven is turned off and cool, remove the maintenance hatch and use a vacuum cleaner with a long nose to remove any debris. It's good practice to check the inside of the dock for debris regularly.





This section details safety considerations and how to get the most from your oven when firing on wood.

# 4

# Firing Up Wood

# First Firing

## INTRODUCTION

---

When firing the oven for the first time, it is important to slowly bring the oven up to temperature. This will help prevent thermal shock to the refractory.

## WOOD SAFETY

---

Do not use spirit or petrol for lighting or re-lighting! Use only fire-lighters complying to EN1860-3 or subsequent!

Do not use treated or painted wood.

Do not use soft woods (pine and sappy woods) or freshly cut wood.



**WARNING:** Before lighting the oven, ensure you have adhered to the extraction specified in this manual. If you are unsure, do not use the oven.



Never use flammable liquids including, but not limited to, barbecue lighting fluid, petrol or lighter fluids to start or boost a fire in this oven. Keep all such liquids well away from the oven while it is in use. Never use unapproved fuel in your oven.



Do not throw wood against the back or side walls of the oven, this may void the warranty.



**WARNING:** Do not over fire the oven. If flames exit the mouth of the oven and up the flue you have over fired the oven, if you do so it may affect your oven warranty.



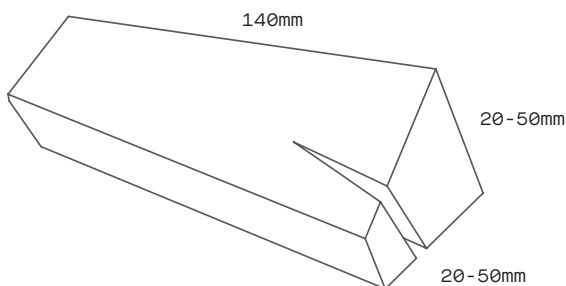
**WARNING:** Do not pour or spray liquids onto the oven floor or into the oven interior as this can damage the oven and could void warranty.



**CAUTION:** Dispose of ashes in a safe manner, beware of hot embers even after the oven has cooled.



## Wood To Use



Wood is the most important factor when firing the oven on wood. It will determine the level of performance you will get from the oven.

### SIZE

---

Smaller is better, we recommend using small pieces of kindling at 140mm by 20 - 50mm by 20 - 50mm.

### MOISTURE CONTENT

---

16% is the optimum moisture level for your wood, but anywhere between 10-20% is good.

### TYPES OF WOOD

---

Kiln dried hard woods are best as they are dense and have a lot of energy to burn and will produce more heat than soft woods. Avoid using sappy woods and soft woods like pine as they tend to produce creosote which can build up in your burner and oven.

### WOODS TO USE

---

- Ash
- Alder
- Oak
- Beech
- Hickory
- Fruit trees, Apple, Pear etc

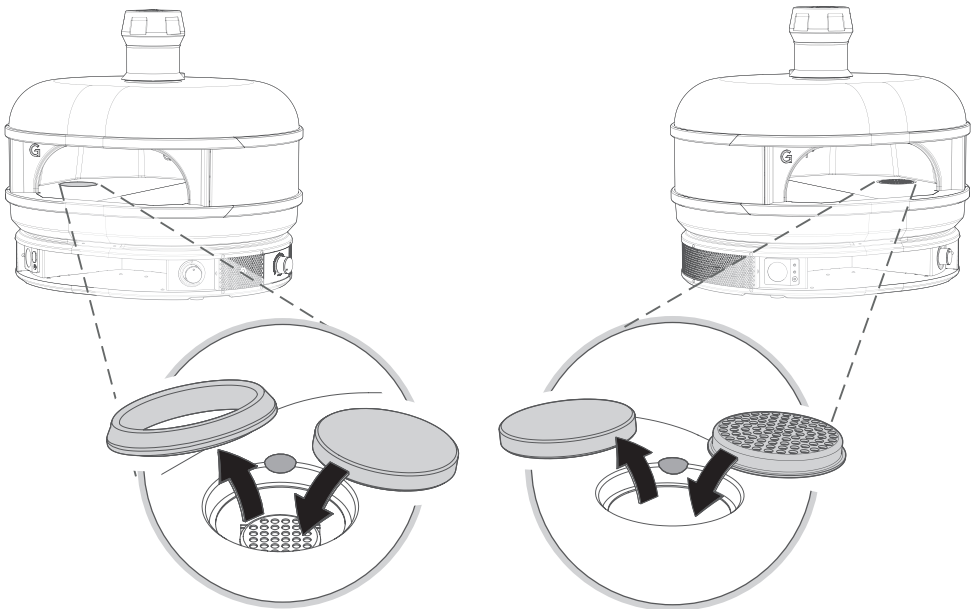
### WOODS NOT TO USE

---

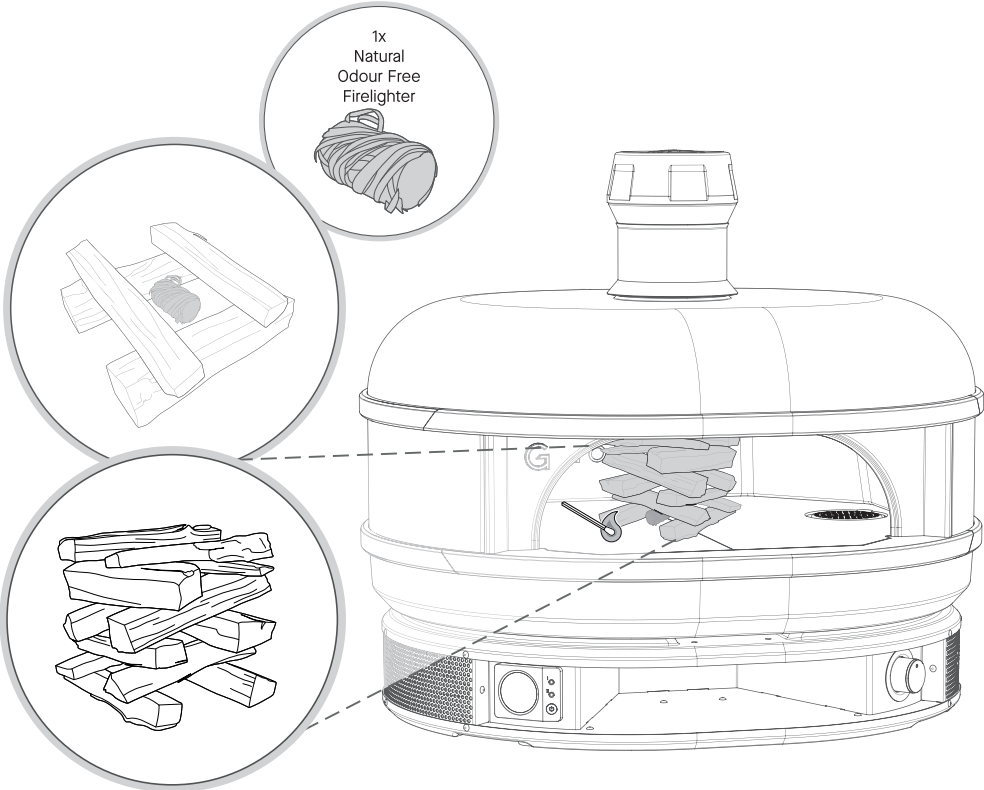
- Pine
- Fir
- Cedar
- Redwood
- Spruce
- Fatwood
- Processed woods e.g: painted or stained wood
- Sappy wood

## Wood Fire Set Up

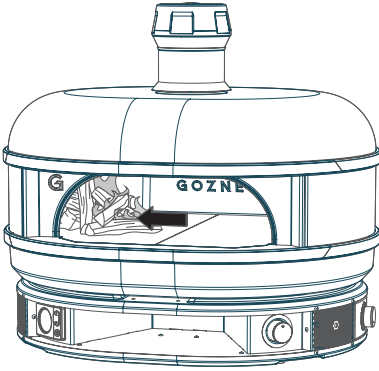
When firing the oven on wood you should have the stone puck covering the burner hole and the mesh puck over the ash shoot.



# Fire Starting

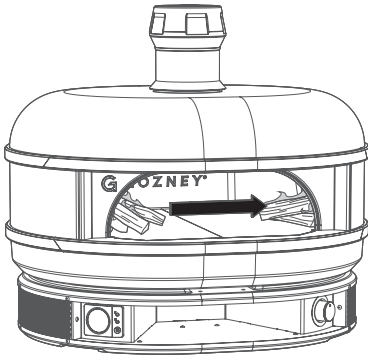


# Moving The Fire

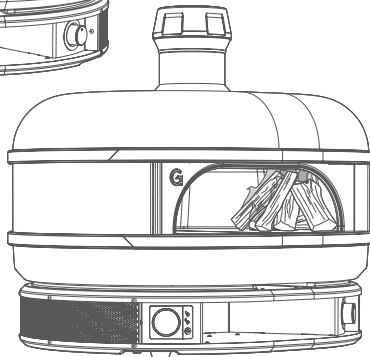


30  
Minutes  
Approx

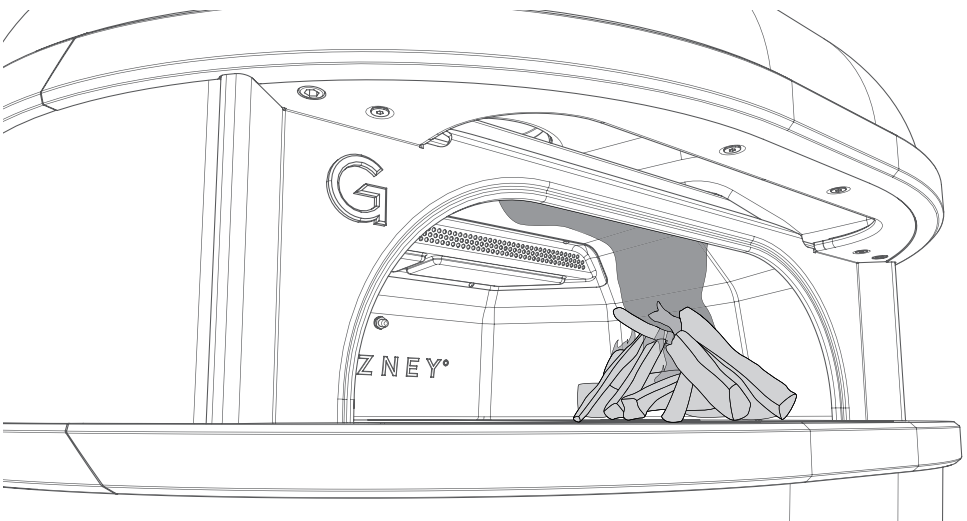
Once the fire has established itself in the centre of the oven push it over to the left and continue to feed it for approximately 30 minutes or until the oven is fully saturated.



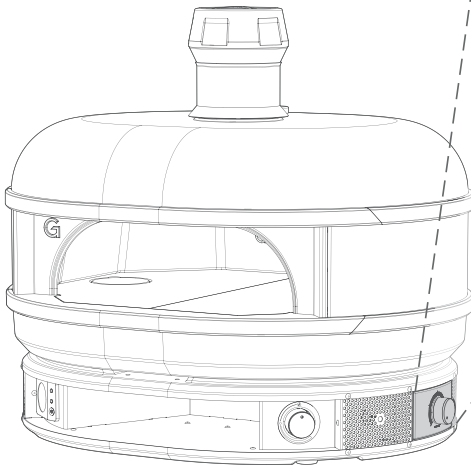
Then move the fire to the right of the oven (over the mesh puck), and continuously add wood to the fire to keep a rolling flame across the top of the oven.



The flame from the wood fire should role across the length of the oven's roof. Avoid overfeeding the fire, there should never be flames coming out the mouth of the oven. If you are struggling to get a good flame ensure the wood you are using follows our guidelines at the beginning of this chapter.



# Ash Tray



## FLOOR TYPE AND TEMPERATURE

---

Large rolling flames.  
Temperatures of 400°C+

---

Small flames.  
Temperatures of  
250°C - 350°C

---

Embers, fires died down.  
>200°C

---

After moving the fire over the mesh puck turn the control dial on the ash tray to the fully open position. This allows more oxygen to get to the fire and will help you achieve a good rolling flame across the top of the oven. Always wear oven gloves when adjusting the dial on the ash tray.

## FINISHED COOKING

---

Allow the fire to die down until there are no naked flames and only embers remain. The door can then be placed in the closed position to retain heat.

## COOKING WITH WOOD TIPS

---

For the best results and ease of cooking, be sure to use kiln dried wood with a moisture content of 20% or less.

Standard logs (including kiln dried) should not be stored in a commercial kitchen. Only solid fuels that have been HACCP certified (Hazard Analysis and Critical Control Point) are permitted to be stored in commercial kitchen locations. Please contact Gozney Ovens for more information on HACCP certified fuels.

---

### RECIPE EXAMPLES

### WOOD SIZE AND TYPE

### USING THE DOOR

---

Fast cook times such as Neapolitan pizza.

Lots of small piece of kiln dried hard wood kindling. (25 - 50mm)

DO NOT USE THE DOOR.

---

Finishing meats, charring vegetables or small items in a cast iron dishes such as lasagne.

Large pieces of kiln dried hard wood. (50 - 100mm)

Ok to use door when ajar do not close or leave unattended.

---

Slow roasting meats or vegetables. Baking breads.

Fire left to die down after the oven has been saturated.

Ok to use door in closed or ajar positions.

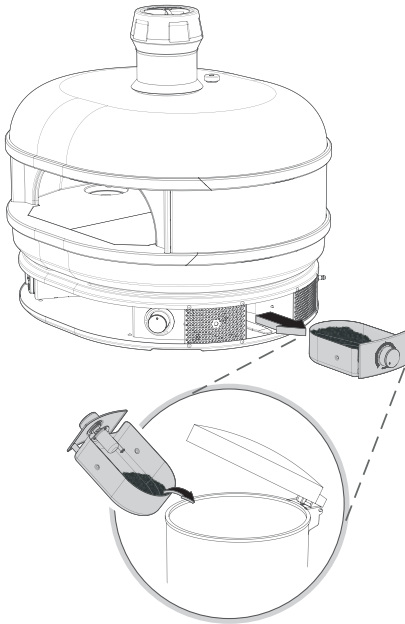
---



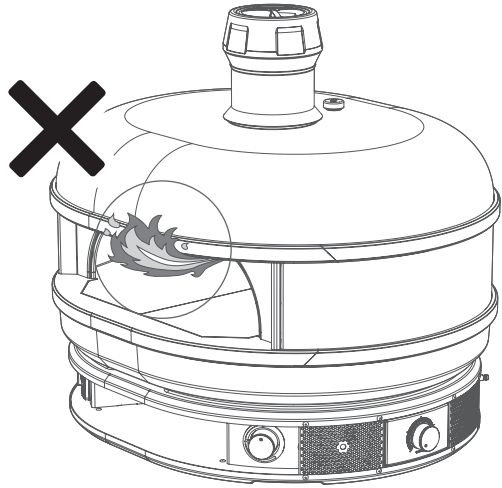
## ASH DISPOSAL

---

Ensure you wait until the oven is cool before attempting to remove the ash. Don't dispose of ash near or into anything flammable.







## FUEL OVERLOADING

---

Overloading is dangerous and can cause excess smoke and flame. There should never be flames coming out the mouth of the oven or up the flue, if this happens step away from the oven and wait for the fire to die down.

## REFUELLING ONTO A LOW FIRE BED

---

If there is insufficient burning material in the fire bed to light a new fuel charge, excessive smoke emission can occur. Refuelling must be carried out onto a sufficient quantity of glowing embers and ash that the new fuel charge will ignite in a reasonable period. If there are too few embers in the fire bed, add suitable kindling to prevent excessive smoke.

## CLEANING THE OVEN

---

The oven floor should reach temperatures of 343°C to start “self-cleaning”. To do this raise the temperature of the oven to above 360°C for a period of three hours.

## ASH DISPOSAL

---

After 24 hours ashes can still be hot. When removing ash from your oven, a non-combustible tool must be used at all times.

- Ash should be placed in a metal container, with tight fitting lid and removed using a non-combustible ash shovel.
- The closed container of ashes should be placed in a safe place until thoroughly cooled.

Your guide to general maintenance.

**5**

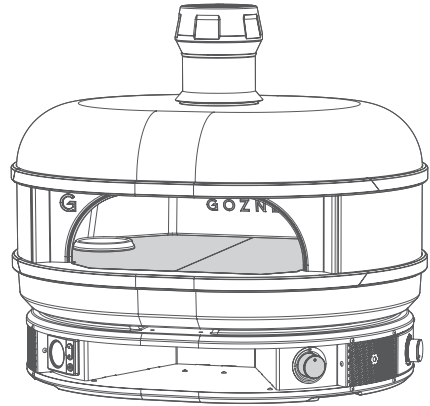
# General Maintenance

# Cleaning The Oven

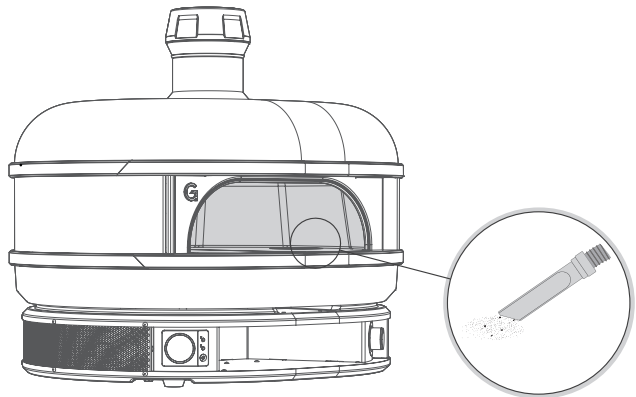
## INTERNAL

---

The best way to clean the inside of the Dome is to burn off any food debris or soot that is left behind. When the oven is over 343°C it will start self cleaning and any burnt on food will burn off after a period of three hours.



If there is any soot or debris left, wait for the oven to cool down and use a soft brush to dislodge, being careful not to apply too much pressure and damage the oven. Use a vacuum cleaner to remove the loose debris from the oven.

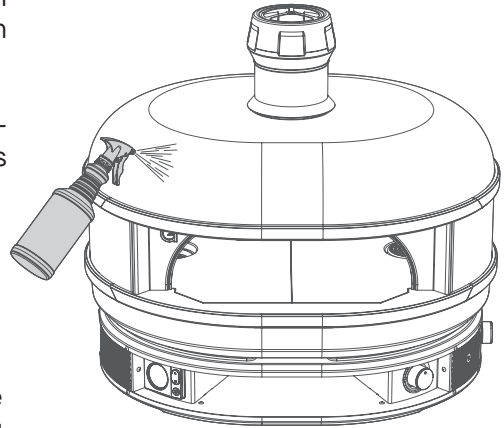


## EXTERNAL

---

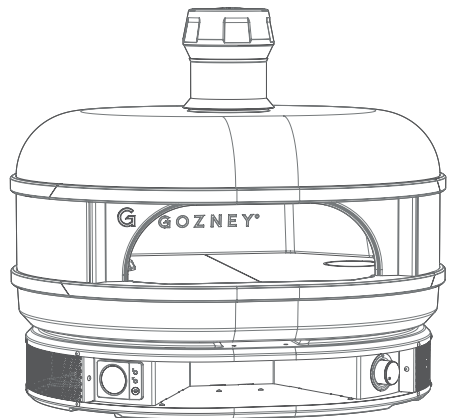
For the exterior of the oven use a non caustic bleach free cleaning spray on the dirty areas. Polish the area with a non abrasive dish cloth and then wipe clean with paper towels.

Avoid spraying directly onto the thermometer, control dial or meshed areas on the base of the oven.

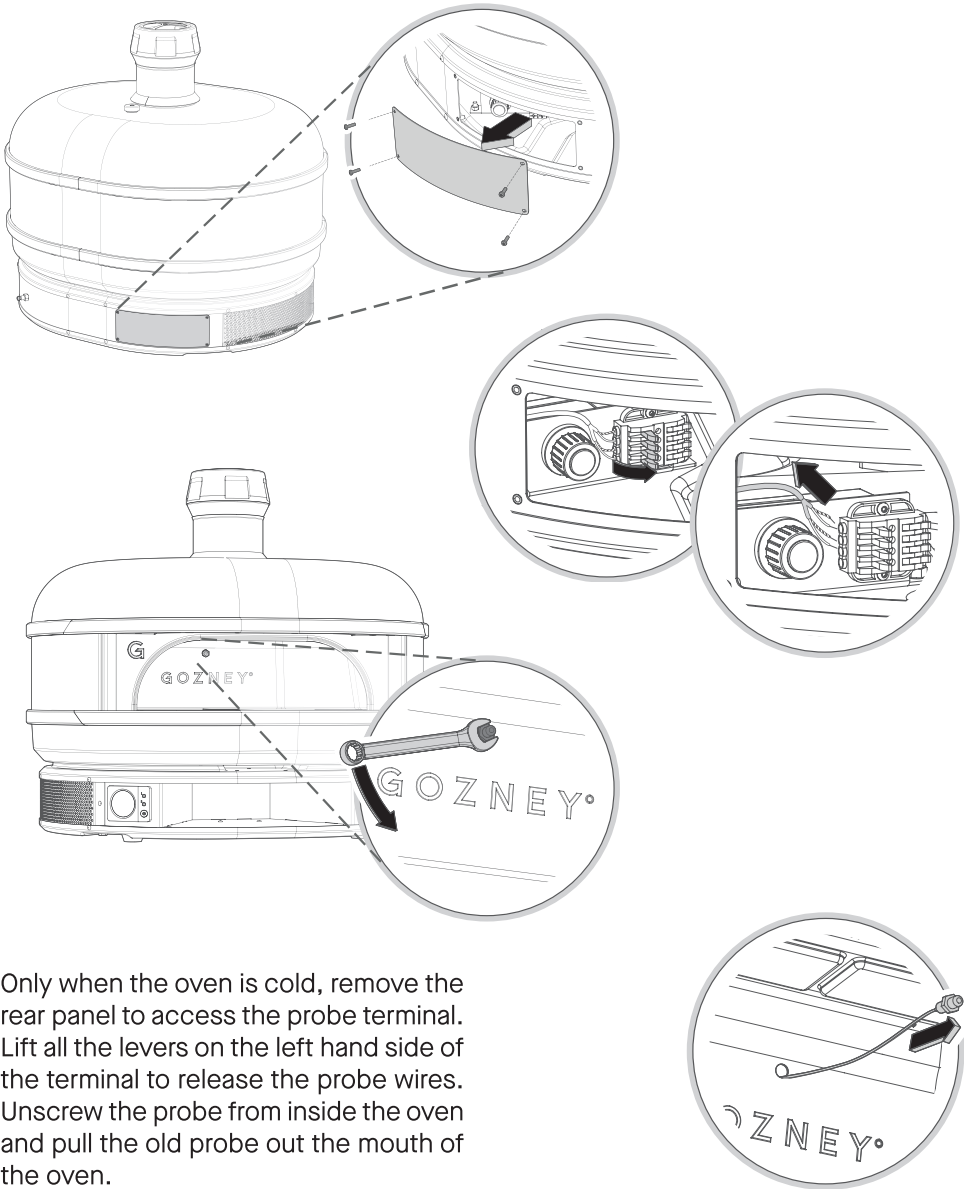


When the oven isn't in use it should be kept under cover away from rain. If you are placing a cover directly on Dome, ensure it's completely cooled down before covering.

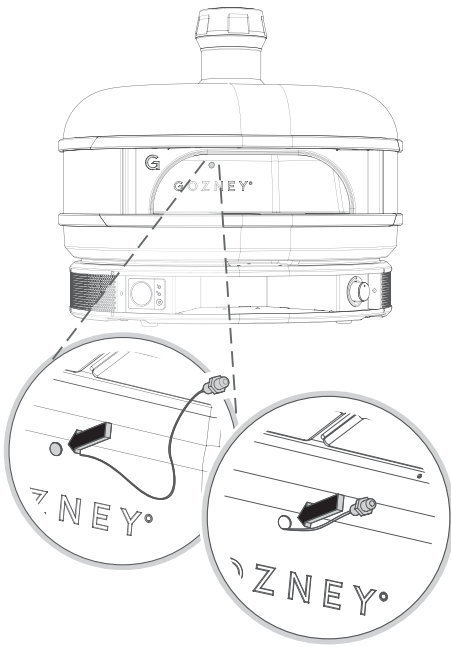
When using the oven after a long spell of no use, we recommend firing the oven as if it is a first firing.



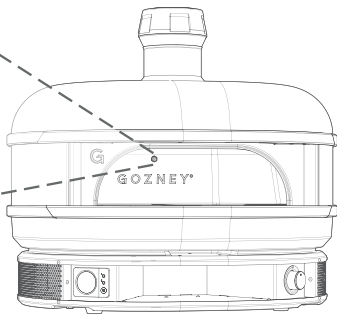
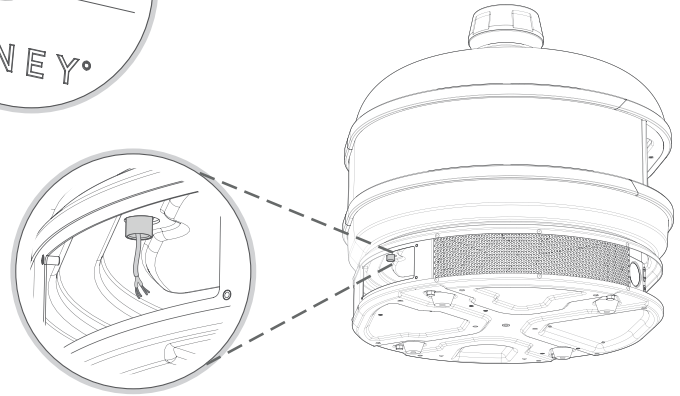
# Replacing The Probe



Only when the oven is cold, remove the rear panel to access the probe terminal. Lift all the levers on the left hand side of the terminal to release the probe wires. Unscrew the probe from inside the oven and pull the old probe out the mouth of the oven.



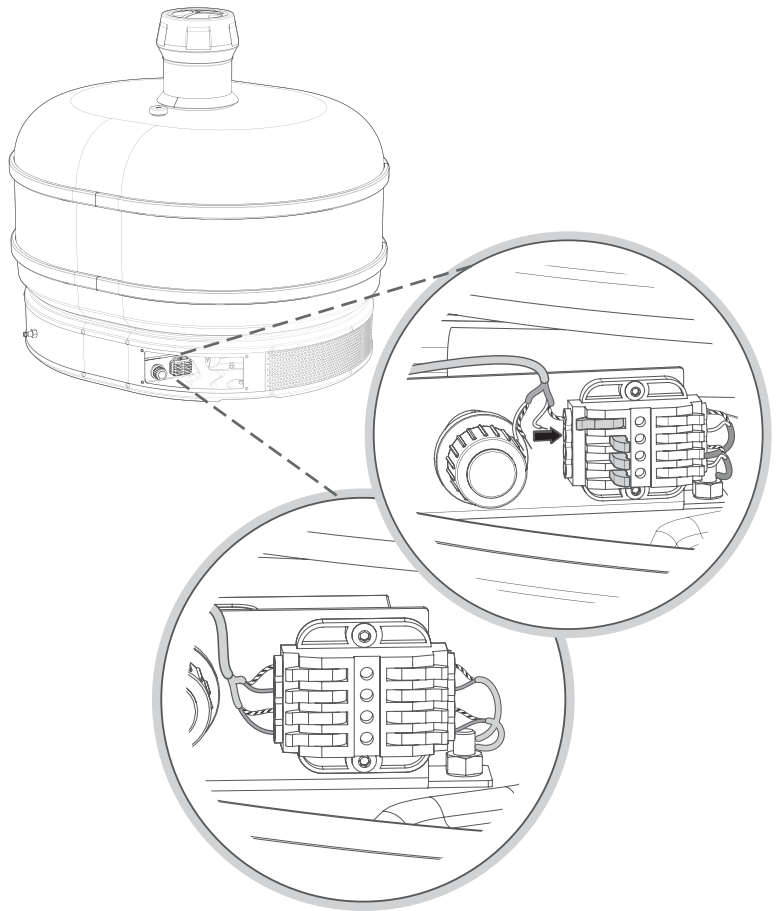
Push the new probe's wires into the hole and feed them through until they are visible from inside the rear panel. Hand tighten the probe in place, avoid using a spanner as you may damage the probe.



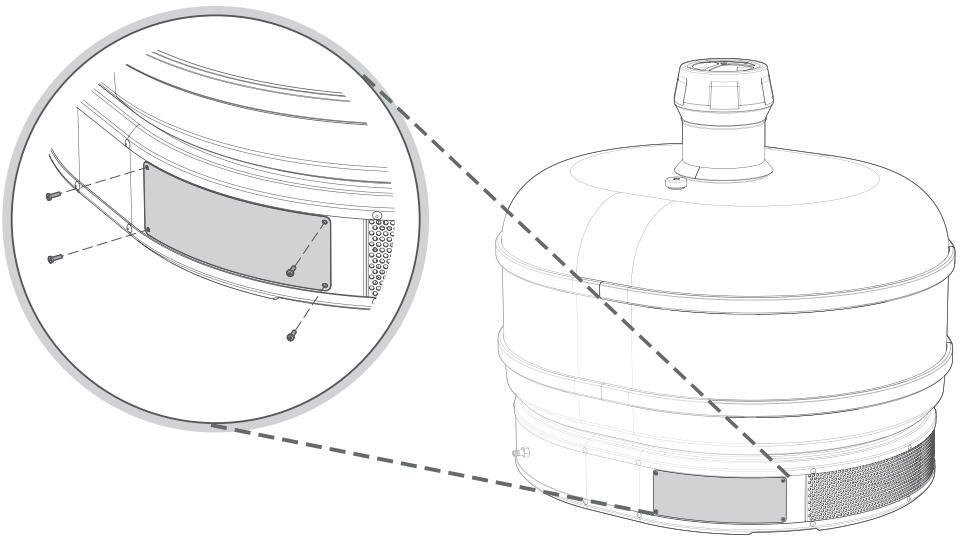
**⚠** **BEWARE:** Don't over tighten probe.

To wire the new probe, lift all the levers on the left hand side up and insert the wire into the holes on the side of the junction. The pattern/colour of the wire should match the corresponding wire on the opposite side of the junction.

When the wire is fully inserted, push the lever back to its original position to clamp the wire in place. Ensure the wire is fully clamped in place before moving onto the next wire.







Double check the probe is functioning by checking the digital temperature display and return the panel to the back of the oven.

This section explains the warranty associated to the oven.

6

# Warranty Information

# Warranty Information

## WHO IS COVERED BY THIS WARRANTY?

---

This limited warranty is non-transferable and applied only to the original end user purchaser. An original or copy of a sales receipt from the original sales retailer is required as proof of purchase to seek warranty service.

## WHAT IS COVERED BY THIS WARRANTY?

---

Gozney Ltd warrants that Gozney Dome will be free from defects in workmanship and materials under normal use for a period of one (1) year from the original purchase date (“Limited Warranty Period”).

## WHAT IS NOT COVERED BY THIS WARRANTY?

---

This limited warranty does not cover any damage or malfunction arising from: Normal wear and tear of Product use, any and all commercial use of the Product (the Product being for domestic use only), misuse, lack of care, mishandling, accident, abuse or other abnormal use. Use of the Product other than for its intended purpose. Damage caused by improper or unauthorized repair or maintenance. Product that has been modified or altered. Any product that is not manufactured by Gozney (including, without limitation, any non-Gozney product that is used in connection with the product). Products purchased from Non-Authorised retail outlets, including third party merchants on online market-places such as Amazon.com and ebay.com.

## HOW TO MAKE A WARRANTY CLAIM WITH DOME

---

All warranty claims must be made directly to Gozney. All returned products must be returned within the Limited Warranty Period and include a completed Gozney issued WCF (Warranty Claim Form). To obtain a WCF, a request for one must be submitted directly to Gozney's customer service department at [enquiries@Gozney.com](mailto:enquiries@Gozney.com) (and including in the subject line: Warranty Claim) during the Limited Warranty Period explaining the defect in the Product. You must include the original or copy of a sales receipt for the returned product. Incomplete returns will not be accepted. Once Gozney receives your returned Product, Gozney will evaluate your claim (typically within 7-10 business days) to determine whether the returned Product does not

conform to this Limited Warranty. If Gozney determines that there is no trouble found with your returned Product or the returned Product does not qualify for warranty service, Gozney will ship the Product back to you, at Gozney's expense. If Gozney determines that there is a warranted defect in the Product, Gozney will, at its option, remedy the defect as set forth below in the limited warranty. Gozney is not liable for Products that are damaged or lost in transit to Gozney. We recommend that you ship your returned products to Gozney via a traceable shipment method. You are responsible for custom fees, including, but not limited to, taxes, duties and brokerage.

# Warranty Information

## WARRANTY DISCLAIMERS

---

### SOLE AND EXCLUSIVE REMEDY

---

Your sole and exclusive remedy for a breach of this limited warranty, and Gozney's sole and entire liability is, at Gozney's option, to repair or replace the defective product. Repair or replacement (including parts and labour and shipping costs) shall be made at Gozney's expense. Gozney reserves the right to send you a replacement product that is the same or of a similar style or a substitute equivalent that may not be of like kind (depending on availability). Replacement products will be furnished only on an exchange basis. Replacement products are warranted as above for the remainder of the original applicable Product warranty period.

Except as expressly set forth above in this limited warranty, Gozney makes no other express or implied warranties to the extent permitted by law. The duration of any implied warranties is limited to the durations set forth in this limited warranty. Some jurisdictions do not allow the exclusion of implied warranties or limitations on how long an implied warranty may last, so such limitations or exclusions may not apply to you. This warranty gives you specific legal rights and you may also have other rights which vary from jurisdiction to jurisdiction. Limitation of liability in no event shall Gozney or its suppliers be liable to you or any third party for any indirect, incidental, consequential, special or exemplary damages arising out of the use of the Product, including, without limitation, property damage, loss of value of the Product or any third party products that are used in or with the prod-

## EU DECLARATION OF CONFORMITY

---

Manufacturer's Name: Gozney Limited  
Manufacturer's Address: Units 18 & 19,  
Radar way, Christchurch, Dorset, BH23  
4FL UK.

Herewith declare that this product  
Product: Dome oven  
Model(s) / Type(s): 4555-Dome-1  
Trade name: Dome

Is in conformity with the following EC  
directives:

- Gas Appliance Regulation (EU)  
2016/426

and that the following harmonized stan-  
dards have been applied:

EN 498:2012[E] & EN1860:2013

The Notified Body who has performed  
EC Type Examination: EC Type Examina-  
tion Certificate: 0845CR0004

Notified Body: Danish Institute of Fire  
and Security Technology

Notified Body no.: 0845

END OF LIFE

---

uct, or loss of use of the Product or any  
third party products that are used in or  
with the Product, even if Gozney has  
been advised of the possibility of such  
damages.

Notwithstanding any damages that you  
might incur for any reason whatso-  
ever (including, without limitation, all  
damages referenced herein and all direct  
or general damages in contract, tort  
(including negligence) or otherwise), the  
entire liability of Gozney and any of its  
suppliers shall be limited to the amount  
actually paid by you for the product.

Some territories and / or jurisdictions do  
not allow the exclusion or limitation of  
incidental or consequential damages, so  
the above limitations or exclusions may  
not apply to you.

The warranty gives you specific legal  
rights. You may also have other rights  
that vary from territory to territory.

At products end of life, please dispose  
responsibly.

General Advice associated to the oven.





# General Advice

## GENERAL ADVICE

---

The Dome gets extremely hot and should not be used by children. Do not allow children near the device during or after operation. Dome can stay hot for a few hours after use.

—

Do not use under any apartment or condominium balcony or deck.

—

Dome is not intended for and should never be used as a heater.

—

Dome has not been designed or intended to be used on a boat or within a recreational vehicle or any other form of confined area.

—

Assembly and operation of the oven should be carried out by a competent person.

—

The use of alcohol, prescription or non-prescription drugs may impair the consumers ability to assemble or operate the device safely.

—

Do not use any plastic or glass utensils within the Dome.

—

Use heat-resistant gloves when operating the oven.

Do not insert items into Dome that are bigger than the dimensions of the oven mouth.

—

Do not over fill the Dome or cover the burner.

—

Do not move the Dome whilst in operation.

—

Do not operate the Dome in strong winds. Winds can extinguish the flame and also cause irregular air pressure resulting in the flame and heat coming out the back of the Dome. Use a wind break in open areas but keeping over 45cm away from the device.

—

Do not pour water on to the cooking stone as this will likely crack it and could be dangerous because of oil and grease.

—

Do not wear loose flammable clothing or sleeves near the Dome.

—

Parts sealed by the manufacturer or the agent shall not be manipulated by the user.

—

Never use gas and wood simultaneously.

—

For replacement parts go to [Gozney.com](http://Gozney.com).



GOZNEY°