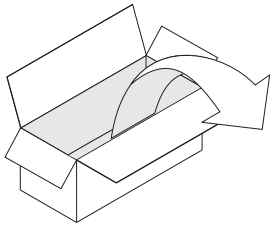
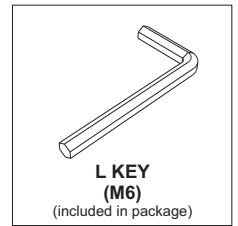


## TEAK OSCAR DESK ASSEMBLY INSTRUCTION FOR DESK INSTALLATION



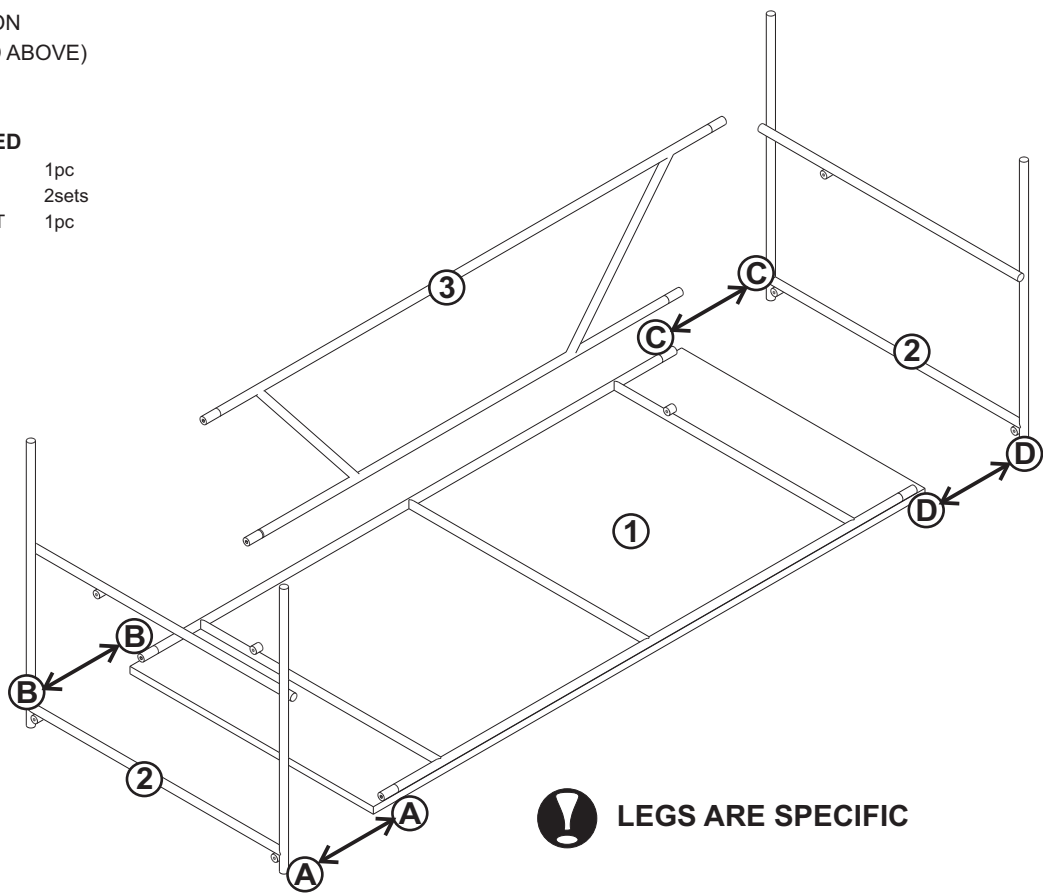
### TOOL



**IN YOUR PACKAGE :**  
ASSEMBLY INSTRUCTION  
HARDWARE (AS LISTED ABOVE)

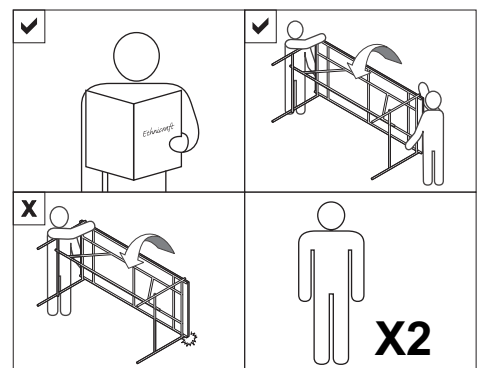
### PARTS TO BE INSTALLED

- 1. TABLE TOP 1pc
- 2. LEGS 2sets
- 3. LEG SUPPORT 1pc



**! LEGS ARE SPECIFIC**

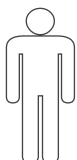
### NOTICE



### SYMBOLS



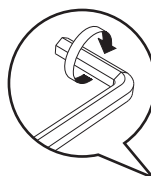
DIRECTION



NUMBER OF PERSON NEEDED



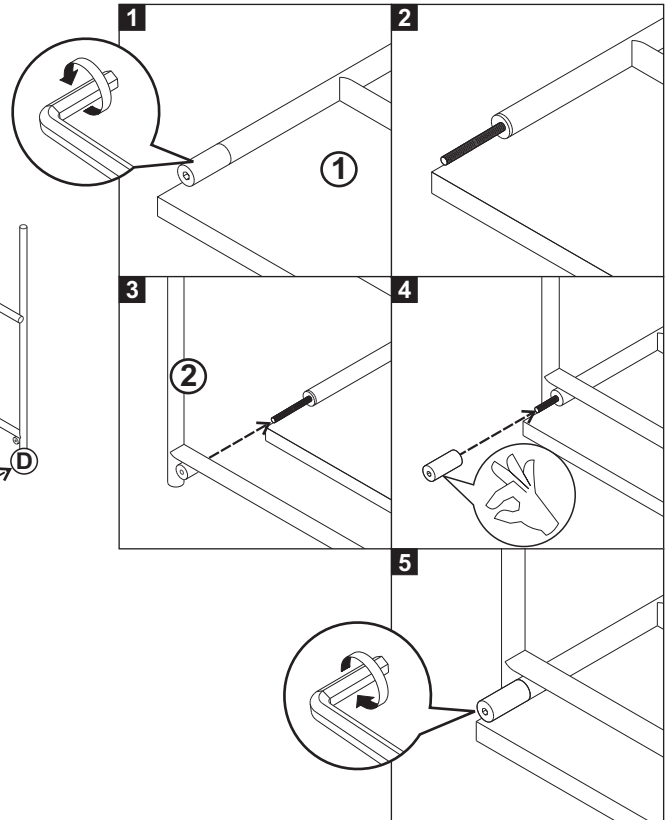
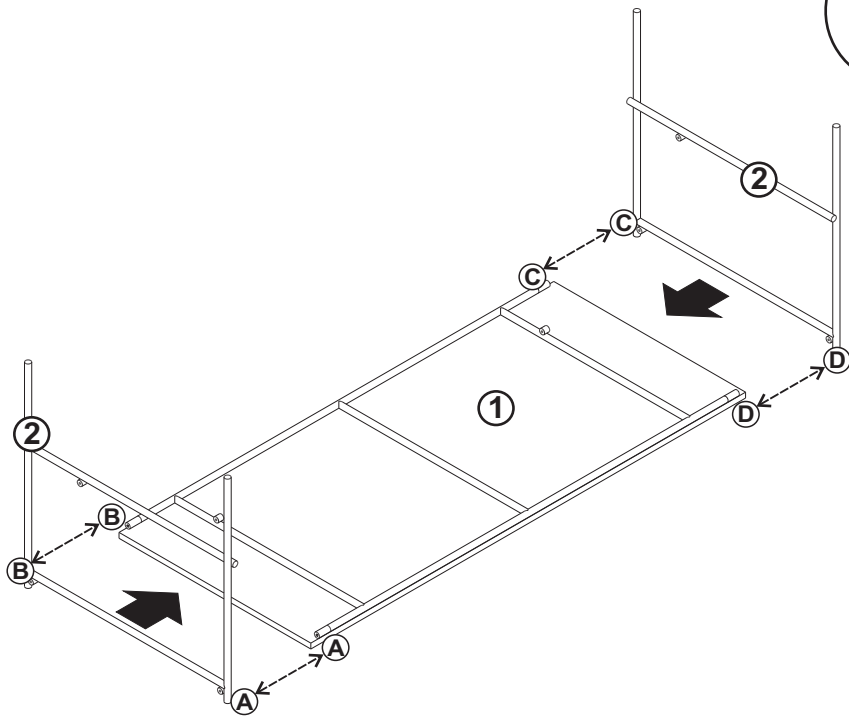
USE HAND



USE L KEY TO TIGHTEN

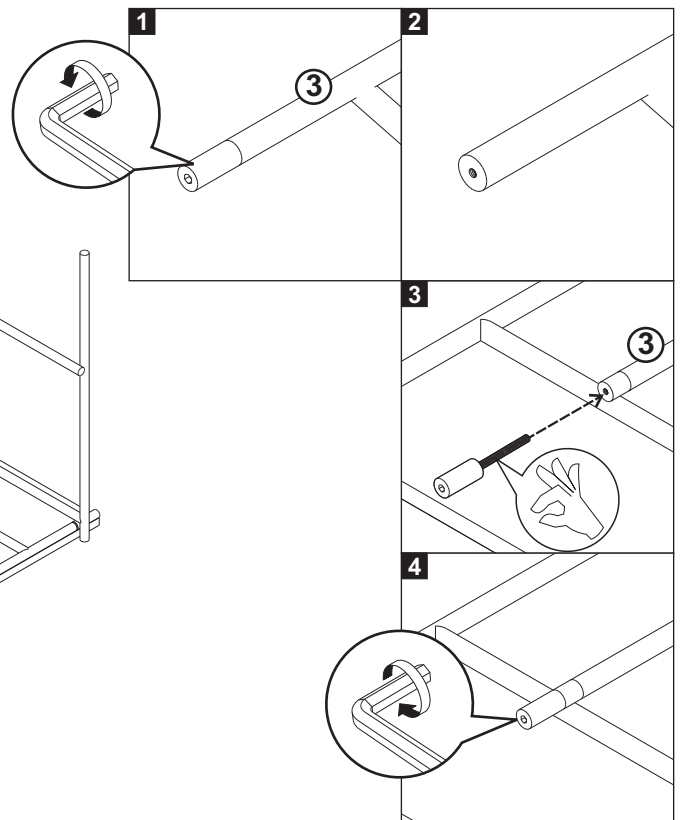
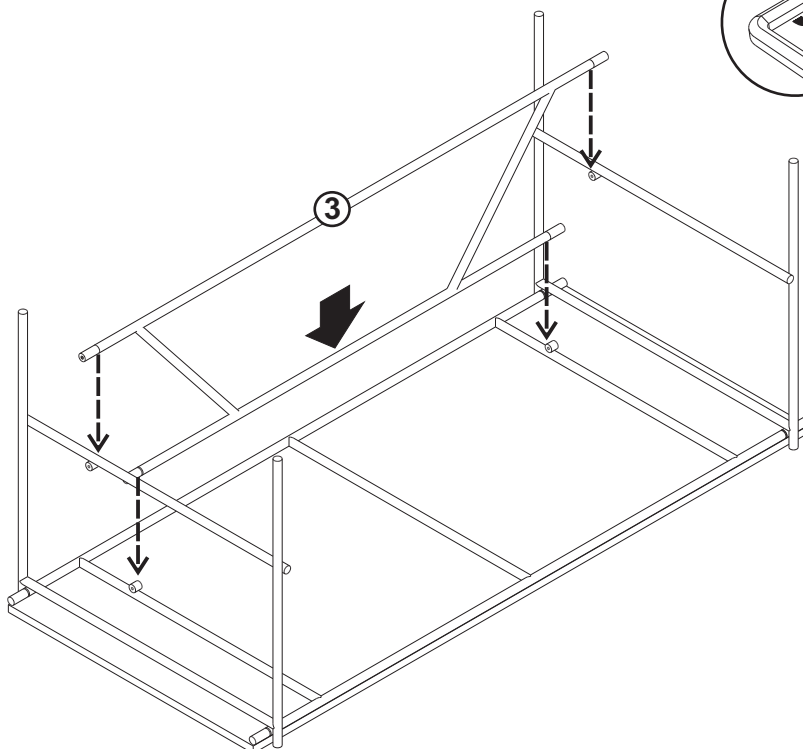
## TEAK OSCAR DESK ASSEMBLY INSTRUCTION FOR DESK INSTALLATION

### A. INSTALLING LEGS



 - ALWAYS REFER THE CODE  
- DO NOT FULLY TIGHTEN

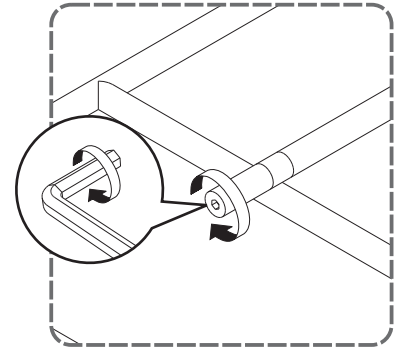
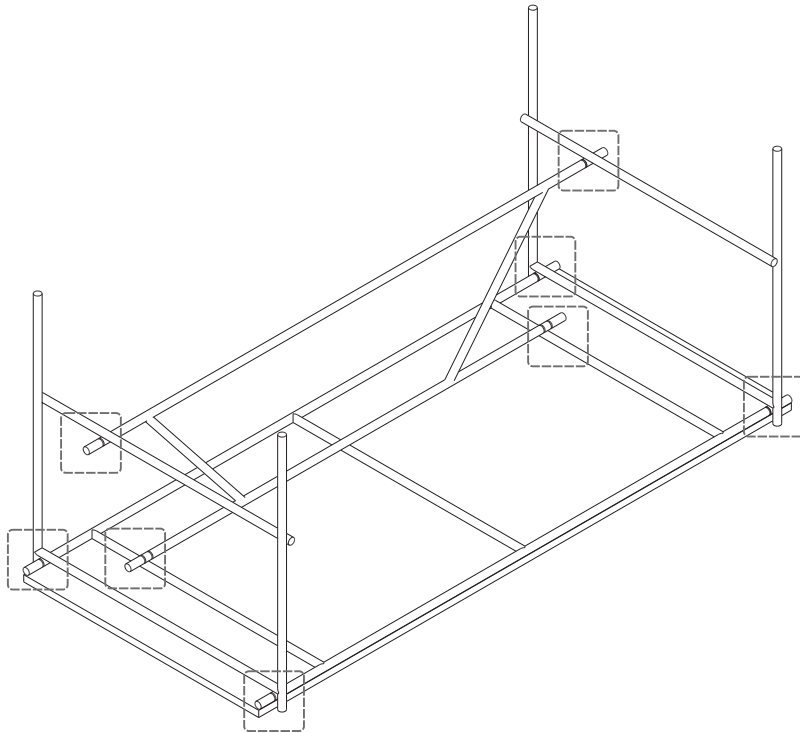
### B. INSTALLING LEG SUPPORT



 DO NOT FULLY TIGHTEN

## TEAK OSCAR DESK ASSEMBLY INSTRUCTION FOR DESK INSTALLATION

### C. RE-TIGHTEN THE SCREWS & NUTS



 **TIGHTEN FULLY ALL BOLTS & NUTS**

### D. FINISH

