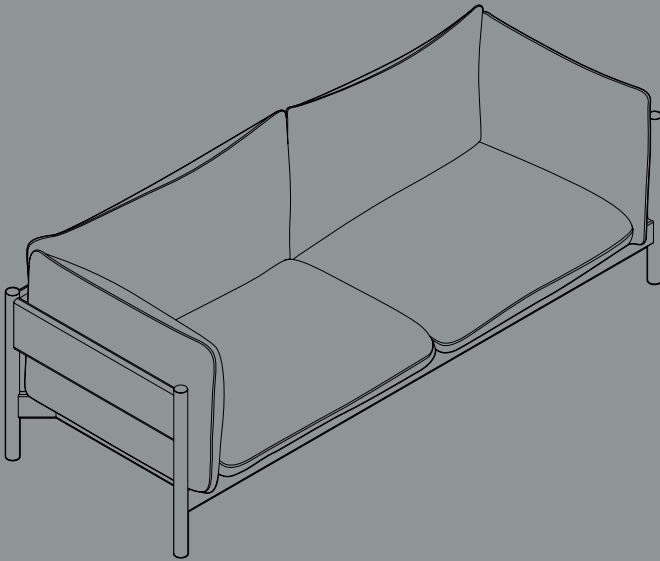


- INSTRUCTION MANUAL -

ARBOUR ECO



DESIGN BY ANDREAS ENGESVIK & DANIEL RYBAKKEN

HAY

Embodying the concept that design should follow construction, Andreas Engesvik and Daniel Rybakken's Arbour is assembled from separate components that have been independently produced for optimal comfort, quality, and efficiency. This sofa was developed with an intention to create a durable sofa that would qualify for the Nordic Swan Ecolabel within the European market, and it features FSC-certified wood for the frame and selected, eco-labelled upholsteries for the covers. The seat and back cushions are made in carefully balanced proportions, with identical side cushions creating a sense of harmony and offering the opportunity for multiple comfortable sitting or lying positions, while the frame creates a strong yet elegant profile with an architectural quality. With its logical construction and uncluttered design language, Arbour Eco fuses its distinctly Scandinavian aesthetics with high comfort and great durability.



CAUTION

With a little care you can prolong the life of your furniture. Follow the instructions for the materials of your specific product to make sure that it stays in the best shape for as long as possible.

The information below is only intended as a general guideline. For more information on how to remove specific stains, please enquire where you bought the furniture.

- / Always remove stains quickly before they can do any permanent damage to the furniture.
- / Avoid placing the furniture in direct sunlight or near a strong heat source to reduce changes. As wood is a natural material, it will change in colour and will patinate over time. HAY only uses top quality fabrics, but all fabrics fade and seams weaken when exposed to sunlight or strong heat.
- / General exposure to dust and dirt wears down the fabric. Regular cleaning is important in order to keep the upholstery looking its best and to prolong its life.
- / When you move your furniture, make sure you lift it rather than pulling or pushing it to avoid damaging the floor, legs and mountings.
- / Avoid improper use such as sitting on the back or armrests, or standing on the sofa.
- / Be careful not to scratch or damage the surface with sharp objects.

/ Smooth out creases and wrinkles with your hand after use to even out the fabric and prevent seam lines from becoming skewed.

/ Plump the cushions regularly to maintain the shape.

FABRICS

/ Vacuum the furniture regularly using the upholstery nozzle to remove dust and avoid fluff and pilling.

/ Straighten the fabric with your hands from time to time. Wrinkles in the fabric can be straightened using a steamer.

/ Soak up spilled liquids immediately with an absorbent napkin or cloth by dabbing gently towards the centre of the stain.

/ Never use concentrated detergents or bleach, ammonia, optical brighteners or soap intended for hard surfaces.

/ We do not recommend spot cleaning of individual marks and stains as this damages the fabric and causes colour loss.

/ On wool fabrics, most stains can be removed with lukewarm water on a clean lint-free cloth. If necessary, add a little neutral detergent. Avoid rubbing the material hard as this could result in loss of colour and damage the fabric. It may also be necessary to use a hairdryer to avoid leaving a water outline. If the stain persists, consult a specialist cleaner.

OILED WAXED WOOD

- / Please remove the cushions before oiling the surfaces to avoid staining of the textile or leather.
- / Wipe with a clean, dry cloth. If the surface is dirty, wipe with a clean cloth wrung in water.
- / Never use soft soap or solvents such as spirit, turpentine or acetone.
- / Avoid using scouring cream or scouring pads, as they may scratch the surface.
- / Do not use cleaning products containing alcohol, as they may damage the surface.
- / If the surface is scratched or appears matt, make sure to use an oil wax hardening care product specifically designed to maintain oiled waxed wooden surfaces.
- / Apply the oil wax product following the instructions on the packaging.
- / Please make sure to follow the curing times on the oil wax packaging instructions before placing the cushions on the frame.
- / If the grain of the wood rises after oiling, wipe with a clean, dry cloth. If the surface is dirty, gently sand down the wood using fine-grit sandpaper (No. 150 or more), always sanding in the direction of the grain.
- / To optimally maintain the naturally beautiful appearance of the wood, we recommend you regularly treat the furniture's surface with oil whenever it appears dull, scratched or as needed.

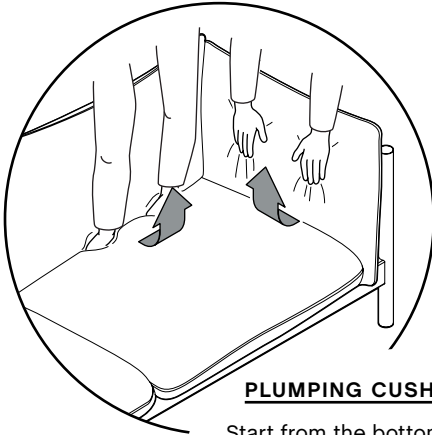
WATER-BASED LACQUERED WOOD

- / Wipe with a clean cloth wrung in water or in a solution of water and a neutral detergent. Remove soap residue immediately using a clean, dry cloth.
- / If the surface is scratched or appears matt, use a care product specifically suited to lacquered or stained wood.
- / Avoid using detergents containing silicone, as they seal the stain in and make subsequent repairs more difficult.
- / Never use soft soap or solvents such as spirit, turpentine or acetone. Do not use cleaning products containing alcohol, as they may damage the surface. Avoid using scouring cream or scouring pads, as they may scratch the surface.

CUSHION COVERS

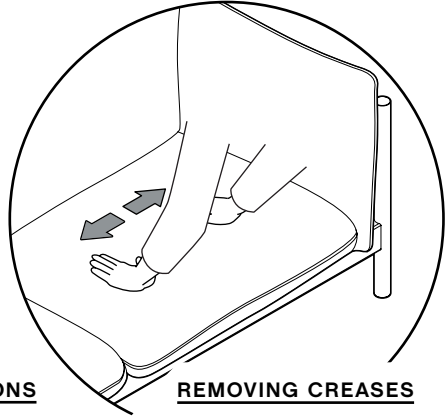
- / Cushion cover are replaceable and are sold separately.

Over time, your sofa will need some attention to ensure that the cushions remain plump and the seat cushion keeps its shape. To ensure that the cushions' filling is spread evenly, follow these steps to plump the cushions. Repeat regularly when needed. More information on your specific fabric can be found under care and maintenance.



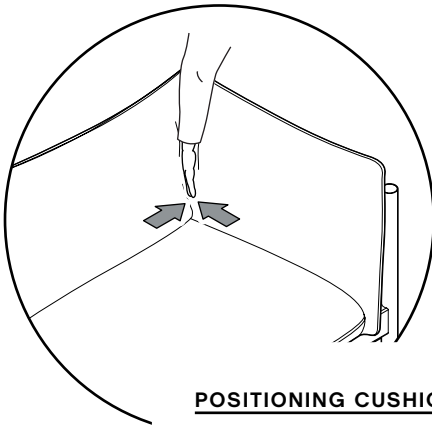
PLUMPING CUSHIONS

Start from the bottom of the cushions and pull your hands upwards, while applying pressure.



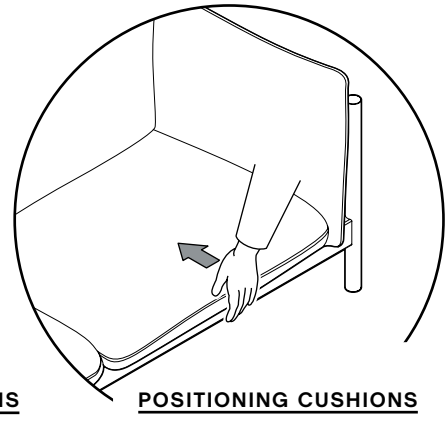
REMOVING CREASES

Smooth creases out by running your hands over the cushions.



POSITIONING CUSHIONS

Pull both back and side cushions towards the corner of the sofa.

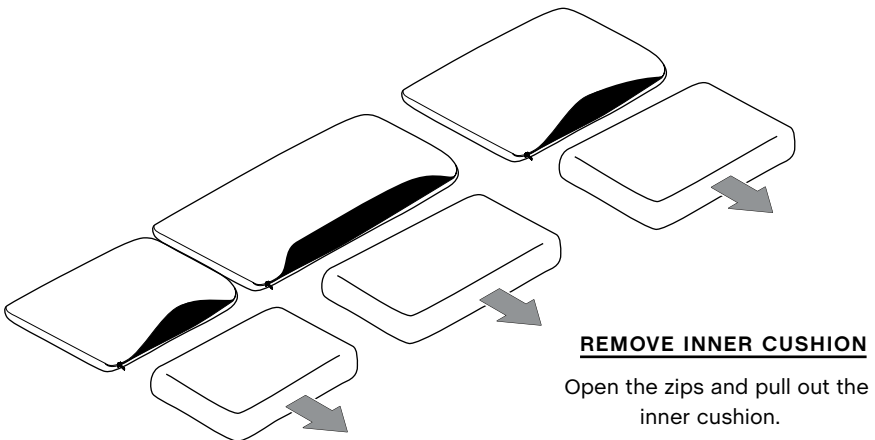
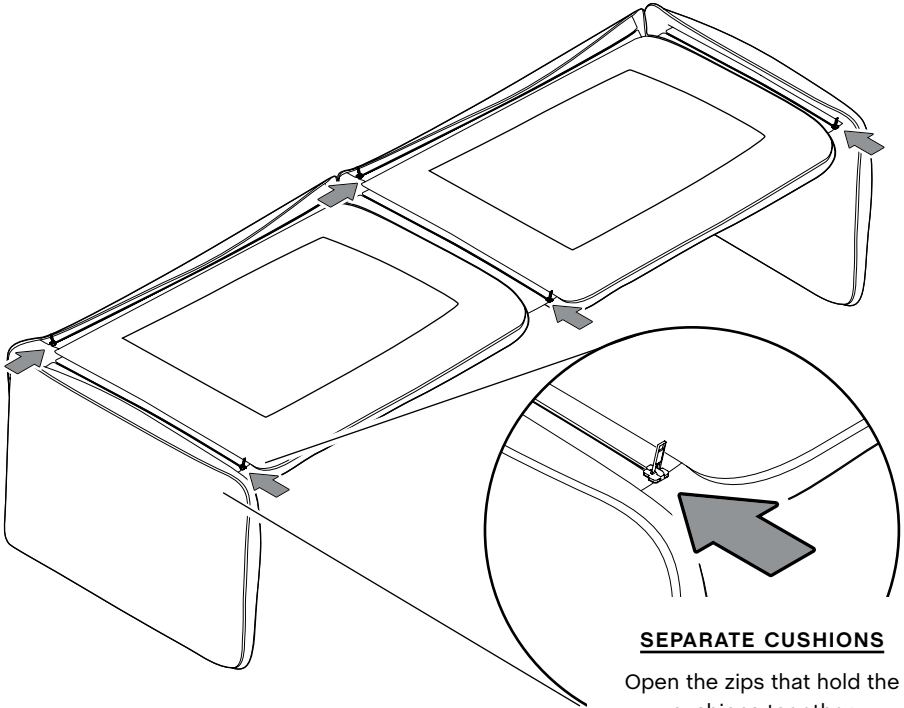


POSITIONING CUSHIONS

Push the seat cushions all the way back to the backrest.

- REMOVING COVERS -

If you want to replace the covers or are removing the covers for other reasons, first separate the cushions from each other by opening the zips. Then open the zips on each cushion and pull the inner cushion out.

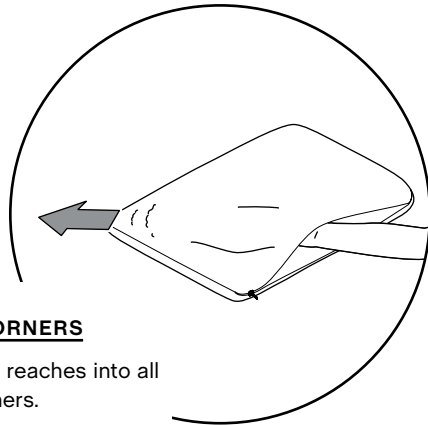
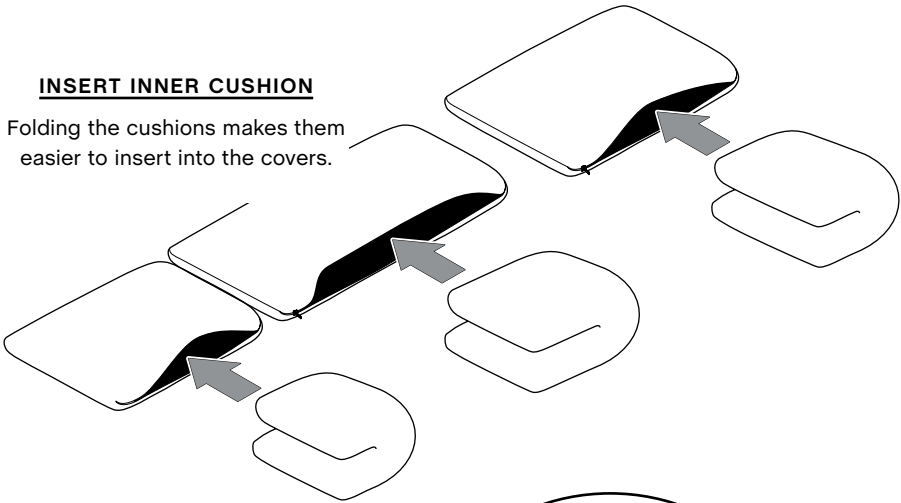


- INSERTING CUSHIONS -

When inserting the inner cushions into the covers, it is helpful to fold the cushion. Then use your hand to make sure the filling reaches into all the corners.

INSERT INNER CUSHION

Folding the cushions makes them easier to insert into the covers.

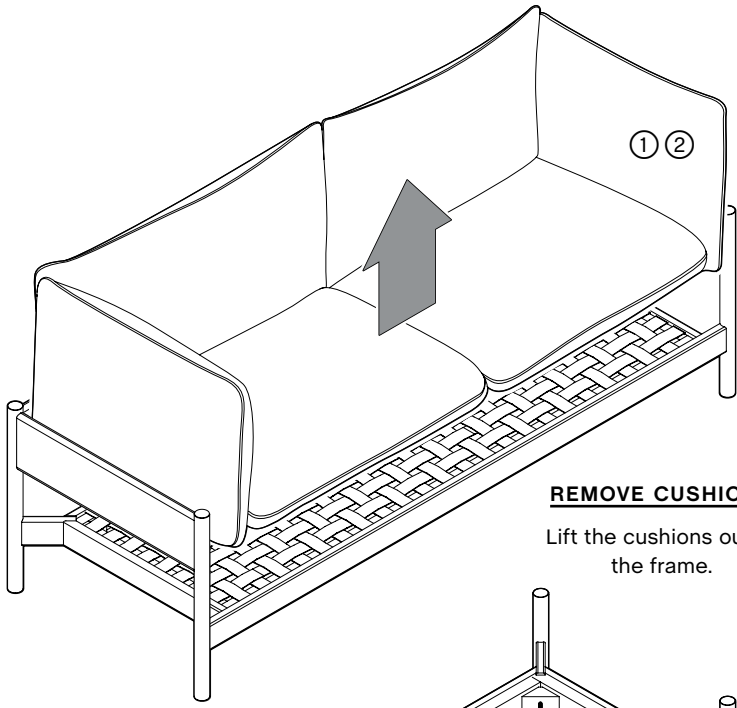


FILLING CORNERS

Make sure the filling reaches into all the corners.

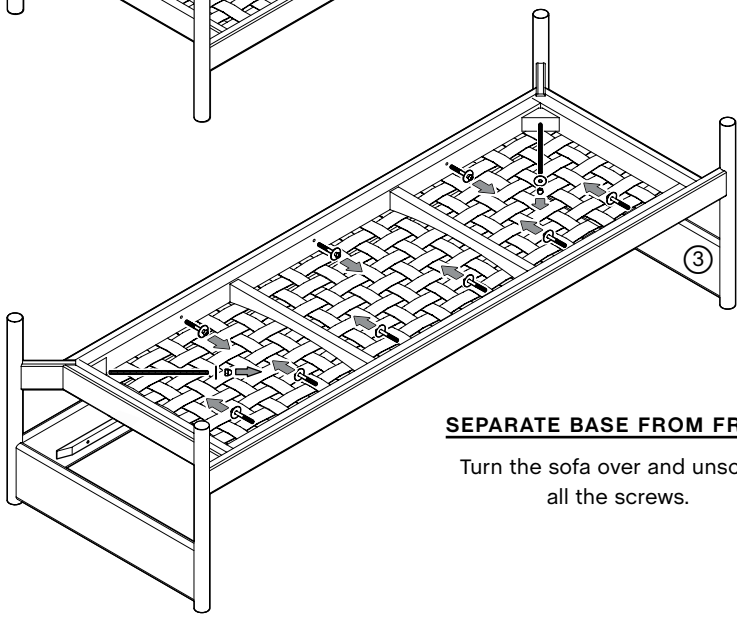
- DISASSEMBLY -

Whether you want to replace parts of your sofa or recycle it at the end of its life cycle, below is an illustration of how to disassemble the sofa.



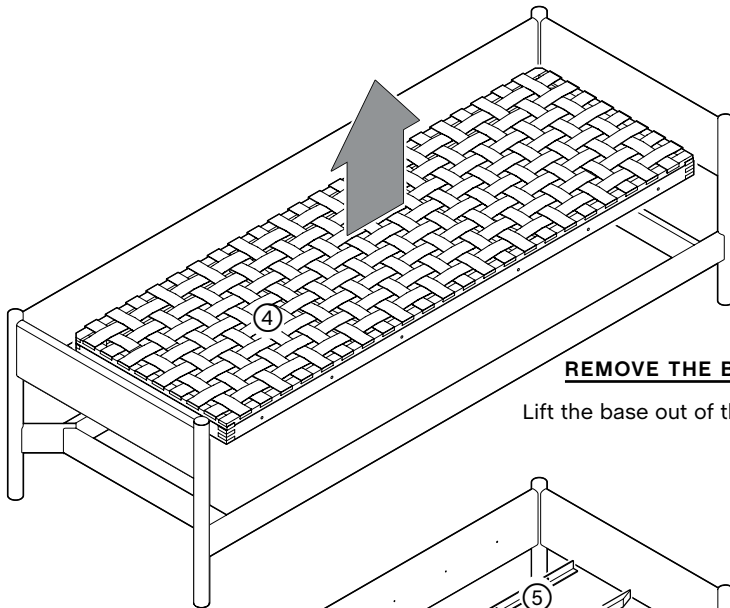
REMOVE CUSHIONS

Lift the cushions out of the frame.



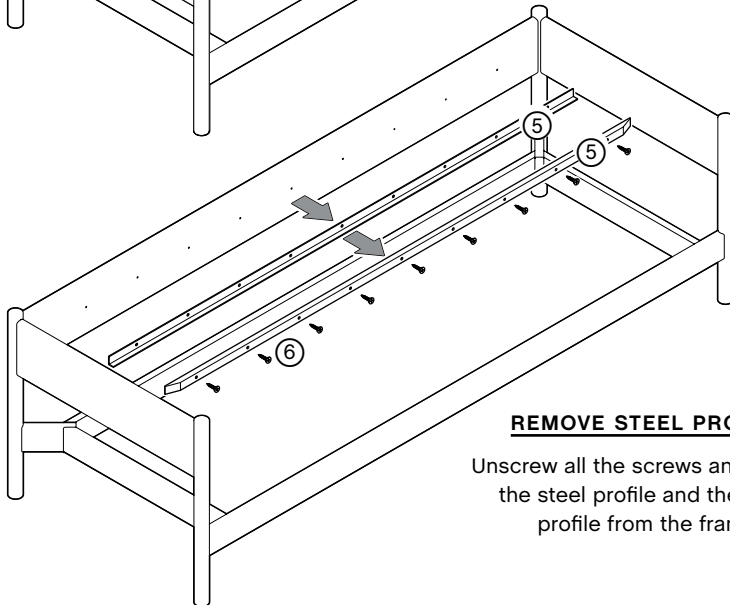
SEPARATE BASE FROM FRAME

Turn the sofa over and unscrew all the screws.



REMOVE THE BASE

Lift the base out of the frame.



REMOVE STEEL PROFILE

Unscrew all the screws and remove the steel profile and the wood profile from the frame.

LIST OF MATERIALS

- ① CUSHION COVER - Material varies depending on the upholstery
- ② CUSHION FILLING - Feathers, polyurethane foam
- ③ FRAME - Solid wood
- ④ BASE - Polyester webbing with wooden frame
- ⑤ REINFORCEMENT BAR - Steel/wood
- ⑥ SCREWS - Steel

Havnen 1 8700 Horsens Denmark
+45 4282 0282 / hay@hay.com

14/09/20

HAY