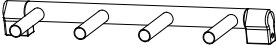





## UNIVERSAL GUITAR RACK - 3 GUITARS

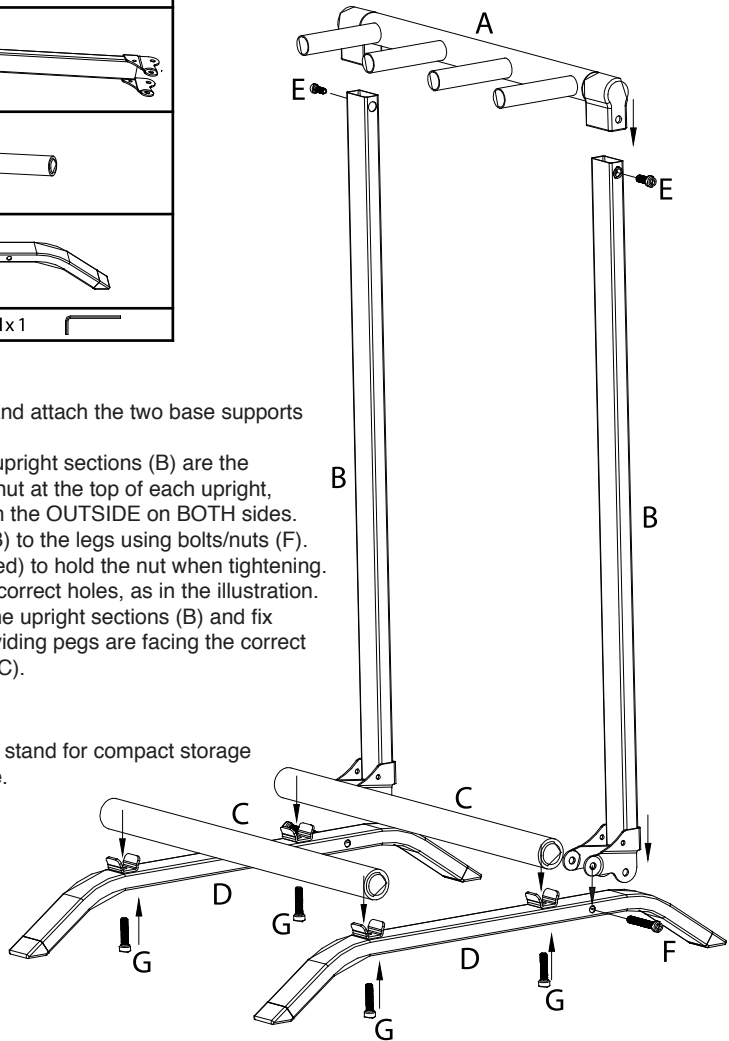
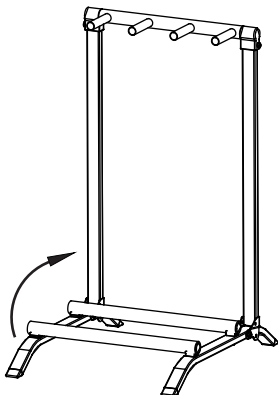
Contents			
			
A x 1			
			
B x 2			
			
C x 2			
			
D x 2			
E x 2	F x 2 <small>10mm Nuts</small>	G x 4	H x 1

### Assembly Instructions

1. Take the two leg sections (D) and attach the two base supports (C) to them using bolts (G).
2. **IMPORTANT** - Make sure the upright sections (B) are the correct way around. The captive nut at the top of each upright, where bolt (E) goes, should be on the **OUTSIDE** on **BOTH** sides. Attach the two upright sections (B) to the legs using bolts/nuts (F). Use a 10mm spanner (not supplied) to hold the nut when tightening. Ensure the bolts are through the correct holes, as in the illustration.
3. Position (A) on to the tops of the upright sections (B) and fix using bolts (E). Make sure the dividing pegs are facing the correct way, towards the base supports (C).

### Transportation

Fold the base up to the top of the stand for compact storage and transportation. Unfold for use.



Worldwide Trade Distributors

**www.jhs.co.uk**

Kinsman is a registered trademark of John Hornby Skewes & Co. Ltd.

©2014 JHS & Co. Ltd.