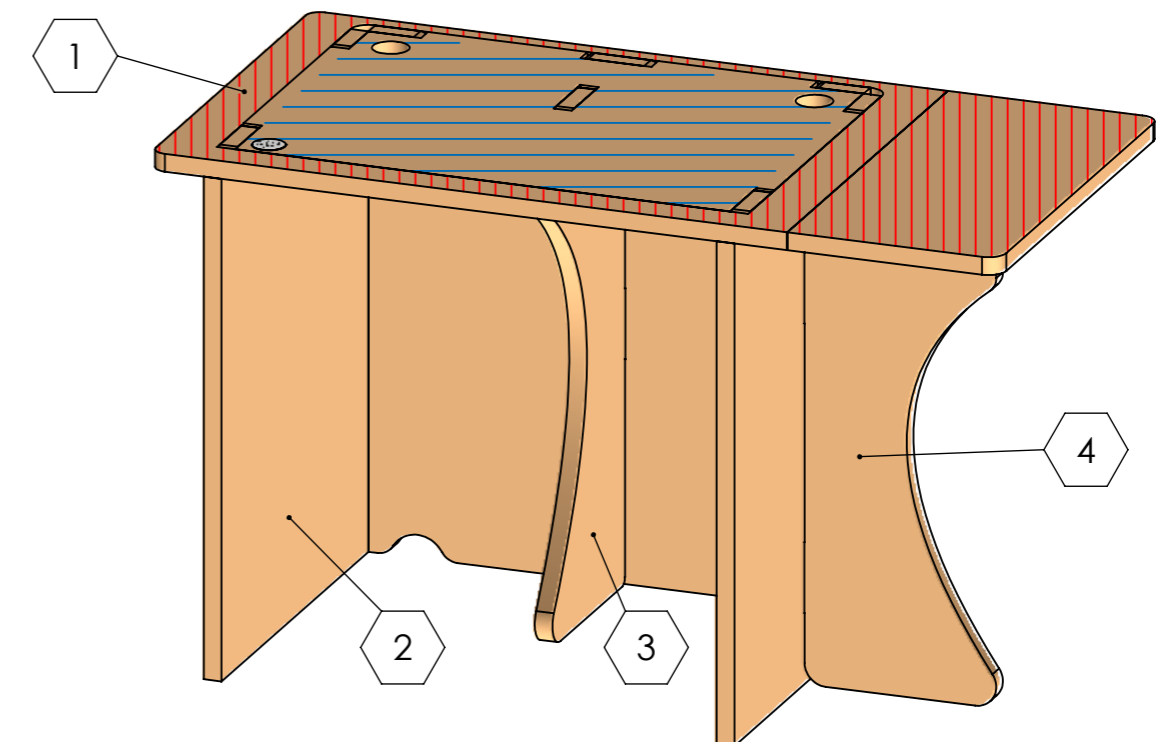
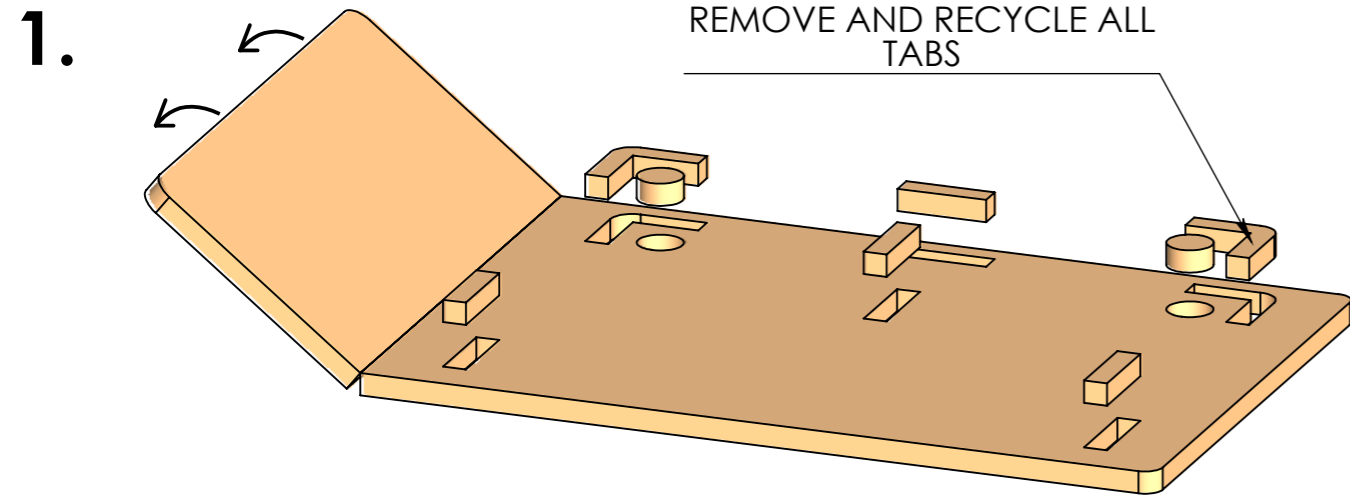
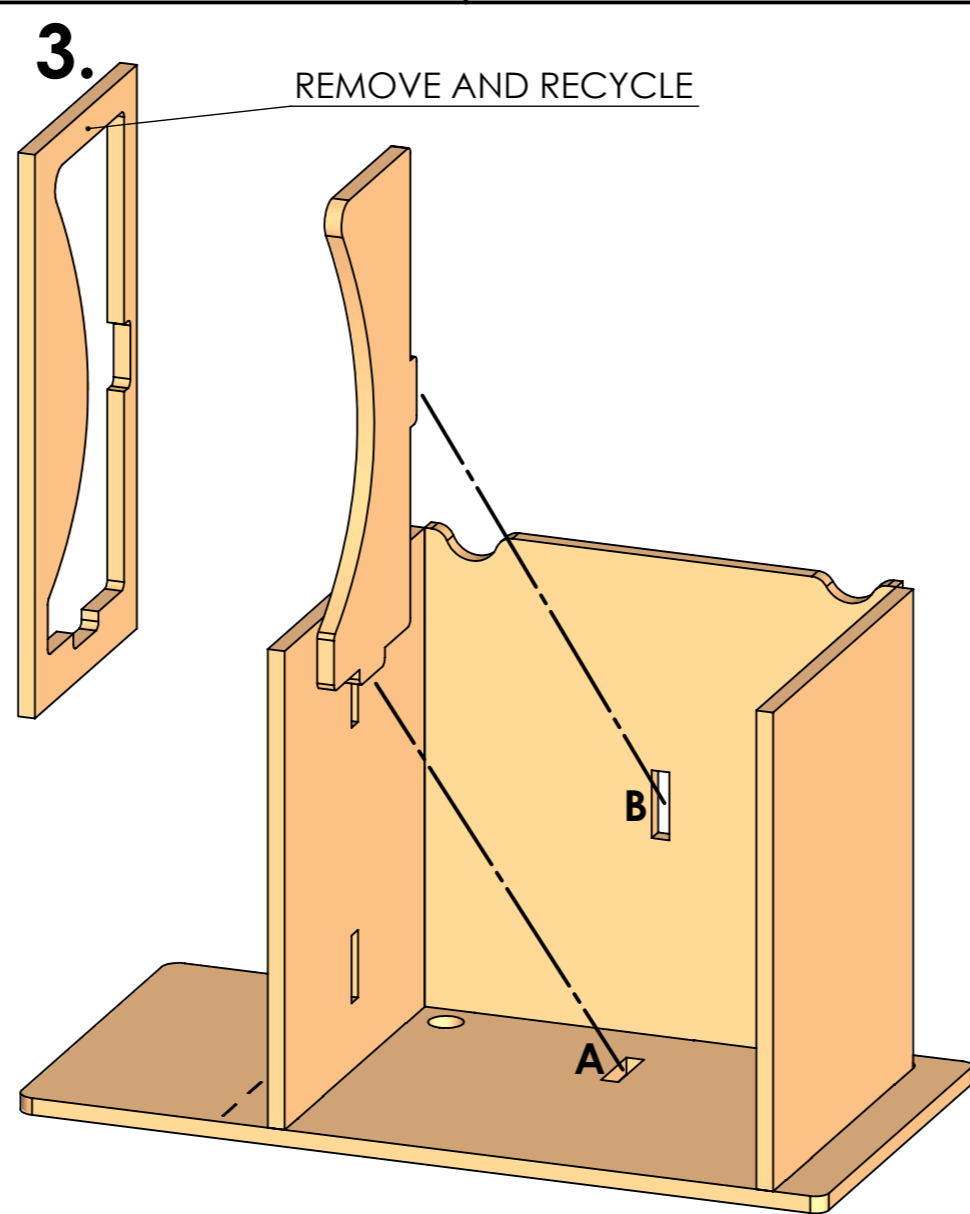
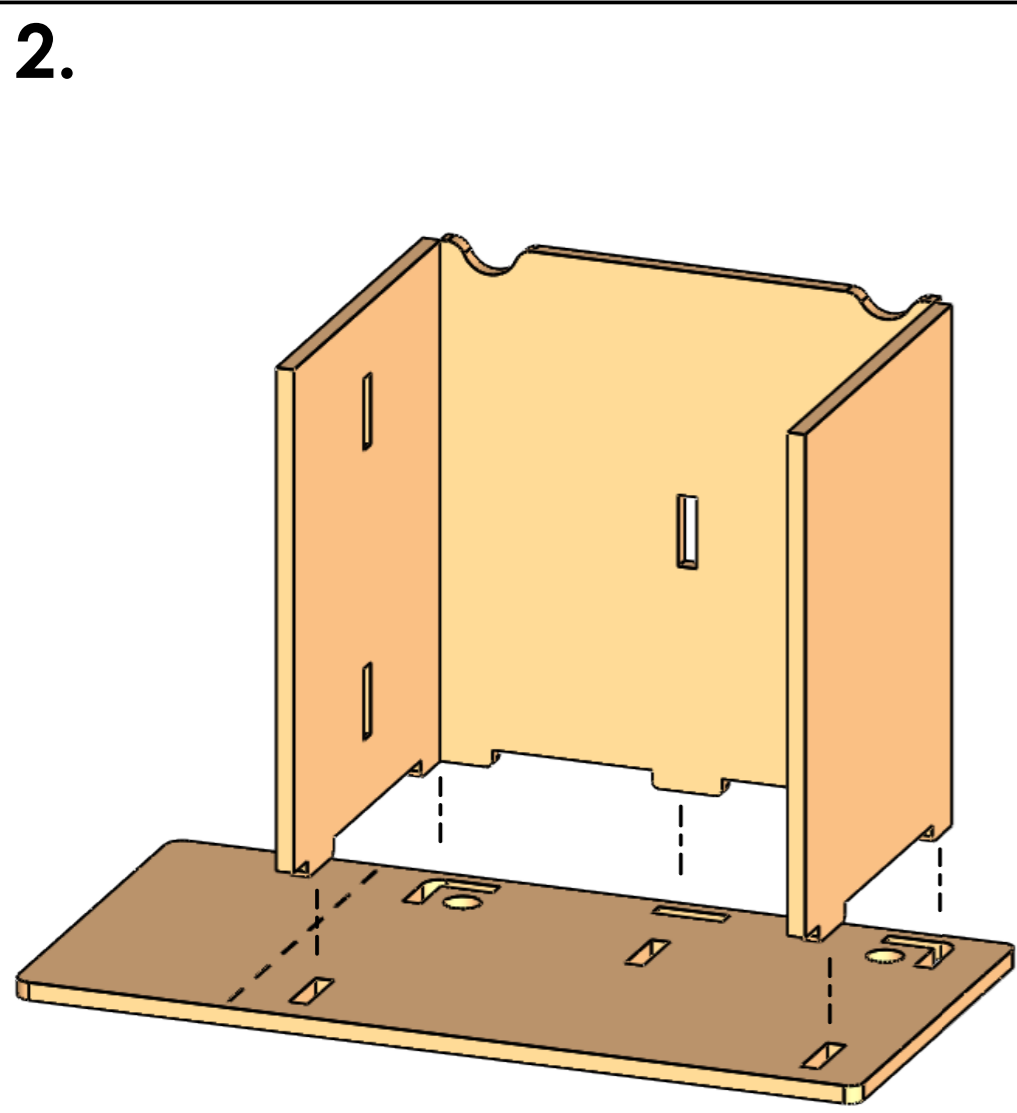


ITEM NO.	ITEM	QTY.
1	TOP	1
2	BASE	1
3	MAIN SUPPORT (1 SIDE TAB)	1
4	SIDE FOLD SUPPORT (2 SIDE TABS)	1

For more information, please contact us at, [hello@thepaperhive.co.uk](mailto:hello@thepaperhive.co.uk)  
or visit us at, [www.thepaperhive.co.uk](http://www.thepaperhive.co.uk)



**NO HEAVY ITEMS IN RED HATCHED AREA**  
**MAXIMUM LOAD IN BLUE HATCHED AREA, 50KG SPREAD LOAD**



NB Insert in an angle into 'A' first before pushing into 'B'

