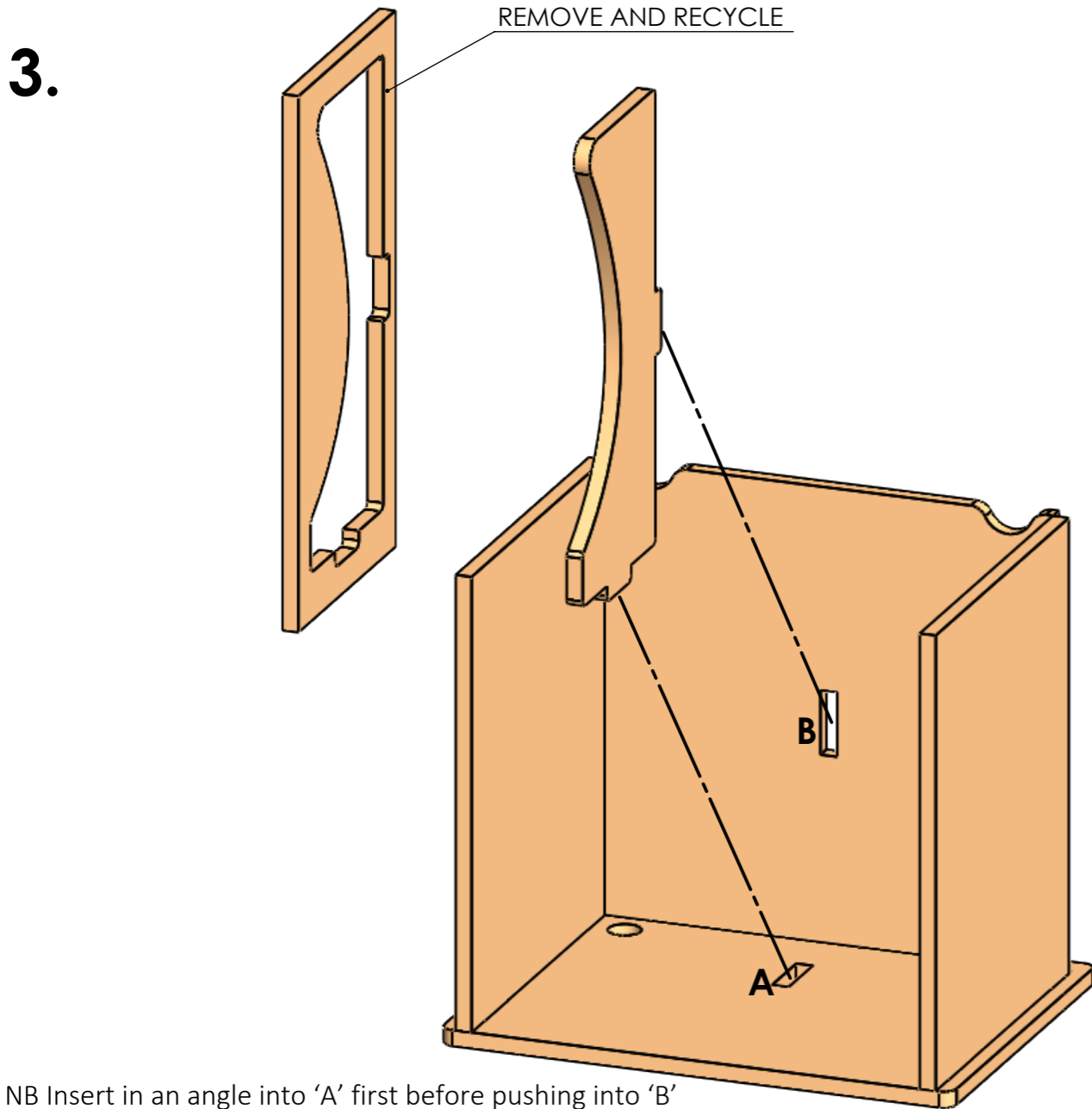
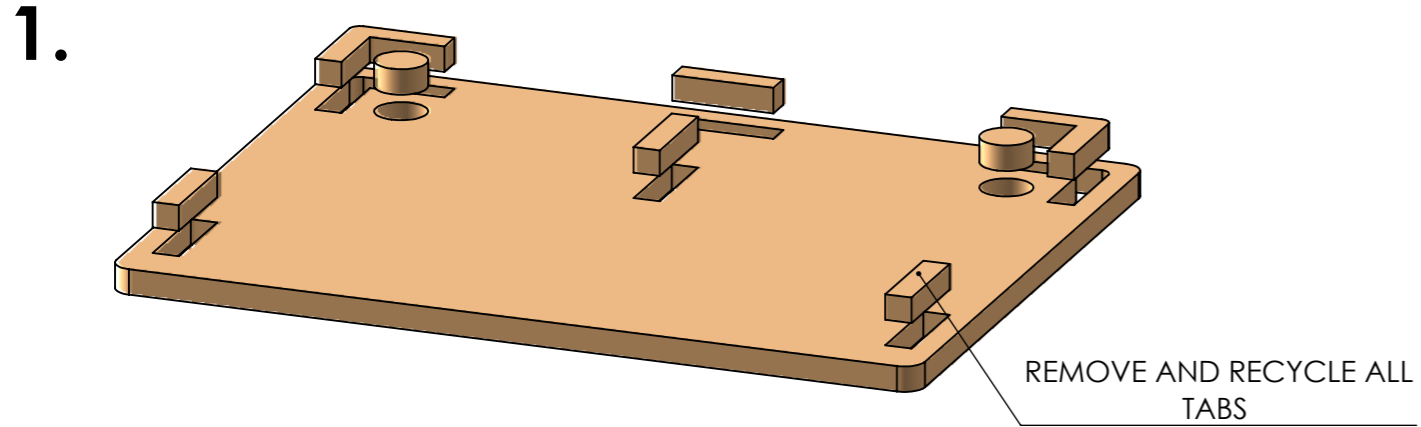


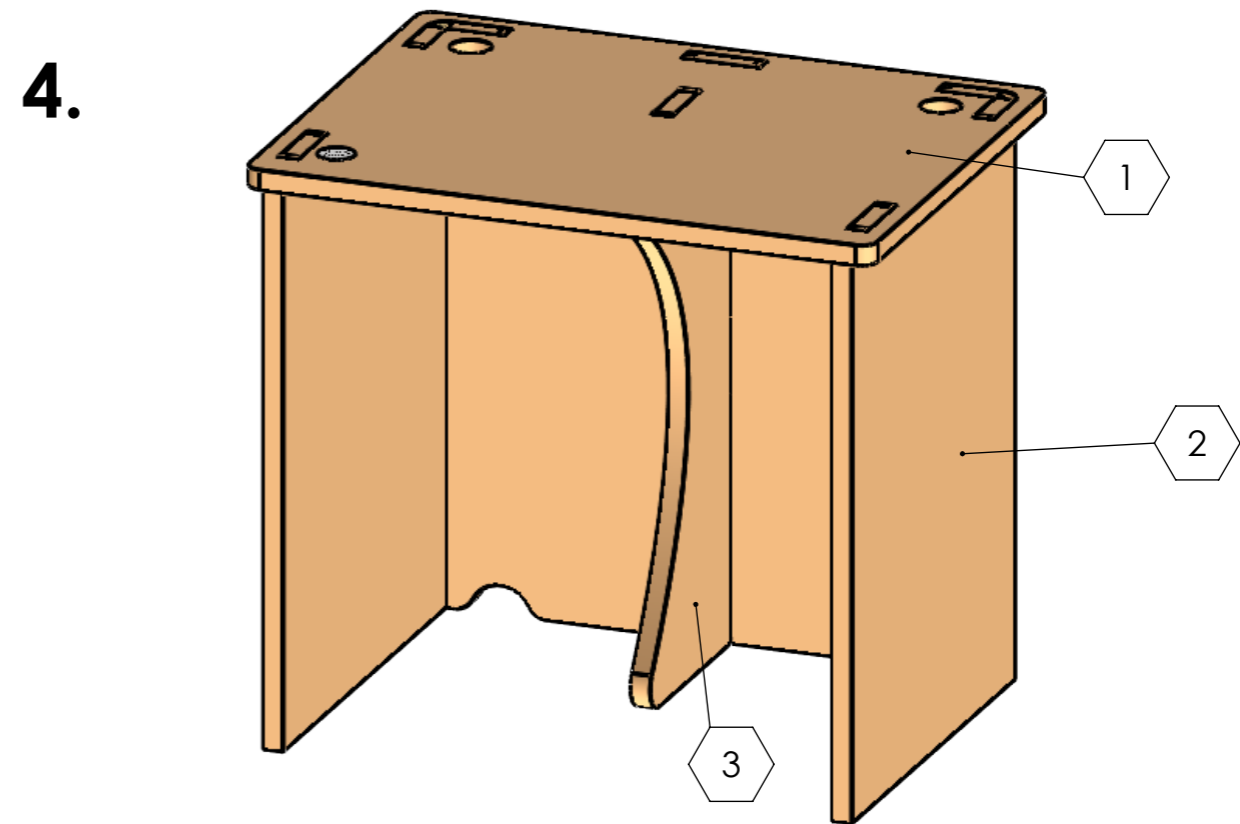
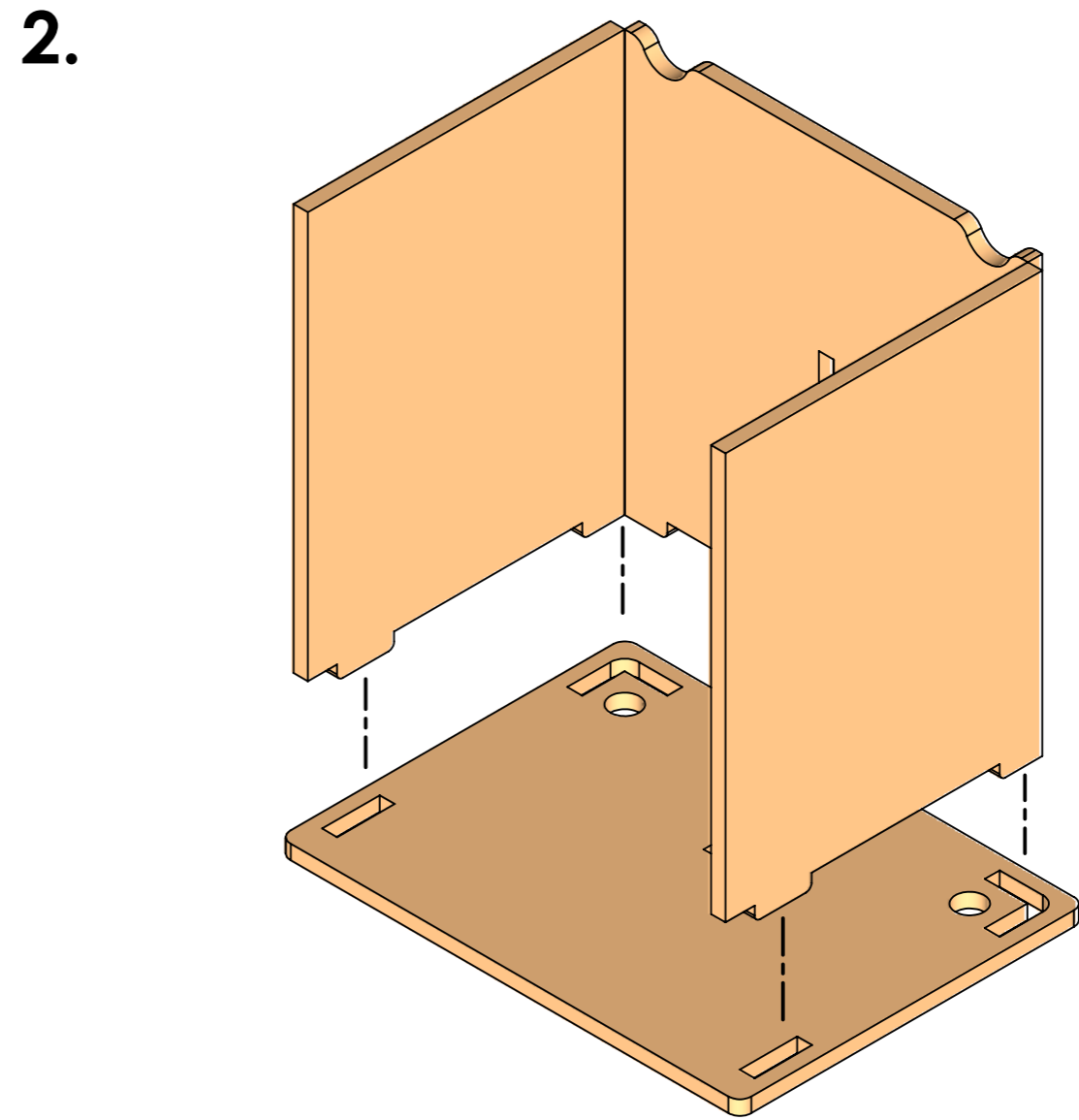
ITEM NO.	ITEM	QTY.
1	TOP	1
2	SLEEVE	1
3	MAIN SUPPORT (1 SIDE TAB)	1

For more information, please contact us at hello@thepaperhive.co.uk
or visit us at www.thepaperhive.co.uk

* NOT REQUIRED FOR 600mm (L) x 400mm (W) x 500mm (H) UNIT



NB Insert in an angle into 'A' first before pushing into 'B'



MAXIMUM LOAD, 50KG SPREAD LOAD