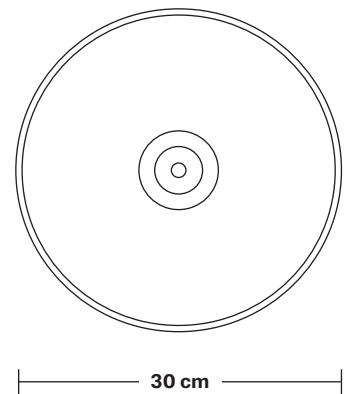
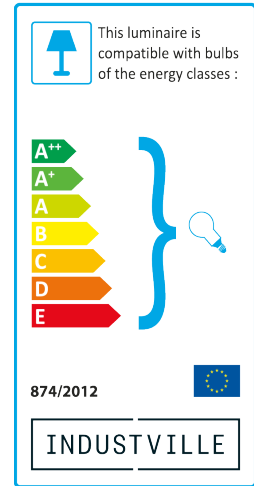
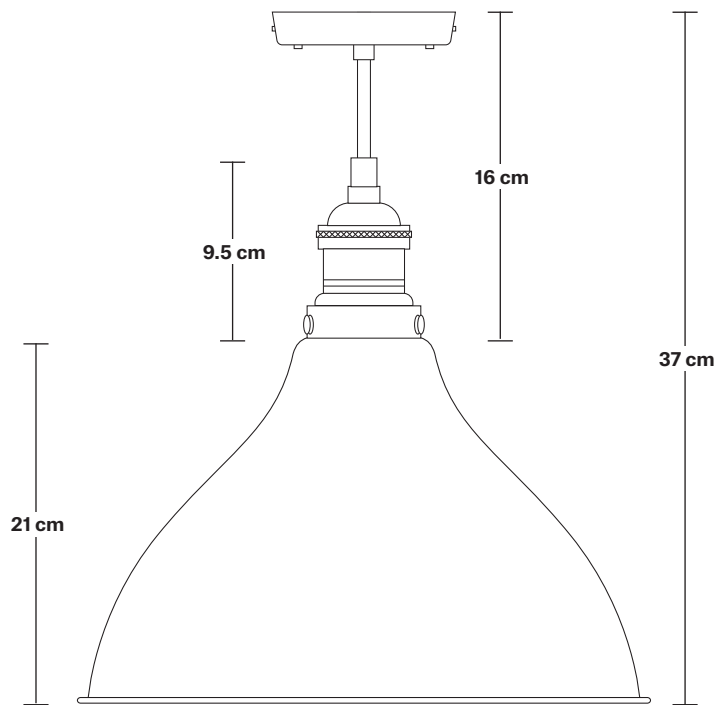


Brooklyn Cone Flush Mount - 12 Inch

Product Code: BR-CFM12

H: 30.5 cm x W: 30 cm x D: 30 cm



SPECIFICATIONS

We meet all UK and EU lighting and safety regulations.

Our products are hand finished to ensure an authentic vintage look and therefore they may vary slightly from those shown in the images.

Bulb required: Standard screw (E27) fitting, max 40W.

Shade weight: 0.85 kg | **Holder weight:** 0.5 kg

Maximum weight: 1.35 kg

INFORMATION

Finishes: Brass, Pewter and Copper.

Ready to be installed, installation required.

Wall mount screws not included.

Holders available: Brass, Pewter and Copper.

DIMENSIONS

Shade Diameter: 30 cm / 12"

Shade Height (no holder): 21 cm / 8.3"

Holder Diameter: 6 cm / 2.5"

Holder Height: 18 cm / 7.1"

Ceiling Rose Diameter: 12 cm / 4.9"

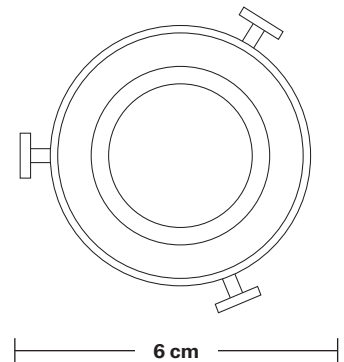
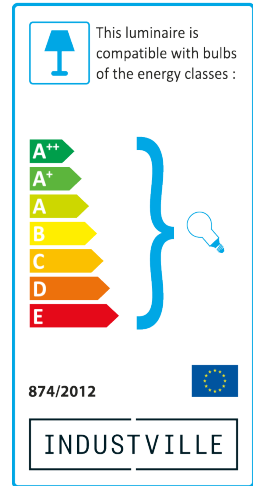
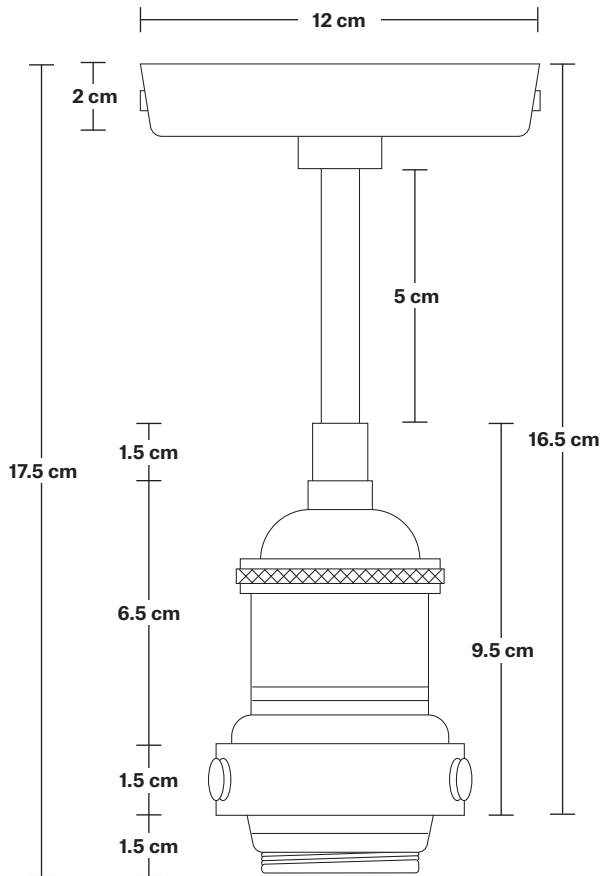
Ceiling Rose Height: 2 cm / 0.8"

INDUSTVILLE

Brooklyn Flush Mount Holder

Product Code: BR-FM

H: 17.5 cm x W: 12 cm x D: 12 cm



SPECIFICATIONS

We meet all UK and EU lighting and safety regulations.

Our products are hand finished to ensure an authentic vintage look and therefore they may vary slightly from those shown in the images.

Bulb required: Standard screw (E27) fitting, max 40W.

Weight: 0.5 kg

INFORMATION

Finishes: Brass, Pewter and Copper.

Ready to be installed, installation required.

Wall mount screws not included.

Ceiling rose: Pewter.

DIMENSIONS

Holder Diameter: 12 cm / 4.7"

Holder Height: 17.5 cm / 6.9"

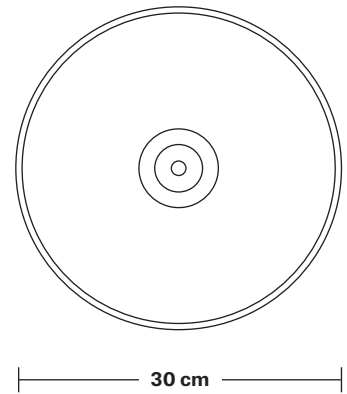
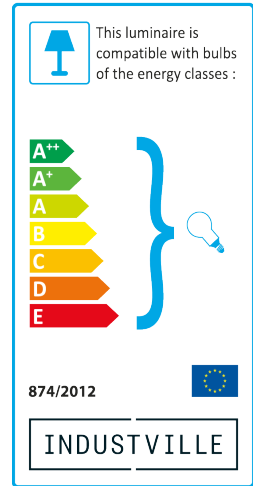
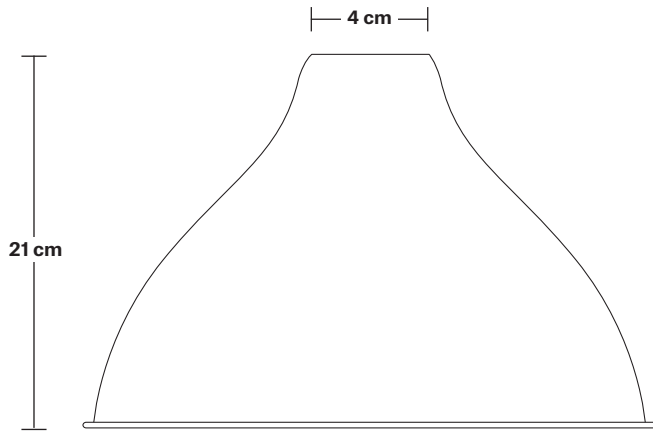
Ceiling Rose Diameter: 12 cm / 4.7"

Ceiling Rose Depth: 2 cm / 0.8"

Cone - 12 Inch - Shade Only

Product Code: C12-SO

H: 21 cm x W: 30 cm x D: 30 cm



SPECIFICATIONS

We meet all UK and EU lighting and safety regulations.

Our products are hand finished to ensure an authentic vintage look and therefore they may vary slightly from those shown in the images.

Bulb required: Standard screw (E27) fitting, max 40W.

Shade weight: 0.85 kg

INFORMATION

Finishes: Brass, Pewter and Copper.

Ready to be installed, installation required.

Wall mount screws not included.

DIMENSIONS

Shade Diameter: 30 cm / 12"

Shade Height (no holder): 21 cm / 8.3"

Cone - 12 Inch - Brass

Shade Only

Cone - 12 Inch - Brass - Shade Only	C12-B-SO
-------------------------------------	-----------------

Brooklyn Cone Pendant - 12 Inch - Brass

Brooklyn Cone Pendant - 12 Inch - Brass - Brass Holder	BR-CP12-B-BH
--	---------------------

Brooklyn Cone Pendant - 12 Inch - Brass - Pewter Holder	BR-CP12-B-PH
---	---------------------

Brooklyn Cone Pendant - 12 Inch - Brass - Pewter Chain Holder	BR-CP12-B-PCN
---	----------------------

Brooklyn Cone Flush Mount - 12 Inch - Brass

Brooklyn Cone Flush Mount - 12 Inch - Brass - Brass Holder	BR-CFM12-B-BH
--	----------------------

Brooklyn Cone Flush Mount - 12 Inch - Brass - Pewter Holder	BR-CFM12-B-PH
---	----------------------

Swan Neck Cone Wall Light - 12 Inch - Brass

Swan Neck Cone Wall Light - 12 Inch - Brass - Brass Holder	SN-CWL12-B-BH
--	----------------------

Sleek Cone Pendant - 12 Inch - Brass

Sleek Cone Pendant - 12 Inch - Brass - Brass Holder	SL-CP12-B-BH
---	---------------------

Sleek Cone Pendant - 12 Inch - Brass - Pewter Holder	SL-CP12-B-PH
--	---------------------
