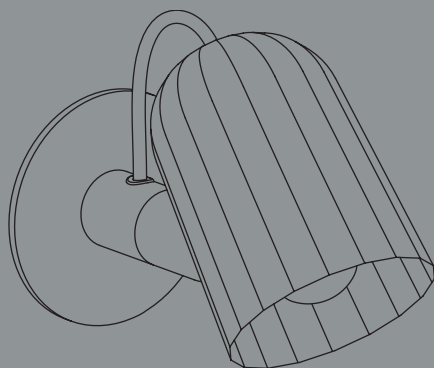


- INSTRUCTION MANUAL -

NOC WALL



DESIGN BY SMITHMATTHIAS

HAY

- GENERAL INFORMATION -

TECHNICAL DATA

This product is fitted with an E14 bulb fitting. HAY recommends using this product with a LED bulb.

FITTING TYPE | LED E14

POWER (W) | 5,5W

COLOUR TEMPERATURE | Warm white

HAY will not accept any responsibility for any accidents, injuries or damages that occur due to the use of incorrect bulbs.

ATTENTION

Ensure that the power supply to the circuit has clearly been turned OFF before installing the product. In some countries, electrical installation must be carried out by authorised electricians/contractors; please check with your local authority for guidance.

As wall materials vary, screws for wall fixation are not included. For advice on a suitable screw system for your wall, contact your local specialised dealer. Wall fixing/hanging must be carried out by a qualified person, since wrong fixation may cause injury or damage.

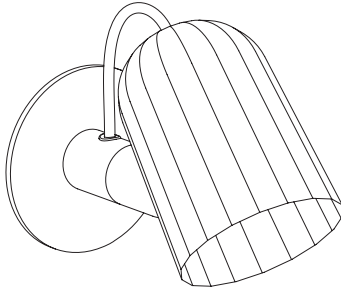
The product must not be modified in any way. HAY accepts no responsibility for any products that have been modified or tampered with. If the external flexible cable or cord of this luminaire is damaged, it should be exclusively replaced by a qualified electrician in order to avoid an electrical hazard. This lamp is designed for indoor use only.

CARE AND MAINTENANCE

The product can be cleaned with a soft damp cloth and mild detergent, or a dry microfibre cloth. Do not use alcohol or any other solvents to clean the product and avoid using abrasive or rough sponges. Ensure that the power supply has been turned OFF before cleaning the product.



- PARTS -



Lamp



Mounting plate



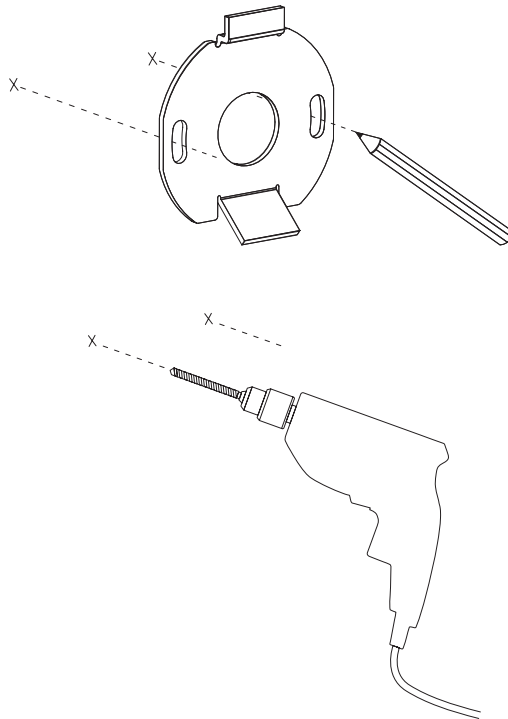
1 x screw



UK converter

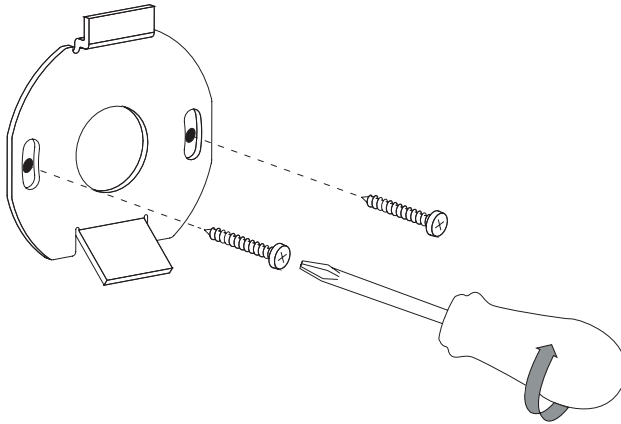
1.

Unpack all the parts and check that you have received all the parts listed. Using the mounting plate as a guide, mark the position of the holes to be drilled (50 mm apart). Drill the holes and insert wall plugs. Ensure you use the correct type of wall plug for the material you are drilling into.



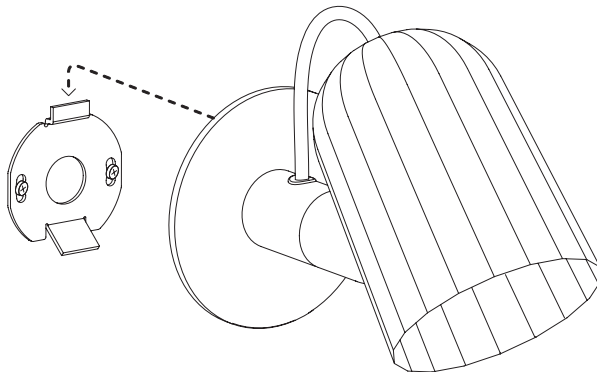
2.

Fix the mounting plate onto the wall, using the appropriate screws for the wall plugs used.



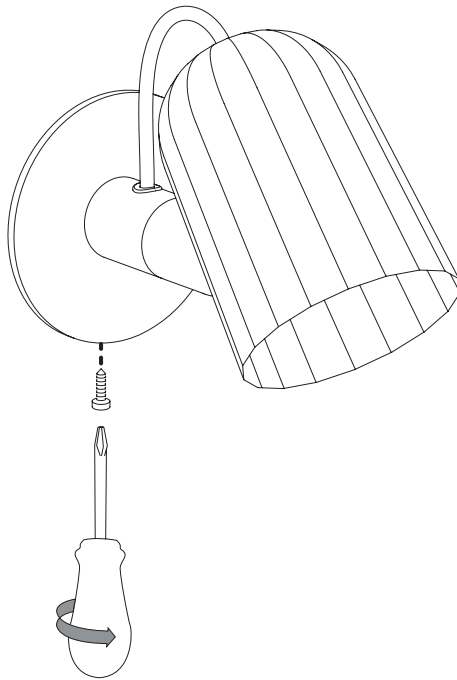
3.

Place the lamp over the mounting plate, ensuring it is properly positioned on the upper tab of the mounting plate.



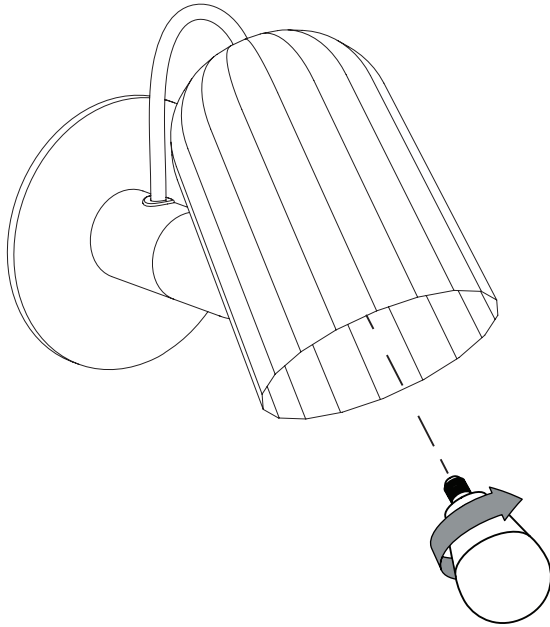
4.

Insert and tighten the screw at the bottom of the wall bracket to secure the lamp in place.



5.

Screw an E14 bulb into the bulb fitting.

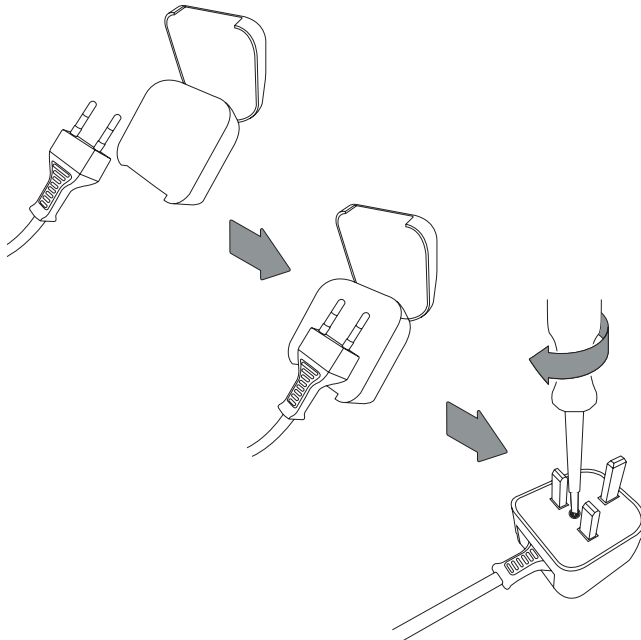


- UK CUSTOMERS ONLY -

Please note that for UK customers, the lamp will come supplied with a pre-mounted UK converter. The UK converter will be mounted over the existing EU plug, so the lamp is compatible and ready for use with UK sockets.

If not pre-mounted, please follow the below instruction.

Insert the EU plug into the converter provided. Close the converter over the EU plug with the pins secured in the internal spring clip contacts. Screw the converter together to ensure the UK plug is secure.



- CARE & MAINTENANCE -

Our Care & Maintenance offers guidance for optimal maintenance of your HAY product. It includes advice and instructions on cleaning and caring for specific materials to prolong the life of your lighting.



Please find our Care & Maintenance guide by scanning the QR code



You can find more relevant information on Noc Wall by scanning the QR code

You can also find the same information here
hay.dk/downloads

Havnen 3 8700 Horsens Denmark
+45 3164 6000 / hay@hay.com

www.hay.com

05/09/2023

HAY