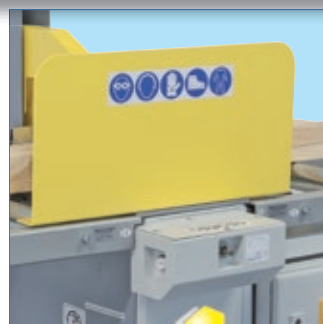




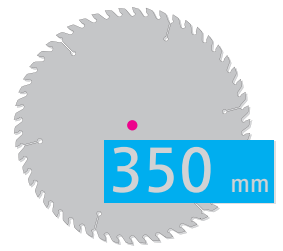
UTK



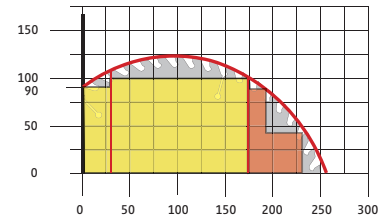
Cross cut saws



## UTK 350

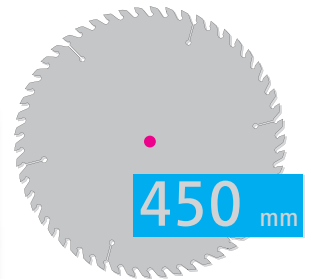


Cutting diagram

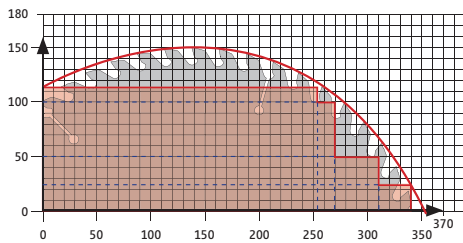


A	45	60	90	100	A B
B	230	210	180	125	

## UTK 450



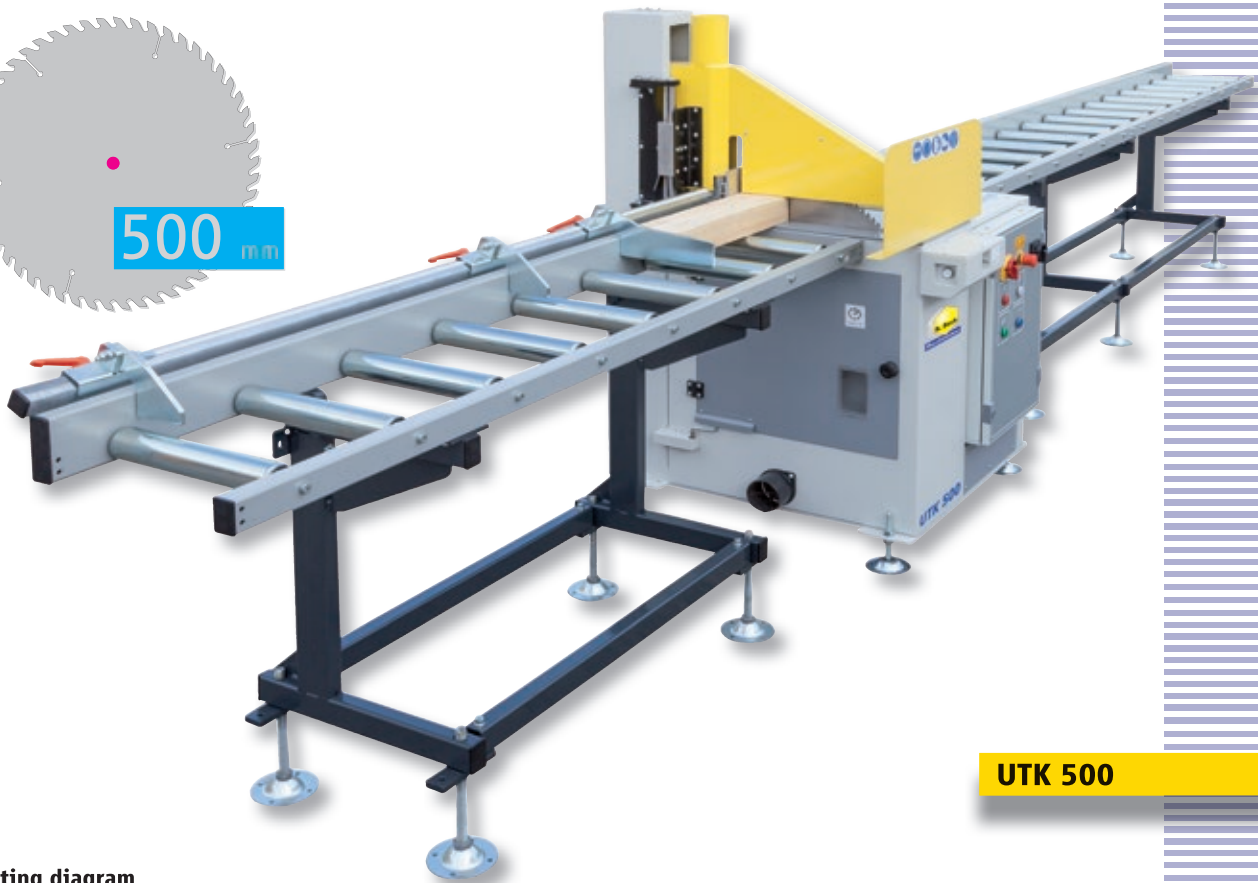
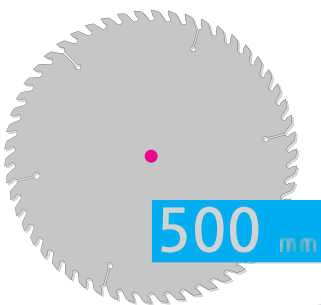
Cutting diagram



A	25	50	100	115	A B
B	340	320	280	260	

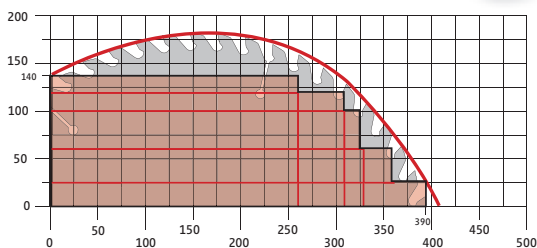
**4 models - different cutting areas - adjusted machine outputs - many options Beck's cross cut saws permit individual coordination with different uses**

- Machine body in stable welded steel construction
- Bilaterally robust saw unit suspension
- Large door in the machine body, opening far, for simple saw blade change
- Pneumatic drive for the saw stroke
- Lifting cylinder with automatic end position dampening (shock absorber)
- Saw blade cut trigger via two-hand safety switch
- Speed of the saw blade infeed can be adjusted gradually
- Automatic fastening of the work piece at every cut
- Safe and fatigue-free shortening of the work pieces, even in permanent operation
- Full protection hood for complete covering of the processing unit (optional)
- Protective shield before saw blade
- Sawing via pneumatic feed unit - no manual pulling as in usual chop saws
- Saw blade will automatically dip below the saw table after each saw cut
- Supply and stop roller tracks with various stop systems for safe material support and perfect cuts
- Electrical switching via cam shaft switches with star/triangular start-up
- Replaceable wear rails of aluminium in the saw blade area



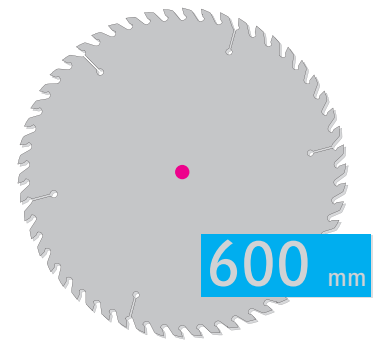
**UTK 500**

**Cutting diagram**

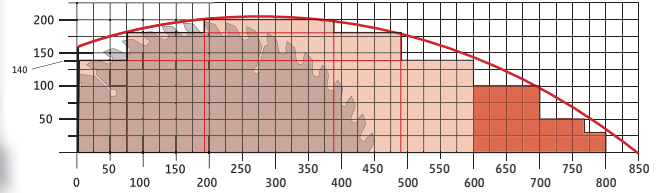


A	25	60	100	115	140	A B
B	390	360	325	310	270	

## UTK 600



Cutting diagram



A	30	50	140	180	200	A
B	800	765	600	340	200	B

## UTK 600 Special models

The cross cut saw UTK 600 had been optimized with the necessary accessory elements for this special purpose.

The metal tubes to be cut-to-length are fixed securely in a special mount during each cut. Both EXAKT roller tracks are equipped with a coverage which is easy to handle.

Operation is possible by a centrally placed control panel.



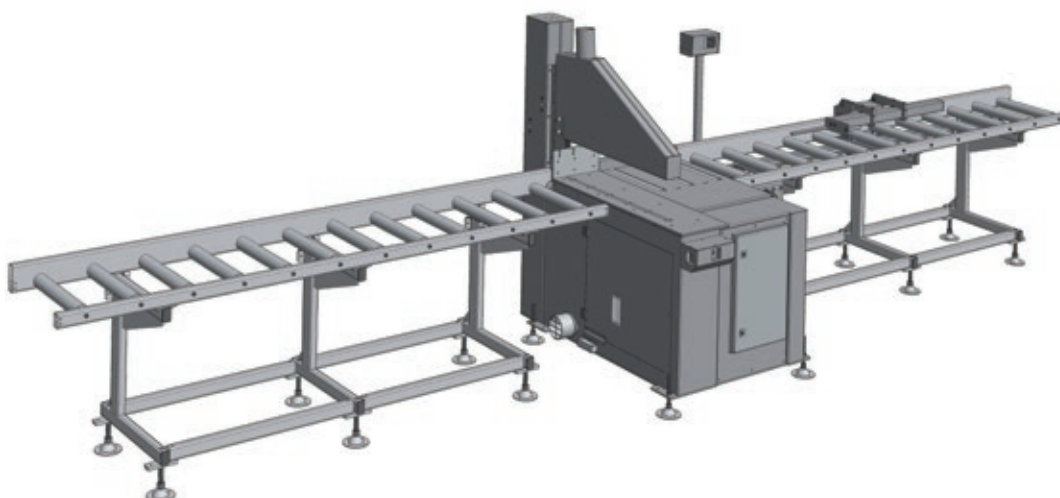
## Cross cut saws

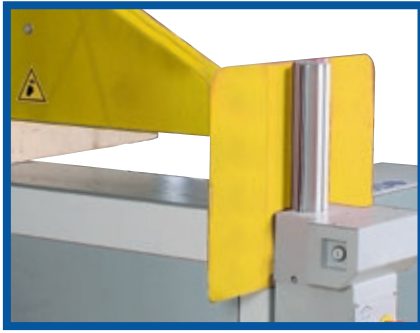


Economic and secure working processes at cross cut saws require the matching length stop systems with modern roller and measuring tracks.  
This increases productivity, is expected by the employers' liability insurance associations and mandatory in some areas.  
EXAKT roller and measuring tracks meet all the requirements posed and can be combined with any cross cut saw easily.



Manual or programmed control - EXAKT roller and measuring lanes ideally supplement undertable chop saws.  
Work takes place economically efficiently and safety. The result is just right - and exacting.





**Safety shield can be lowered pneumatically** (Option)  
Permits unhindered access to the workpiece.  
With integrated safety switch.



**Operating elements**  
The saw blade can be set into motion doubly secured must be operated with both hands.  
An adjusting screw regulates the saw blade feed.



**Protective hood**  
The saw blade is automatically covered by a stable cover during operation.

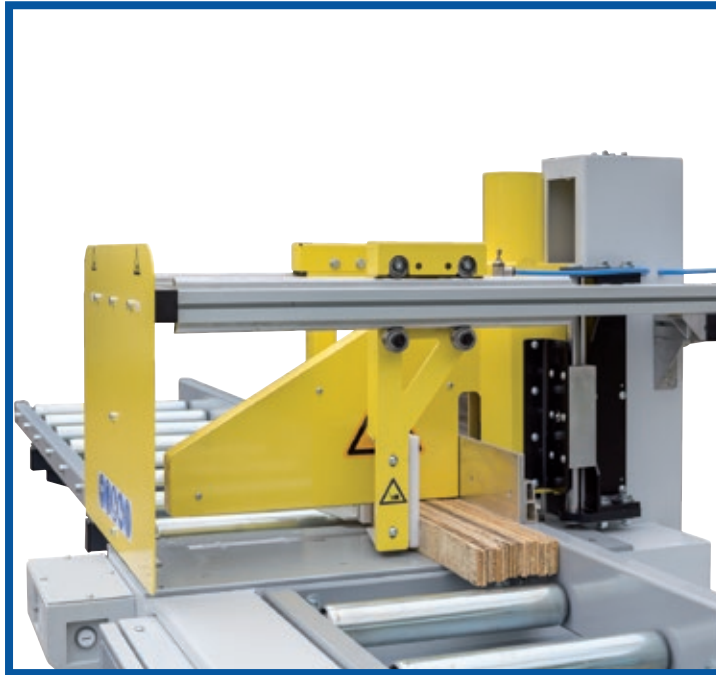


**Blank holder**  
The automatic blank holder holds the workpiece while sawing is in progress.



**Laser** (Option)

The practical laser shows the operator precisely the right path.



**Pneumatic horizontal clamp** (Option)

Fastens the workpiece not only vertically but also horizontally.



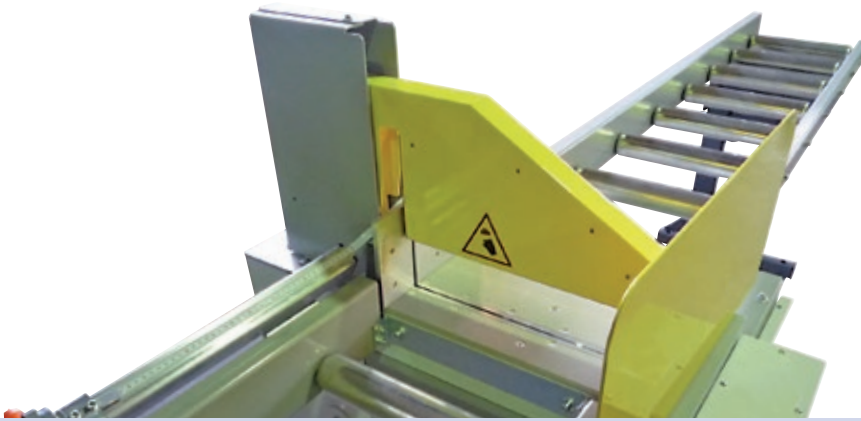
**Full protection hood** (Option)

For special tasks, Beck cross cut saws can be equipped with an additional saw protection.



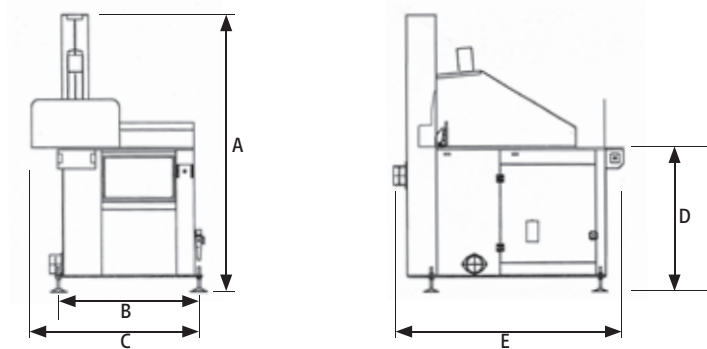
**Inclined machine table** (Option)

The construction slanted backwards by 10° causes the workpieces to slide to the stop elements more easily.



	<b>UTK 350</b>	<b>UTK 450</b>	<b>UTK 500</b>	<b>UTK 600</b>
• Cutting height max. mm	100	115	140	200
• Cutting width max. mm	230	340	390	800
• Saw blade diameter mm max.	350	450	500	600
• Saw blade holder mm	30	30	30	35
• Motor kW / PS	3 / 4	4 / 5.5	5.5 / 7.5	9.5 / 12.5
• Cutting time/ stroke sec.	1.5	3	3	4
• Speed at saw shaft rpm.	3800	2900	2800	2800
• Air consumption / cycle L approx.	5	8	8	20
• Extraction socket Ø mm	2 x 100	1 x 100 + 1 x 120	1 x 100 + 2 x 120	1 x 100 + 2 x 120
• Operating pressure bar	7 - 8	7 - 8	7 - 8	7 - 8
• Weight kg ca.	200	250	400	520
• Electr. voltage V / Hz	400 / 50-3-phase	400 / 50-3-phase	400 / 50-3-phase	400 / 50-3-phase
• Dimensions				
A	1300	1350	1550	1730
B	730	800	810	960
C	950	1000	1200	1150
D	900	920	950	900
E	820	920	1145*	1560**

Technical changes reserved.



Total depth of machines with pneumatic shield:

\* UTK 500 = 1335 mm

\*\*UTK 600 = 1660 mm

**UTK**