

# PANHANS

QUALITÄT SEIT 1918



680|100

680|200

690|100

690|200

V91|10

## SLIDING TABLE SAWS

MADE IN GERMANY

**HO|KU|BE|MA Maschinenbau GmbH**  
Graf-Stauffenberg-Kaserne Sigmaringen  
Binger Straße 28 | Halle 120  
72488 Sigmaringen | Germany  
Phone: +49 (0)7571 755-0  
Fax: +49 (0)7571 755-222  
info@hokubema-panhans.de  
[www.PANHANS.de](http://www.PANHANS.de)  
[www.ichbinWOODPECKER.de](http://www.ichbinWOODPECKER.de)  
[www.HOKUBEMA.com](http://www.HOKUBEMA.com)



Managing Director: Reinhold Beck  
Operations Manager: Alexander Beck

Status: 03|2022

Subject to technical and optical changes.  
No liability for errors and altered images.



MADE IN GERMANY

**PANHANS**  
QUALITÄT SEIT 1918

**SIITEC**  
SICHERHEITSTECHNIK



# FOREWORD



REINHOLD BECK,  
MANAGING DIRECTOR  
(RIGHT IN THE PICTURE)  
ALEXANDER BECK,  
OPERATIONS MANAGER  
(LEFT IN THE PICTURE)

## THE FAMILY COMPANY WITH EXPERIENCE

HO|KU|BE|MA Maschinenbau GmbH is a family-owned company that develops and distributes reliable and innovative machines for PANHANS. As a competent specialist company, we offer a comprehensive range of services in the development and manufacture of machines and systems for wood, plastic and metal processing companies. Our traditional company combines many years of knowledge from professional activity with the most modern requirements of today and develops innovative solutions.

Equipped with the most modern machines, we guarantee the conscientious and high quality of our products. Decades of experience and expertise flow into every job. Our quality standards are extremely high in order to achieve the best possible product for you. In compliance with the test criteria, the solid German machine construction is produced in accordance with the regulations. As a successful medium-sized company, we manufacture high-quality machines

with precision „Made in Germany“ at our Sigmaringen site in Baden-Württemberg.

With our machines, we not only want to satisfy you as a customer, but also to make you enjoy working with products from HO|KU|BE|MA. For us, service means that you as a customer are satisfied and can get the information you need in different ways at any time. Sometimes the service by phone, mail or WhatsApp is not enough. In this case we are also happy to offer you our on-site service. A trained and competent service technician will assist you in your workshop. The on-site service also includes maintenance and repair work on the machines, if required. If required, the on-site service also includes maintenance and repair work on the machines.

**The longevity of your PANHANS machine is close to our hearts. We see ourselves not only as a service provider and supplier, but much more as the specialist partner at your side.**

REINHOLD BECK  
MANAGING DIRECTOR

ALEXANDER BECK  
OPERATIONS MANAGER

# SLIDING TABLE SAWS

## MACHINE OVERVIEW

As usual, the sliding table saw can shape wood, plastic or comparable materials. But sliding table saws from PANHANS makes this work easier with some interesting developments that makes the machines even safer, more economical and more user-friendly. A machine that not only combines the know-how of experienced PANHANS technicians but has been further developed according to the needs of experienced carpenters.

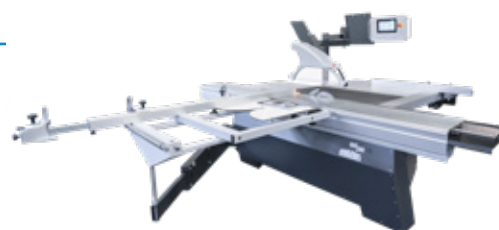


SLIDING TABLE SAW

**680|100**

**EQUIPMENT DETAILS**  
FROM PAGE 06

**OPTIONS + EXTENSIONS**  
FROM PAGE 07



SLIDING TABLE SAW

**680|200**

**EQUIPMENT DETAILS**  
FROM PAGE 12

**OPTIONS + EXTENSIONS**  
FROM PAGE 13



SLIDING TABLE SAW

**V91|10**

**EQUIPMENT DETAILS**  
FROM PAGE 30

**OPTIONS + EXTENSIONS**  
FROM PAGE 31



SLIDING TABLE SAW

**690|100**

**EQUIPMENT DETAILS**  
FROM PAGE 18

**OPTIONS + EXTENSIONS**  
FROM PAGE 19



SLIDING TABLE SAW

**690|200**

**EQUIPMENT DETAILS**  
FROM PAGE 24

**OPTIONS + EXTENSIONS**  
FROM PAGE 25

# 680|100



**MOTOR POWER**  
5.5 kW / 7.5 PS



**VOLTAGE**  
400 V / 50 Hz



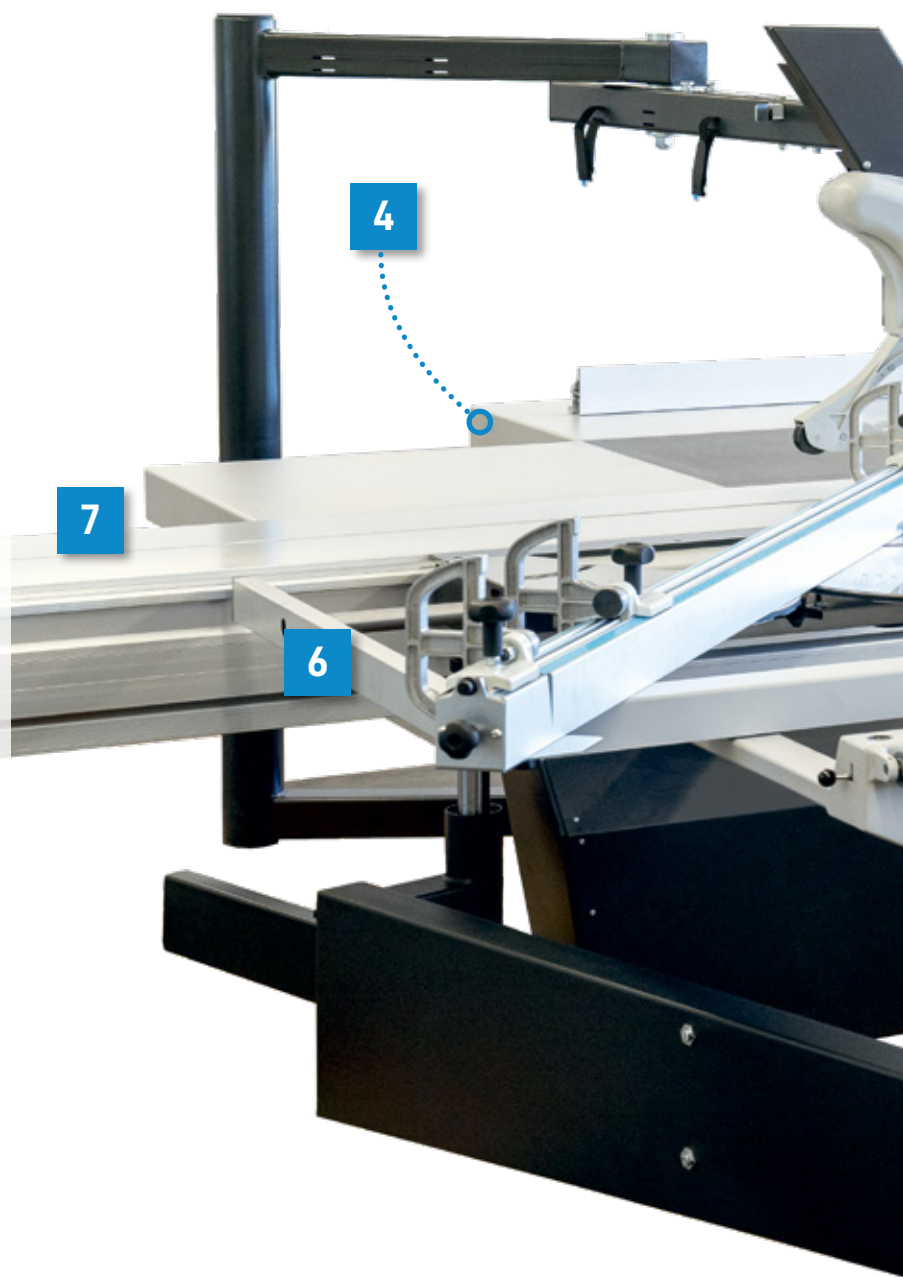
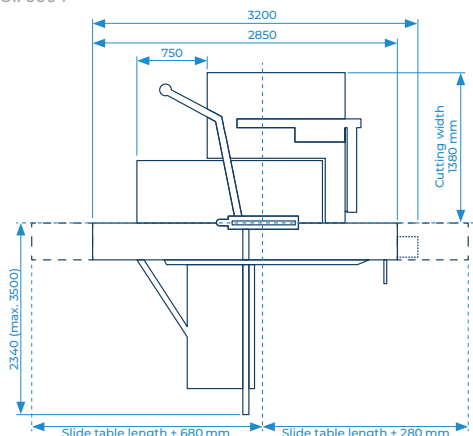
**SPACE REQUIREMENT**  
approx. 7000 x 3500 mm

A sliding table saw should be safe, economical and user-friendly. Thanks to the PANHANS expansion options, the customer is offered more than just a standard machine.

## TECHNICAL SPECIFICATIONS

Sliding table length	3200 mm
Cutting length	3400 mm
Cutting height max.	155 mm at 90° 105 mm at 46°
Rip fence capacity	1030 mm
Cross-cut fence, extendable on cross slide	3500 mm
Saw blade max.	∅ 450 mm
Angle / mitre fence	0° – 46°
Cast iron table top size	1200 x 655 mm
Table extension plus	750 x 655 mm
Table widening	1200 x 655 mm
Table height +/- 20 mm	900 mm
Saw blade tilt	0° – 46°
Main saw blade speed	3000 / 4000 / 5000 / 6000 rpm
Saw blade retractable under table	∅ 400 mm
Suction nozzles	∅ 120 mm / ∅ 80 mm
Net weight	approx. 1051 kg
APA saw blade quick clamping system	
Motorised height and tilt adjustment via touch button	
Double ball bearing mounted saw shaft for absolutely smooth running	
Digital indicators for angle / height / speed	
Push-button unit with electronic soft start (start/stop)	
Guard can be swivelled away to both sides	
Electronic, wear-free motor brake	

ART. NO.: 5504

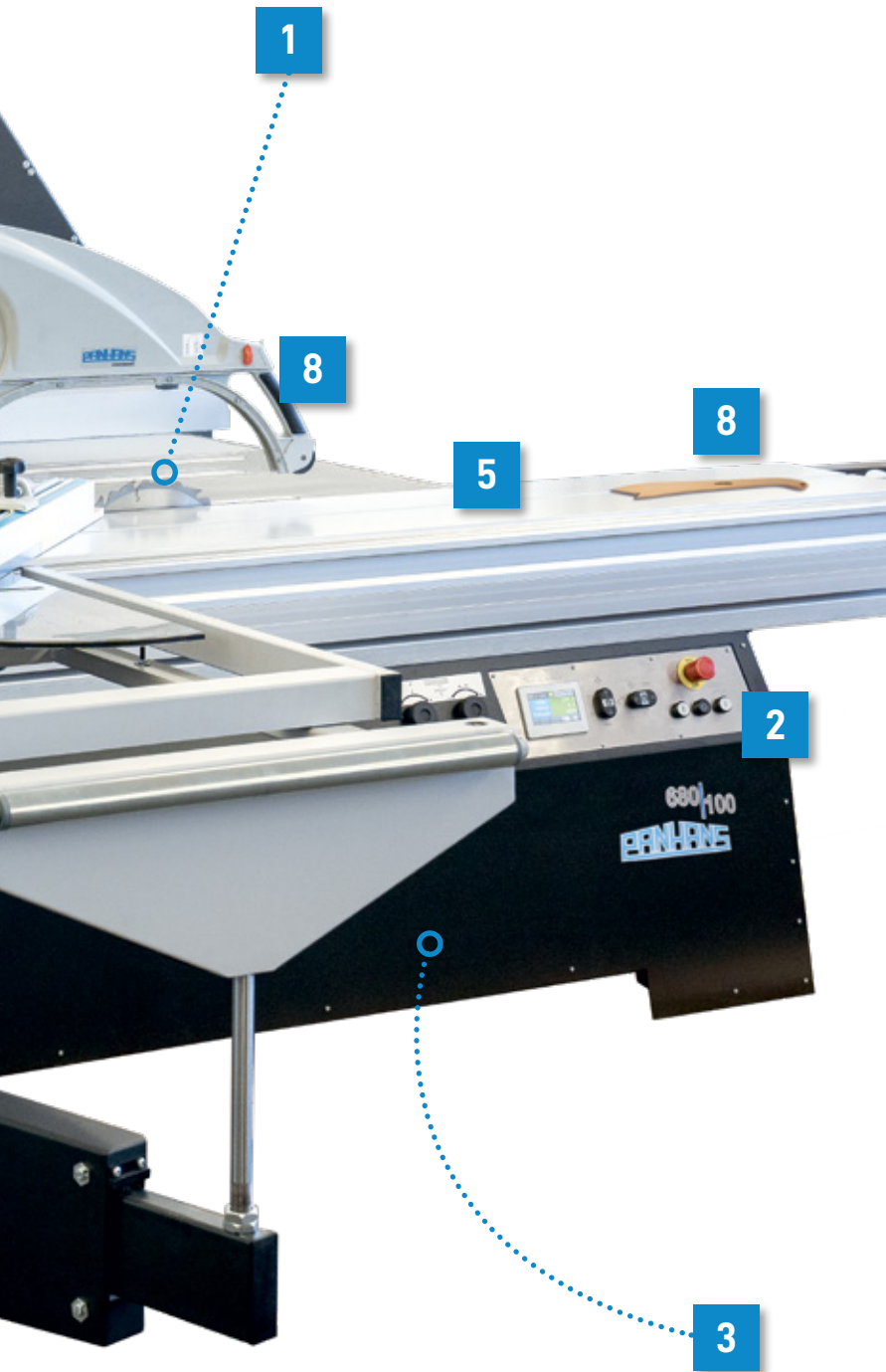





## HIGHLIGHT

### CROSS-CUT FENCE ON CROSS SLIDE WITH MM SCALE

The cross-cut fence can be used as an angle/mitre fence on both sides, with mechanical length adjustment from 0° to 46°.



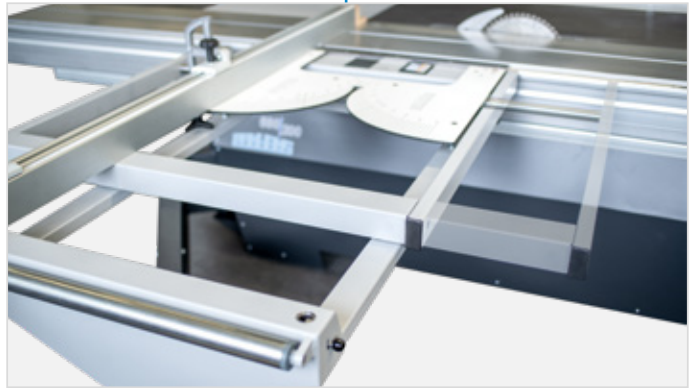
## FUNCTIONS

- 1 SAW BLADE TILT**  
The saw blade with a maximum diameter of up to 450 mm can be tilted from 0°–46°.
- 2 CONTROL PANEL**  
The sliding table saw is operated via the control panel on the machine body.
- 3 MACHINE BODY**  
The dimensionally stable and self-supporting machine body is a stable welded frame construction made of thick-walled steel profiles and laser-machined sheet steel parts and mechanically processed. The torsional rigid and finely planed cast iron table top is mounted on the machine body.
- 4 LATERAL EXTRACTION**  
The extraction unit has been moved sideways for better access and significantly more efficient extraction performance.
- 5 SAW SHAFT UNIT**  
The complete saw shaft unit is dynamically balanced. The double-guided swivel segments are made of grey cast iron. The double column guide for height adjustment as well as the long saw shaft with 2 ball bearings ensure absolutely smooth running.
- 6 CROSS SLIDE WIDENING**   
For large workpieces, the cross slide can be easily widened thanks to an extension system – a unique feature of PANHANS machines.
- 7 DOUBLE SLIDE TABLE**  
The double slide table is smooth-running and maintenance-free, thus ensuring precise and backlash-free running along its full length.
- 8 SI-TEC PRODUCT**  
Push stick made of solid wood. For safe guiding of narrow workpieces or circular saw feeding unit for safe cutting of laths, planks, window scantlings etc. You can purchase these conveniently at any time from our online shop: [www.hokubema.com](http://www.hokubema.com)

## EQUIPMENT DETAILS + OPTIONS: 680|100

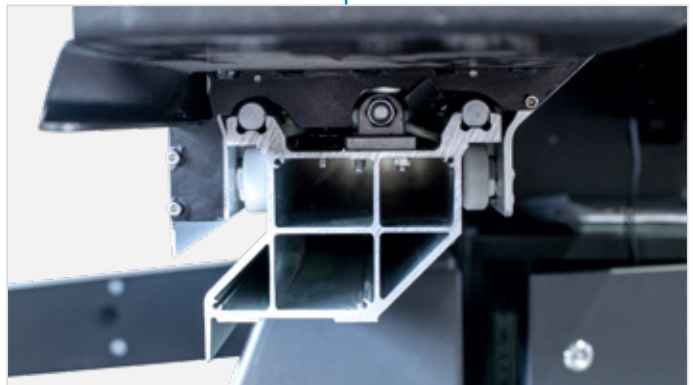
### WIDENABLE CROSS SLIDE

The cross slide can be widened considerably for large workpieces and angular cuts by extending the metal frame. The workpiece no longer has to be laboriously supported by hand.



### MAINTENANCE-FREE DOUBLE SLIDE TABLE

The super smooth-running double trolley runs precisely and can be locked infinitely at any position. The smooth running remains even after many years of load and dirt and is therefore absolutely maintenance-free.



### AUSZIEHBARER CROSS-CUT FENCE

The cross-cut fence on the cross slide is equipped with a mm scale and a telescopic extension up to 3500mm. When used as an angle / mitre fence, it can be used continuously from 0° to 46° with mechanical length compensation on both sides. All common mitre angles (15°, 22.5°, 30°, 45°) can be quickly locked in place by means of a fixing system. (Note: Photo includes optional cross-cut fence with digital display ART. NO.: 4759)



### OPTION:

#### MITRE FENCE DSG

For angular cuts from 0° to 90° on the sliding table. The DSG solves all tasks quickly and infinitely when making mitre cuts on narrow and short workpieces. Wrong mitres can be calculated and adjusted easily and quickly with the help of the additional factor scale.

ART. NO.: 5074, 5075



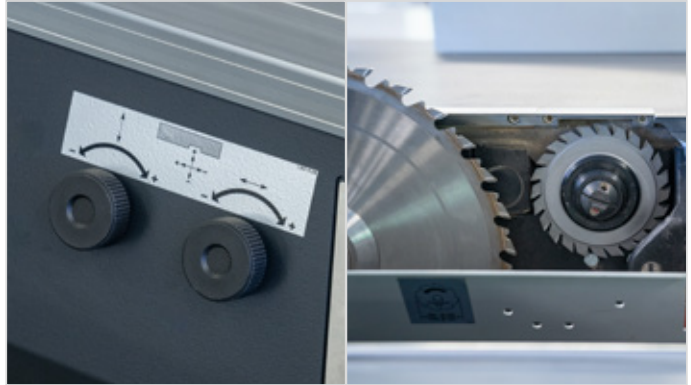


**OPTION:**

**SCORING UNIT 1750**

With manual height and side adjustment, with handwheels mounted on the machine front and with blade quick clamping system APA and a power of 0.55 kW/0.75 HP.

ART. NO.: 4078



**OPTION:**

**QUICKSTEP**

Tool-free manual adjustment of the scoring width from 2.8 to 3.8 mm by 0.05 mm grid adjustment, including a set of scoring saw blades. Adjustment to the main saw blade is quick and easy.

ART. NO.: 4550



**OPTION:**

**DIGIT-PAB (DIGITAL INDICATION ON THE RIP FENCE)**

Digital position indicator for the rip fence with switch-over function and dimensional offset. Fence profile can be used high or flat. The fence position is displayed digitally and clearly in the rotatable unit. Due to the absolute measuring system, the correct dimension is visible even after the fence has been swivelled away. Available for versions 680|100 and 690|100. ART. NO.: 4754, 4755, 4756



**OPTION:**

**OPERATION AT EYE LEVEL**

Control panel placed at eye level including a swivelling blade guard and comfort table widening. Useful when ripping large panels. Option for machine types 680|100 and 690|100.

ART. NO.: 4757, 4758



# OPTIONS + EXTENSIONS: 690|100

## ACCESSORIES AGGREGATE

### **THREE-PHASE MOTOR FOR THE MAIN SAW WITH 7.5 KW (10 HP)**

ART. NO. 4319  
Instead of 5.5 kW

### **SCORING UNIT 1750 0.55 KW (0.75 HP)**

ART. NO. 4078  
With manual height and side adjustment via externally mounted handwheels with blade quick-action clamping system APA

### **SCORING SYSTEM QUICKSTEP MANUAL SCORE ADJUSTMENT WITHOUT TOOLS**

ART. NO. 4550  
From 2.8 to 3.8 mm by grid adjustment of 0.05 mm per single step, incl. 1 set of saw blades 125 x 2.8 – 3.8 x 50 mm | Z = 12+12 for system Auto-EPS and 1750

## ACCESSORIES MACHINE OPERATION

### **CONTROL PANEL AT EYE-LEVEL, SWIVELLING**

ART. NO. 4757  
Instead of operation at the bottom of the machine body

### **TEMPLATE HOLDER ON THE CONTROL PANEL**

ART. NO. 4758  
Top mounted with magnetic holder (only in combination with 4757)

## ACCESSORIES FENCE SYSTEMS

### **RIP FENCE WITH CAPACITY 830 MM**

ART. NO. 4752  
To the right of the saw blade with fine adjustment, easy to adjust and fix manually via easy-to-read mm dimension scale on adjustable ruler support

### **DIGIT-PAB FOR CUTTING WIDTH 1280 MM**

ART. NO. 4756  
Digital wireless absolute measuring system (battery operated) for the rip fence, manual adjustment (only with 4753); with swivelling indicator on the fence, fine adjustment to 0.1 mm; no additional calibration is required, even if the fence has been swivelled under the table

### **RIP FENCE WITH CAPACITY 1280 MM**

ART. NO. 4753  
To the right of the saw blade with fine adjustment, easy to adjust and fix manually via easy-to-read mm dimension scale on adjustable ruler support

### **DOUBLE-SIDED MITRE FENCE DSG A ANALOGUE**

ART. NO. 5074  
For angle cuts 0°–90° on the double slide table, length and angle measurement adjustable via scale; for cutting lengths up to 1375 mm, with length compensation for preferred angles 5°, 10°, 15°, 22.5°, 30°, 45°, 60°, 67.5°, incl. splinter block, wall bracket and an additional factor different workpiece widths

### **LCROSS-CUT FENCE WITH DIGITAL INDICATORS ON THE FLIP STOPS**

ART. NO. 4759  
Ready mounted, adjustable to 0.1 mm (3 digital indicators), battery operated, length max. 3300 mm instead of standard scale

### **DOUBLE-SIDED MITRE FENCE DSG D DIGITAL**

ART. NO. 5075  
For angle cuts 0°–90° on the double slide table, length adjustable via scale, angle digitally adjustable; for cutting lengths up to 1375 mm with length compensation for preferred angles 5°, 10°, 15°, 22.5°, 30°, 45°, 60°, 67.5°, incl. splinter block, wall bracket and an additional factor scale for easy calculation of wrong mitres for different workpiece widths

### **DIGIT-PAB FOR CUTTING WIDTH 830 MM**

ART. NO. 4754  
Digital wireless absolute measuring system (battery operated) for the rip fence, manual adjustment (only with 4752); with swivelling indicator on the fence, fine adjustment to 0.1 mm; no additional calibration is required, even if the fence has been swivelled under the table

### **DIGIT-PAB FOR CUTTING WIDTH 1030 MM**

ART. NO. 4755  
Digital wireless absolute measuring system (battery operated) for the rip fence, manual adjustment; with swivelling indicator on the fence, fine adjustment to 0.1 mm; no additional calibration is required, even if the fence has been swivelled under the table

## ACCESSORIES SLIDE TABLE AND ADDITIONAL SUPPORTS



### CUTTING LENGTH OF SLIDE TABLE 2850 MM INSTEAD OF 3400 MM

ART. NO.  
4764

Slide table length 2600 mm



### CUTTING LENGTH OF SLIDE TABLE 4050 MM INSTEAD OF 3400 MM

ART. NO.  
4765

Slide table length 3800 mm



### ADDITIONAL CROSS SLIDE WITH FLOOR SUPPORT ROLLER

ART. NO.  
4785

Incl. mounting for standard cross-cut fence (without cross-cut fence), floor rail must be available on site

## ACCESSORIES SUPPORT SYSTEMS



### ADDITIONAL SUPPORT FOR LARGE PLATES

ART. NO.  
4786

Can be hooked on the slide table, length 500 mm



### SWIVEL TABLE SUPPORT WITH PLASTIC ROLLER

ART. NO.  
4768

Adjustable as table extension in the infeed or outfeed area, attached to the aluminium double slide table



### SWIVEL-AWAY DEVICE FOR THE CROSS SLIDE

ART. NO.  
4770

Quick ergonomic sliding into the parking position



### ADDITIONAL CORNER TABLE 750 X 400 MM FOR CUTTING WIDTH 800 MM

ART. NO.  
4772

As additional table support next to the standard table extension



### ADDITIONAL CORNER TABLE 750 X 600 MM FOR CUTTING WIDTH 1030 MM

ART. NO.  
4773

As additional table support next to the standard table extension



### ADDITIONAL CORNER TABLE 750 X 890 MM FOR CUTTING WIDTH 1280 MM

ART. NO.  
4774

As additional table support next to the standard table extension

## ACCESSORIES MISCELLANEOUS



### LASER INDICATOR FOR THE CUTTING KERF

ART. NO.  
4322

Mounted on the guard



### TOOL DRAWER

ART. NO.  
4771

Integrated in the table extension



### CIRCULAR SAW POWER FEEDER 76

ART. NO.  
2078

For mounting on the rip fence

## ACCESSORIES SERVICES



### INSTRUCTION BY FACTORY TECHNICIAN

ART. NO.  
4172

Or training at the Sigmaringen factory for the machine ordered, plus travel expenses if the instruction takes place at the customer's site



### WARRANTY PLUS+12

ART. NO.  
4259

12 months extended warranty (following the legal warranty period of 12 months), not on wear parts – warranty 1 year on parts



### MAINTENANCE AND INSPECTION

ART. NO.  
4175

Annual maintenance and inspection on site according to maintenance plan, spare parts are charged separately, plus travel expenses

# 680|200



Watch user video:  
<https://youtu.be/mj2ndOYxLEU>



**MOTOR POWER**  
 5.5 kW / 7.5 HP



**VOLTAGE**  
 400 V / 50 Hz



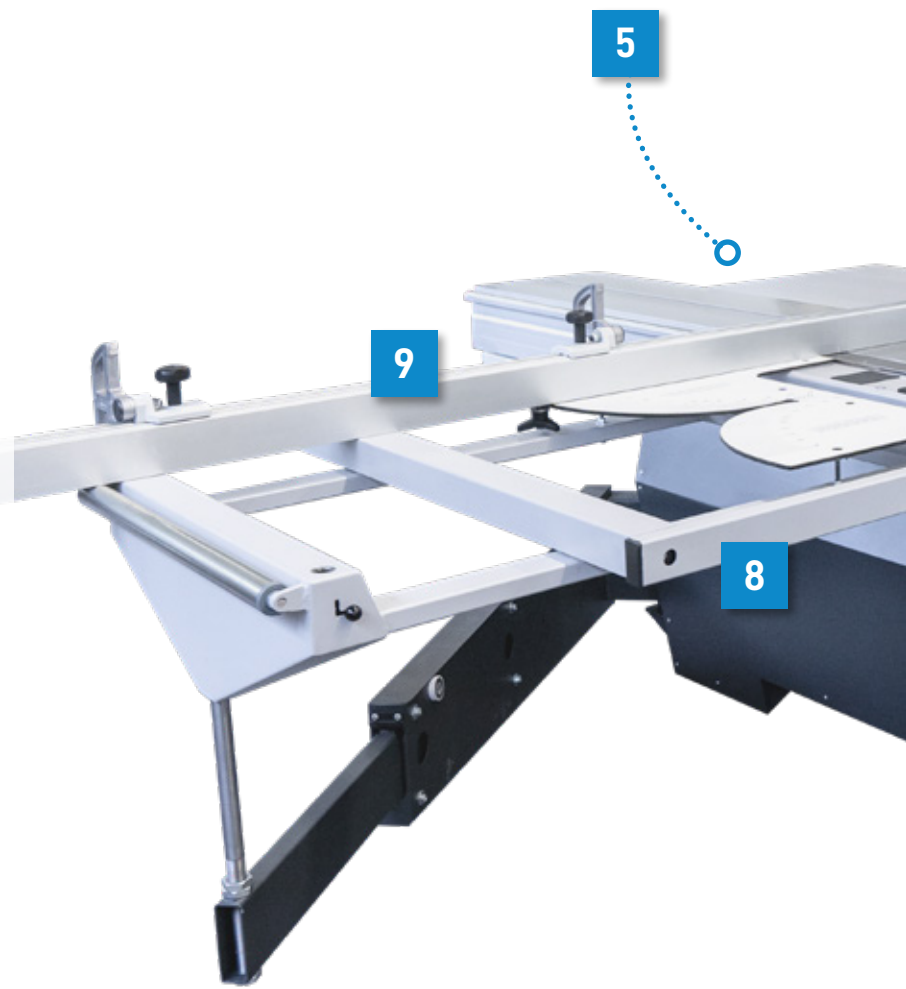
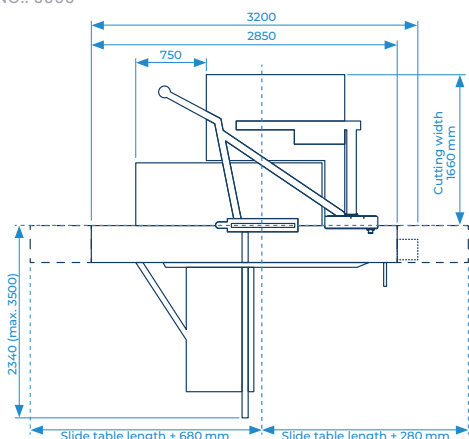
**SPACE REQUIREMENT**  
 approx. 7000 x 3500 mm

The sliding table saw model 680|200 is the absolute best choice for small and large joineries.

## TECHNICAL SPECIFICATIONS

Slide table length	3200 mm
Cutting length	3400 mm
Cutting height max.	155 mm at 90° 105 mm at 46°
Rip fence capacity	1250 mm
Cross-cut fence, extendable on cross slide	3500 mm
Saw blade max.	∅ 450 mm
Cast iron table top size	1200 x 655 mm
Table extension plus	750 x 655 mm
Table widening	1430 x 940 mm
Table height	900 mm
Saw blade tilt	0° – 46°
Main saw blade speed	3000 / 4000 / 5000 / 6000 rpm
Saw blade retractable under table	∅ 400 mm
Angle / mitre fence	0° – 46°
Suction nozzles	∅ 120 mm / ∅ 80 mm
Net weight	approx. 1150 kg
APA saw blade quick clamping system	
Motorised height and tilt adjustment via positioning control	
Double ball bearing mounted saw shaft for absolutely smooth running	
Digital indicators for angle / height / speed / cutting width	
Push-button control with electric soft start (start/stop)	
Guard can be swivelled away to both sides	
Electronic, wear-free motor brake	

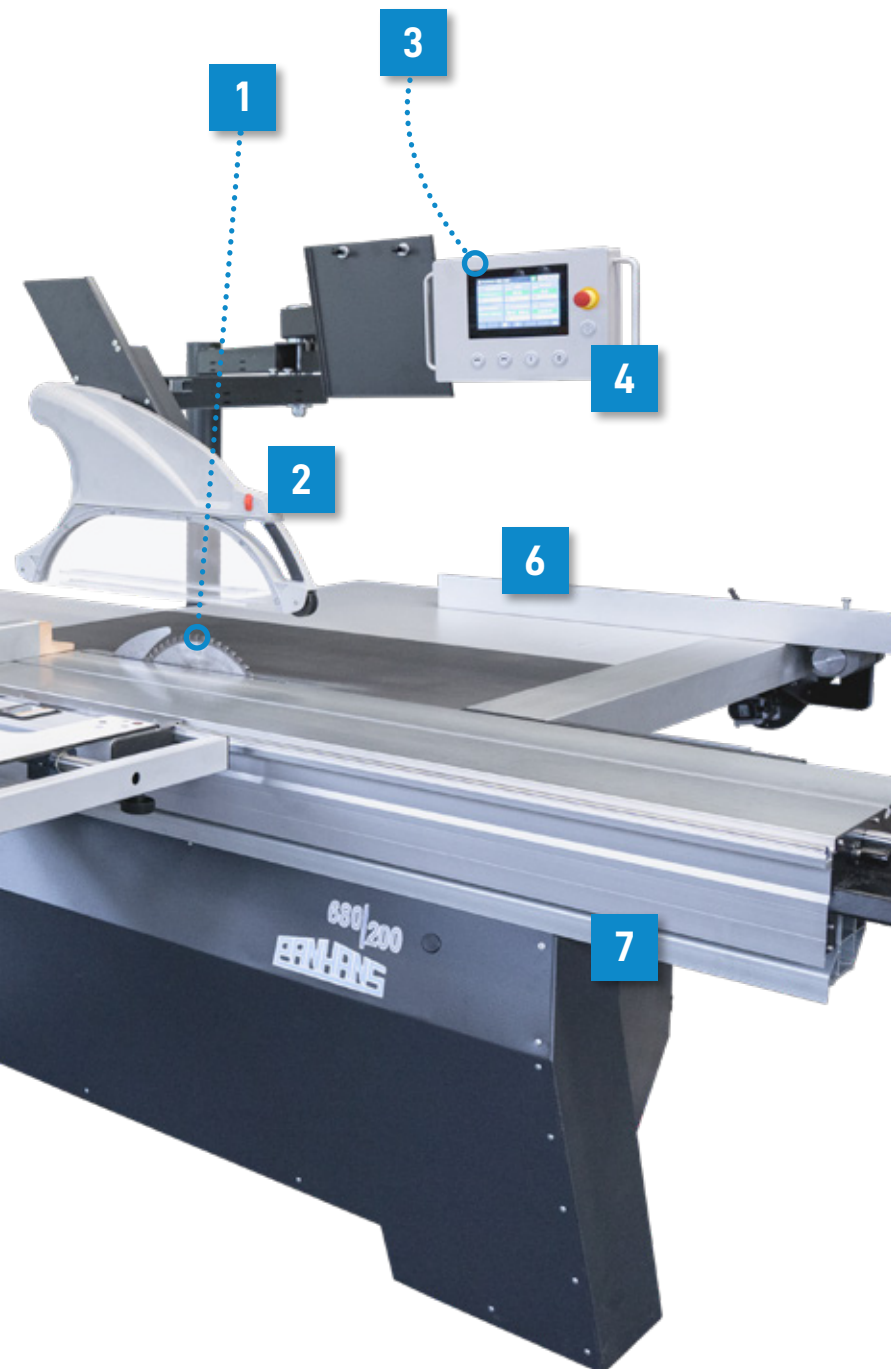
ART. NO.: 5505




## HIGHLIGHT

### COMPLETELY REDESIGNED STAND AND SLIDE TABLE

With our new type 680I200, the predecessor model has been adapted to today's standard. In addition to the completely new machine stand and the smooth-running trolley, the extraction ports have also been rethought and repositioned.



## FUNCTIONS

- 1 SAW BLADE TILTING**  
The saw blade with a maximum diameter of up to 450 mm can be tilted from 0°– 46°.
- 2 SAW BLADE GUARD**  
Suction bonnet with interchangeable wide/narrow insert and can be swivelled out of the way on both sides.
- 3 7" TOUCHSCREEN CONTROL**  
Capacitive touchscreen (scratch and shock resistant). Can also be controlled with gloves. With language switch in German, English, French and Dutch (other languages on request).
- 4 DIGITAL SETTINGS**  
Both height and tilt (from 0°– 46°) can be adjusted electronically via the touchscreen control. The rip fence and the scoring are also electronically controlled.
- 5 LATERAL EXTRACTION**  
The extraction port has been moved to the side to achieve a much more efficient extraction performance.
- 6 RIP FENCE**  
The rip fence can be electrically controlled to the exact position required.
- 7 DOUBLE SLIDE TABLE**  
Smooth-running double slide table for precise running.
- 8 CROSS SLIDE EXTENSION**   
For large workpieces, the cross slide can be easily widened thanks to an extension system – a unique feature of PANHANS machines.
- 9 CROSS-CUT FENCE**  
Cross-cut fence extendable up to 3500 mm and usable on both sides as angular mitre fence with length compensation.



## EQUIPMENT DETAILS + OPTIONS: 680|200

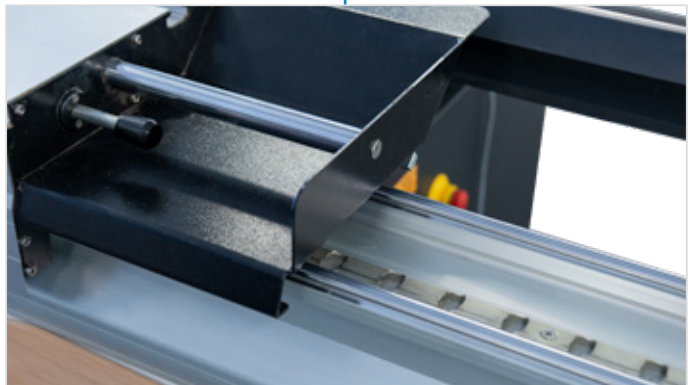
### ELECTRICALLY DRIVEN RIP FENCE WITH BALL SCREW

The digitally adjustable rip fence is electrically driven via a ball screw and can be moved from its initial position to any position via the 7" touch screen without having to walk around the machine. The fence can be folded away in the parking position.



### REMOTE LOCKING WITH 50 MM GRID

Locks the upper slide table in the far right loading position. This makes it easy to align large panels on the machine. Remote locking for sliding table saws 680|100 and 680|200.



### ADDITIONAL TOOL ANGLE CALCULATION

By entering the final dimension such as the length of the angle and the thickness of the workpiece, the additional tool calculates the exact length for angle cuts to the left of the saw blade.



### OPTION:

#### SWIVEL-AWAY DEVICE

The unit swivels the cross slide, including the mounted cross-cut fence, into the parking position behind the machine table. This can be operated quickly and safely by one person. Swivelling away provides free access directly next to the slide table.

ART. NO.: 4770

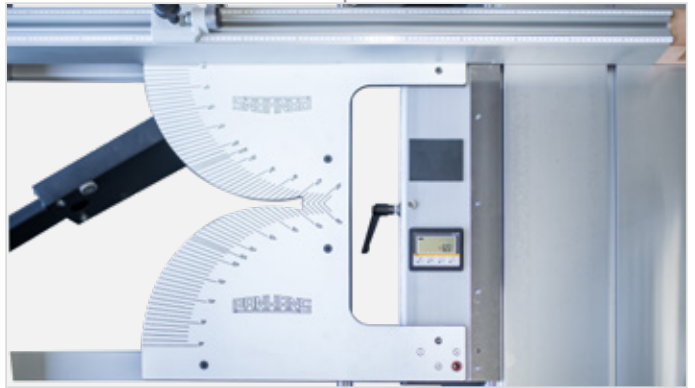


**OPTION:**

**DIGITAL ANGLE SETTING OF THE CROSS-CUT FENCE**

Thanks to the flat-mounted digital angle setting, the cross-cut fence can be set to up to 46° on both sides and the workpiece can be positioned on it without any conversion. The cross slide runs in exactly straight along the saw blade.

ART. NO.: 5509



**OPTION:**

**ADDITIONAL SUPPORT FOR LARGE PANELS**  
Support that can be pushed into the slide table to prevent large panels from sagging.

ART. NO.: 4786

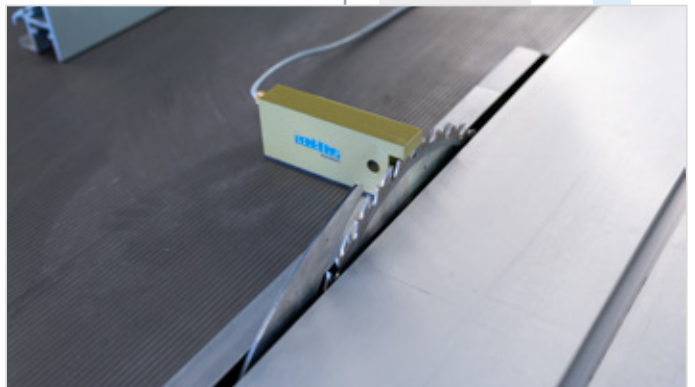


**OPTION:**

**CALIBRATION DEVICE**

Calibration device for automatic calibration of the cutting height, can be used with 680|200 and 690|200. With resharpened saws, this always ensures the exact saw projection or cutting height after changing the saw blade.

ART. NO.: 4583

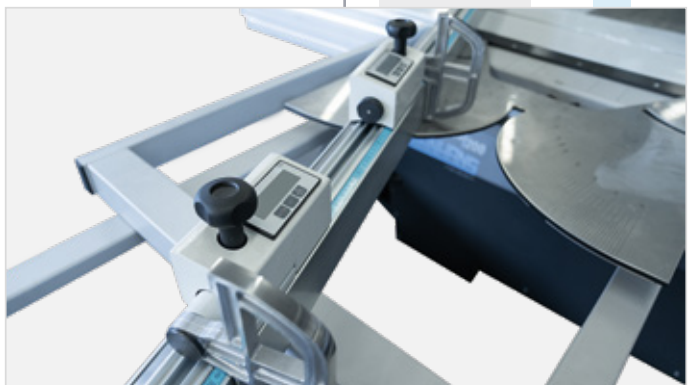


**OPTION:**

**CROSS-CUT FENCE WITH DIGITAL INDICATOR**




Cross-cut fence system. The set consists of three flip stops equipped with battery-operated digital indicators, setting accuracy 0.1mm and setting length max. 3300mm.



ART. NO.: 4759







# OPTIONS + EXTENSIONS: 680|200

## ACCESSORIES AGGREGATES

-  **THREE-PHASE MOTOR FOR THE MAIN SAW WITH 7.5 KW (10 HP)**  
ART. NO. 4319  
Instead of 5.5 kW
-  **VARIABLE SPEED CONTROL**  
ART. NO. 4811  
For the main saw blade, adjustable from 2000 – 6000 rpm, incl. 7.5 kW motor, operation with 5.7" touchscreen on the control panel
-  **SCORING SYSTEM QUICKSTEP MANUAL SCORE ADJUSTMENT WITHOUT TOOLS**  
ART. NO. 4550  
From 2.8 to 3.8 mm by grid adjustment of 0.05 mm per single step, incl. 1 set of saw blades 125 x 2.8 – 3.8 x 50 mm | Z = 12+12 for system Auto-EPS and 1750

-  **SCORING UNIT 1750 0.55 KW (0.75 HP)**  
ART. NO. 4079  
With manual height and side adjustment via externally mounted handwheels with blade quick-action clamping system APA
-  **SCORING UNIT AUTO-EPS 0.55 KW (0.75 HP)**  
ART. NO. 4598  
Electromotive positioning for side and height adjustment via LED display and memory function; when the scoring saw is switched on, the unit automatically moves to the set position values; when switched off, the unit automatically moves under the table to a lateral parking position, thus larger saw blades than  $\varnothing$  350 mm can also be used without having to remove the scoring saw blades

## ACCESSORIES FENCE SYSTEMS

-  **RIP FENCE MOTORISED ADJUSTABLE FOR CUTTING WIDTH 1030 MM INSTEAD OF 1250 MM**  
ART. NO. 4817  
Dimensions can be entered on the control panel via positioning control with 0.1 mm accuracy. Fence can be folded away in the parking position for a free table surface. Safety shut-off bar in case of danger of crushing between the rip fence and slide table
-  **DOUBLE-SIDED MITRE FENCE DSG A ANALOGUE**  
ART. NO. 5074  
For angle cuts 0° – 90° on the double slide table, length and angle measurement adjustable via scale; for cutting lengths up to 1375 mm, with length compensation for preferred angles 5°, 10°, 15°, 22.5°, 30°, 45°, 60°, 67.5°, incl. splinter block, wall bracket and an additional factor scale for easy calculation of wrong mitres for different workpiece widths
-  **DOUBLE-SIDED MITRE FENCE DSG D DIGITAL**  
ART. NO. 5075  
For angle cuts 0° – 90° on the double slide table, length adjustable via scale, angle digitally adjustable; for cutting lengths up to 1375 mm with length compensation for preferred angles 5°, 10°, 15°, 22.5°, 30°, 45°, 60°, 67.5°, incl. splinter block, wall bracket and an additional factor scale for easy calculation of wrong mitres for different workpiece widths
-  **CROSS-CUT FENCE WITH DIGITAL INDICATORS ON THE FLIP STOPS**  
ART. NO. 4759  
Ready mounted, adjustable to 0.1 mm (3 digital indicators), battery operated, length max. 3300 mm instead of standard scale

## ACCESSORIES SLIDE TABLE AND ADDITIONAL SUPPORTS

-  **ADDITIONAL CROSS SLIDE WITH FLOOR SUPPORT ROLLER**  
ART. NO. 4785  
Incl. mounting for standard cross-cut fence (without cross-cut fence), floor rail must be available on site
-  **CUTTING LENGTH OF SLIDE TABLE 4050 MM INSTEAD OF 3400 MM**  
ART. NO. 4765  
Slide table length 3800 mm
-  **CUTTING LENGTH OF SLIDE TABLE 2850 MM INSTEAD OF 3400 MM**  
ART. NO. 4764  
Slide table length 2600 mm

## ACCESSORIES SUPPORT SYSTEMS



### ADDITIONAL SUPPORT FOR LARGE PLATES

ART. NO.  
4786

Can be hooked on the slide table, length 500 mm



### SWIVEL TABLE SUPPORT WITH PLASTIC ROLLER

ART. NO.  
4768

Adjustable as table extension in the infeed or outfeed area, attached to the aluminium double slide table



### SWIVEL-AWAY DEVICE FOR THE CROSS SLIDE

ART. NO.  
4770

Quick ergonomic sliding into the parking position



### ADDITIONAL CORNER TABLE 750 X 940 MM FOR CUTTING WIDTH 1250 MM

ART. NO.  
4775

As additional table support next to the standard table extension



### CROSS-CUT FENCE WITH DIGITAL INDICATORS ON THE FLIP STOPS

ART. NO.  
4759

Ready mounted, adjustable to 0.1 mm (3 digital indicators), battery operated, length max. 3300 mm instead of standard scale

## ACCESSORIES MACHINE OPERATION



### CALIBRATION DEVICE FOR AUTOMATIC CUTTING HEIGHT CALIBRATION

ART. NO.  
4583

To 50 mm with different saw blade diameters

## ACCESSORIES MISCELLANEOUS



### LASER INDICATOR FOR THE CUTTING KERF

ART. NO.  
4322

Mounted on the guard



### CIRCULAR SAW POWER FEEDER 76

ART. NO.  
2078

For mounting on the rip fence



### MACHINE ACCESS CONTROL TM-300

ART. NO.  
4654

User database and Machine Access Control TM-300 with personalised RFID based keys, full version for authorised and instructed personnel, including master key for parameter settings and staff instructions and 5 user tags for machine operators



### PERSONALISED USER KEY

ART. NO.  
4670

(Blue) for user database TM-300, TM-200 and TM-100, Packaging unit = 10 pieces



### MASTER KEY

ART. NO.  
4671

(Red) for user database TM-300, TM-200 and TM-100, Packaging unit = 1 piece

## ACCESSORIES SERVICES



### INSTRUCTION BY FACTORY TECHNICIAN

ART. NO.  
4172

Or training at the Sigmaringen factory for the machine ordered, plus travel expenses if the instruction takes place at the customer's site



### WARRANTY PLUS+12

ART. NO.  
4259

12 months extended warranty (following the legal warranty period of 12 months), not on wear parts – warranty 1 year on parts



### MAINTENANCE AND INSPECTION

ART. NO.  
4175

Annual maintenance and inspection on site according to maintenance plan, spare parts are charged separately, plus travel expenses

# 690|100



**MOTOR POWER**  
5.5 kW / 7.5 HP



**VOLTAGE**  
400 V / 50 Hz



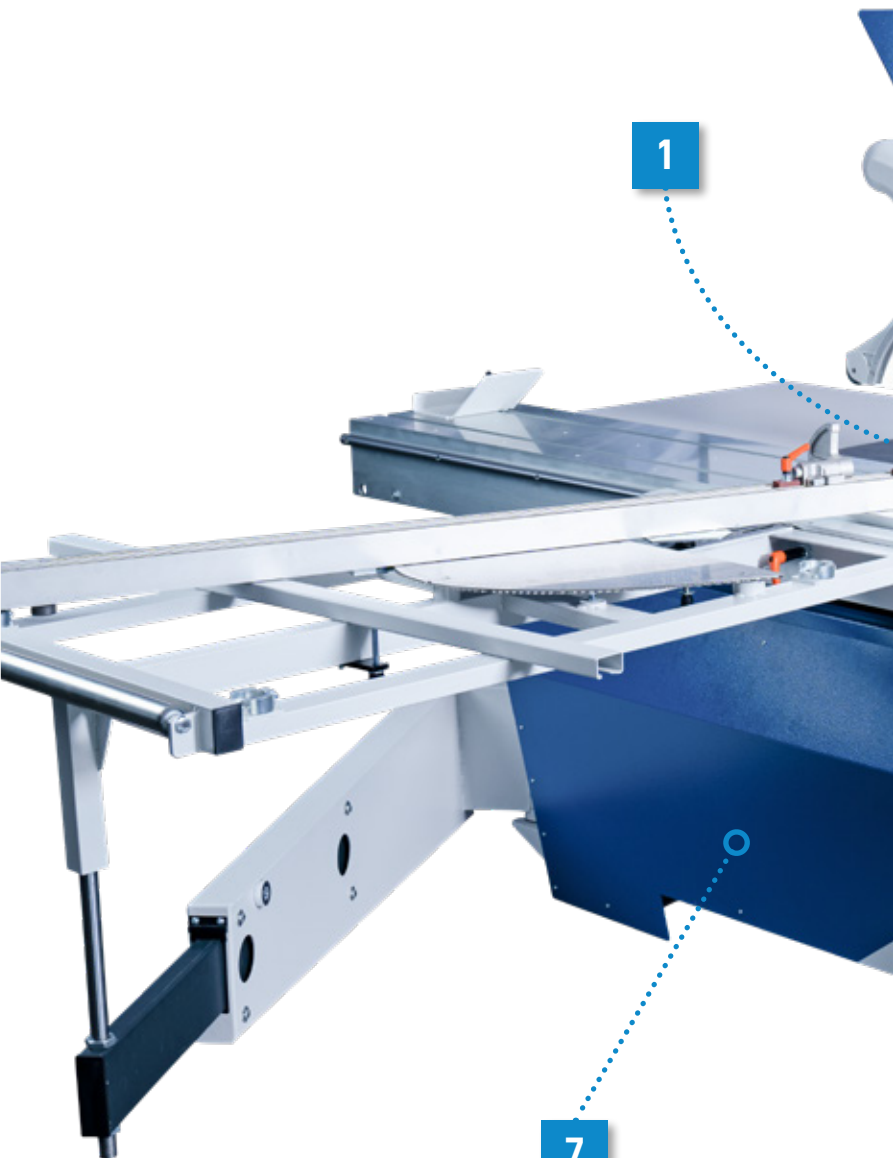
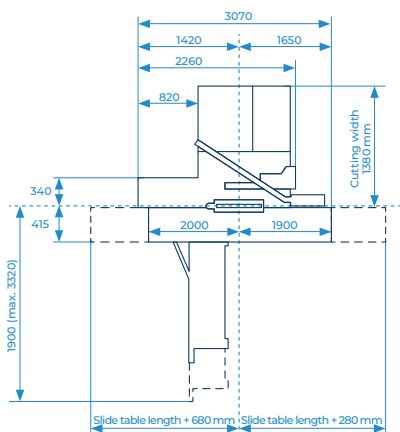
**SPACE REQUIREMENT**  
approx. 7000 x 3500 mm

The 690|100 sliding table saw from PANHANS enables safe and economical working thanks to its extensive standard equipment.

## TECHNICAL SPECIFICATIONS

Slide table length	3200 mm
Cutting length	3200 mm
Cutting height max.	155 mm at 90° 105 mm at 46°
Rip fence capacity	1030 mm
Cross-cut fence, extendable on cross slide	3200 mm
Saw blade max.	∅ 450 mm
Cast iron table top size	1200 x 655 mm
Table extension plus	750 x 655 mm
Table widening	1200 x 655 mm
Table height +/- 20 mm	900 mm
Saw blade tilt	0° - 46°
Main saw blade speed	3000 / 4000 / 5000 / 6000 rpm
Saw blade retractable under table	∅ 400 mm
Cross-cut fence	90°
Suction nozzles	∅ 120 mm / ∅ 80 mm
Net weight	approx. 1050 kg
APA saw blade quick clamping system	
Motorised height and tilt adjustment via touch button	
Double ball bearing mounted saw shaft for absolutely smooth running	
Digital indicators for angle / height / speed	
Push-button unit with electronic soft start (start/stop)	
Guard can be swivelled away to both sides	
Electronic, wear-free motor brake	

ART. NO.: 5506

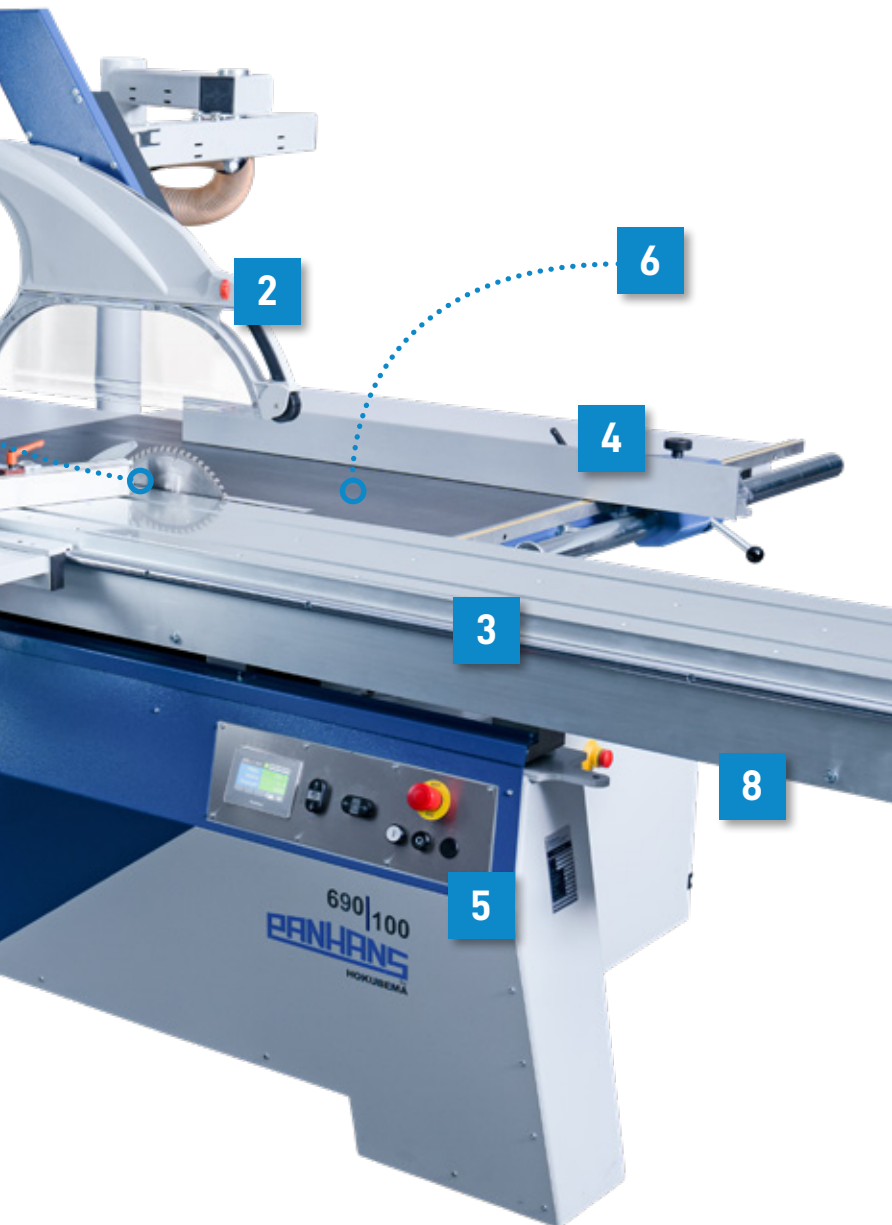




## HIGHLIGHT

### PANHANS-ALU DOUBLE SLIDE TABLE PRINCIPLE

The reinforced PANHANS aluminium double slide table principle ensures particularly smooth running and maximum service life. Ideal for heavy-duty applications, e.g. for carpentry and timber construction companies.



## FUNCTIONS

- 1 SAW BLADE ADJUSTMENT**  
Positive mitres can be made up to an angle of 46° with the highest precision.
- 2 SAW BLADE GUARD**  
The saw blade guard (narrow for 90° and wide for 45°) with integrated dust extraction has an interchangeable insert.
- 3 CROSS SLIDE**  
On the sturdy cross slide with support roller and quick-lock receptacle, the dimension setting is carried out by means of a scale and magnifying glass. Self-locking, tool-free plug-in system for the cross-cut fence with adjustable folding and end stop.
- 4 RIP FENCE**  
The cutting width is adjusted manually at the stable rip fence with clamping device. The fence can be swivelled under the worktable if required.
- 5 CONTROL PANEL**  
The control panel is clearly structured and just as easy to operate. Input keys and display are grouped and logically arranged.
- 6 TABLE TOP**  
A torsion-resistant and finely planed cast iron table top is mounted on the machine body.
- 7 SAWING AGGREGATE**  
The robust and powerful saw unit, built into the machine body, is the guarantor for precise saw cuts.
- 8 LE SLIDE TABLE**  
The reinforced double slide table is smooth-running and maintenance-free. Guided by hardened and ground steel guides, it ensures precise and backlash-free running over the entire length.

**PROBABLY THE BEST  
OF ITS KIND!**

## EQUIPMENT DETAILS + OPTIONS: 690|100

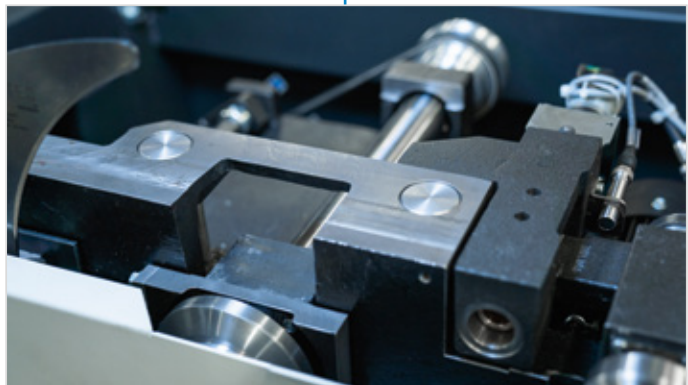
### APA SAW BLADE QUICK CLAMPING SYSTEM

Changing the main and scoring saw blade is extremely simple and very quick. One tool is sufficient to change the existing saw blade without locking the shaft. Due to the very high contact pressure, any saw blade can be used.



### CIRCULAR SAW SHAFT BEARING

The long shaft with 2 ball bearings, dynamically balanced, and the solid, double-guided column guide for height adjustment ensure absolutely smooth running. This means that operations such as trimming, cutting to length and shaping can be carried out with precision.



### CONTROL PANEL

All important functions of the sliding table saw can be controlled from a centrally located control panel. The digital indicators on the machine body clearly show the current values. The height and tilt adjustment are operated via push-buttons.



### SELECTABLE SPEED

The quick-release lever allows the desired speed to be set quickly on the drive unit.



# OPTIONS + EXTENSIONS: 690|100

## ACCESSORIES AGGREGATES



### SCORING SYSTEM QUICKSTEP MANUAL SCORE ADJUSTMENT WITHOUT TOOLS

ART. NO.  
4550

From 2.8 to 3.8 mm by grid adjustment of 0.05 mm per single step, incl. 1 set of saw blades 125 x 2.8 – 3.8 x 50 mm | Z = 12+12 for system Auto-EPS and 1750



### SCORING UNIT 1750 0.55 KW (0.75 HP)

ART. NO.  
4078

With manual height and side adjustment via externally mounted handwheels with blade quick-action clamping system APA



### THREE-PHASE MOTOR FOR THE MAIN SAW WITH 7.5 KW (10 HP)

ART. NO.  
4319

Instead of 5.5 kW

## ACCESSORIES MACHINE OPERATION



### EYE-LEVEL CONTROL PANEL, SWIVELLING

ART. NO.  
4757

Instead of operation at the bottom of the machine body



### TEMPLATE HOLDER ON THE CONTROL PANEL

ART. NO.  
4758

Top mounted with magnetic holder (only in combination with 4757)

## ACCESSORIES FENCE SYSTEM



### DOUBLE-SIDED MITRE FENCE DSG A ANALOGUE

ART. NO.  
4379

For angle cuts 0°–90° on the double slide table, length and angle measurement adjustable via scale; for cutting lengths up to 1375 mm, with length compensation for preferred angles 5°, 10°, 15°, 22.5°, 30°, 45°, 60°, 67.5°, incl. splinter block, wall bracket and an additional factor scale for easy calculation of wrong mitres for different workpiece widths



### DIGIT-PAB FOR CUTTING WIDTH 830 MM

ART. NO.  
4754

Digital wireless absolute measuring system (battery operated) for the rip fence, manual adjustment (only with 4752); with swivelling indicator on the fence, fine adjustment to 0.1 mm; no additional calibration is required, even if the fence has been swivelled under the table



### DOUBLE-SIDED MITRE FENCE DSG D DIGITAL

ART. NO.  
4380

For angle cuts 0° – 90° on the double slide table, length adjustable via scale, angle digitally adjustable; for cutting lengths up to 1375 mm with length compensation for preferred angles 5°, 10°, 15°, 22.5°, 30°, 45°, 60°, 67.5°, incl. splinter block, wall bracket and an additional factor scale for easy calculation of wrong mitres for different workpiece widths



### DIGIT-PAB FOR CUTTING WIDTH 1030 MM

ART. NO.  
4755

Digital wireless absolute measuring system (battery operated) for the rip fence, manual adjustment; with swivelling indicator on the fence, fine adjustment to 0.1 mm; no additional calibration is required, even if the fence has been swivelled under the table



### RIP FENCE WITH CAPACITY 830 MM

ART. NO.  
4752

To the right of the saw blade with fine adjustment, easy to adjust and fix manually via easy-to-read mm dimension scale on adjustable ruler support



### DIGIT-PAB FOR CUTTING WIDTH 1280 MM

ART. NO.  
4756

Digital wireless absolute measuring system (battery operated) for the rip fence, manual adjustment (only with 4753); with swivelling indicator on the fence, fine adjustment to 0.1 mm; no additional calibration is required, even if the fence has been swivelled under the table



### RIP FENCE WITH CAPACITY 1280 MM

ART. NO.  
4753

To the right of the saw blade with fine adjustment, easy to adjust and fix manually via easy-to-read mm dimension scale on adjustable ruler support



### RIP FENCE LEFT OF THE SAW BLADE

ART. NO.  
4488

For cutting long, narrow parts, easily adjustable via dimension scale and sliding stop with magnifying glass up to 800 mm cutting width

# OPTIONS + EXTENSIONS:690|100

## ACCESSORIES FENCE SYSTEMS



### TELE-DIGIT CROSS-CUT FENCE

ART.NO.  
4167

With central digital position indicator 0.1mm in low-power system for both flip stops up to 3000mm instead of standard cross-cut fence



### STANDARD MITRE FENCE

ART.NO.  
4592

Swivelling on both sides, 45° to 60° with extendable flip stop up to 2000mm length



### SUPER-GEHRFIX I

ART.NO.  
4315

Combined mitre and cross-cut fence with automatic length compensation; for angle cuts from 45° to 135° with V2a grid curve, graduation and intermediate degrees for 67.5°/78.75°/101.25°/112.5°; the standard cross-cut fence is used as cross-cut fence (cannot be retrofitted)



### SUPER-GEHRFIX II

ART.NO.  
4303

Combined mitre and cross-cut fence for angle cuts from 45° to 135° with infinitely variable adjustment via digital indicator to 0.01° with automatic length compensation; the standard cross-cut fence is used as cross-cut fence (cannot be retrofitted)



### MITRE FENCE FOR SUPER-GEHRFIX I+II

ART.NO.  
4173

For damage-free cutting to length of mitres or hexagons already cut on one side as additional stop on the cross-cut fence, with adjustable angle for the pre-cut mitre, offset 100 mm

## ACCESSORIES SLIDE TABLES AND ADDITIONAL SUPPORTS



### CUTTING LENGTH SLIDE TABLE 2000 MM

ART.NO.  
4584

Instead of 3200 mm



### CUTTING LENGTH SLIDE TABLE 3800 MM

ART.NO.  
4405

Instead of 3200 mm



### CUTTING LENGTH SLIDE TABLE 2600 MM

ART.NO.  
4586

Instead of 3200 mm



### REMOTE LOCKING OF THE TROLLEY

ART.NO.  
4438.1

For blocking the upper slide table in 70 mm increments

## ACCESSORIES SUPPORT SYSTEMS



### ADDITIONAL SUPPLY FOR LARGE PLATES

ART.NO.  
4321

Attachable to the slide table, length 500 mm



### ADDITIONAL CORNER TABLE 750 X 400 MM FOR CUTTING WIDTH 800 MM

ART.NO.  
4772

As additional table support next to the standard table extension



### SWIVEL TABLE SUPPORT WITH PLASTIC ROLLER

ART.NO.  
4768

Adjustable as table extension in the infeed or outfeed area, attached to the aluminium double slide table



### ADDITIONAL CORNER TABLE 750 X 600 MM FOR CUTTING WIDTH 1030 MM

ART.NO.  
4773

As additional table support next to the standard table extension



### SWIVEL-AWAY DEVICE FOR THE CROSS-SLIDE

ART.NO.  
4770

Quick ergonomic sliding into the parking position



### ADDITIONAL CORNER TABLE 750 X 890 MM FOR CUTTING WIDTH 1280 MM

ART.NO.  
4774

As additional table support next to the standard table extension



### EXTENDABLE SUPPORT ROLLER

ART.NO.  
4499

On cross slide, extension length 610 mm



## ACCESSORIES MISCELLANEOUS



**LASER INDICATOR FOR THE CUTTING KERF**  
Mounted on the guard

ART. NO.  
4322



**CIRCULAR SAW POWER FEEDER 76**  
For mounting on the rip fence

ART. NO.  
2078



**TOOL DRAWER**  
Integrated in the table extension

ART. NO.  
4771

## ACCESSORIES SERVICES



**INSTRUCTION BY FACTORY TECHNICIAN**  
Or training at the Sigmaringen factory for the machine ordered, plus travel expenses if the instruction takes place at the customer's site

ART. NO.  
4172



**MAINTENANCE AND INSPECTION**  
Annual maintenance and inspection on site according to maintenance plan, spare parts are charged separately, plus travel expenses

ART. NO.  
4175



**WARRANTY PLUS+12**  
12 months extended warranty (following the legal warranty period of 12 months), not on wear parts – warranty 1 year on parts

ART. NO.  
4259

# SHOWROOM



## MACHINES AND ACCESSORIES TO TRY OUT, EXPERIENCE, FALL IN LOVE ...

Our showroom in Sigmaringen in southern Germany is a year-round product presentation and is used for trying out machines and our SI-TEC safety products. Test\* our professional woodworking and plastics processing machines before you buy. We will also be happy to advise you personally on site.

### WE OFFER YOU:

- Machine demonstration by experts
- Qualified advice from specialist personnel
- Professional instruction for your personal protection
- Explanation of functions and accessories
- Trying out all products

\*Please note that for safety reasons the exhibits may only be used by the visitor with his own material and tools during the machine test.



# 690|200



**MOTOR POWER**  
5.5 kW / 7.5 HP



**VOLTAGE**  
400 V / 50 Hz



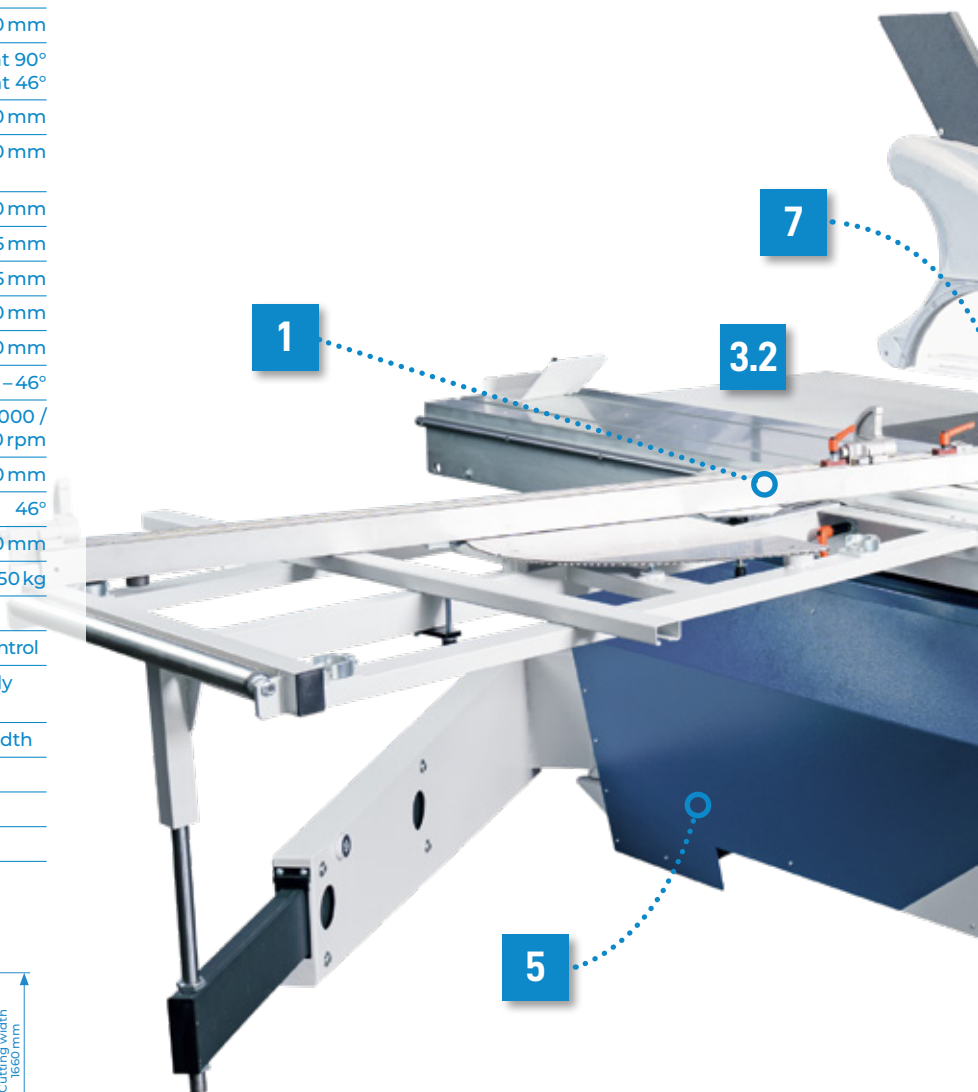
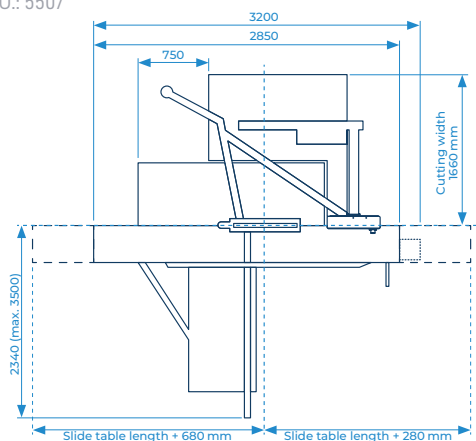
**SPACE REQUIREMENT**  
approx. 7000 x 3500 mm

Added value is not created by unnecessary accessories – the necessary is reasonable and the essential counts. Values that characterise products from PANHANS.

## TECHNICAL SPECIFICATIONS

Slide table length	3200 mm
Cutting length	3200 mm
Cutting height max.	155 mm at 90° 105 mm at 46°
Rip fence capacity	1250 mm
Cross-cut fence, extendable on cross slide	3200 mm
Saw blade max.	∅ 450 mm
Cast iron table top size	1200 x 655 mm
Table extension plus	750 x 655 mm
Table widening	1430 x 940 mm
Table height	900 mm
Saw blade tilt	0° – 46°
Main saw blade speed	3000 / 4000 / 5000 / 6000 rpm
Saw blade retractable under table	∅ 400 mm
Cross-cut fence	46°
Suction nozzles	∅ 120 mm / ∅ 80 mm
Net weight	approx. 1150 kg
APA saw blade quick clamping system	
Motorised height and tilt adjustment via positioning control	
Double ball bearing mounted saw shaft for absolutely smooth running	
Digital indicators for angle / height / speed / cutting width	
Push-button unit with electronic soft start (start/stop)	
Guard can be swivelled away to both sides	
Electronic, wear-free motor brake	

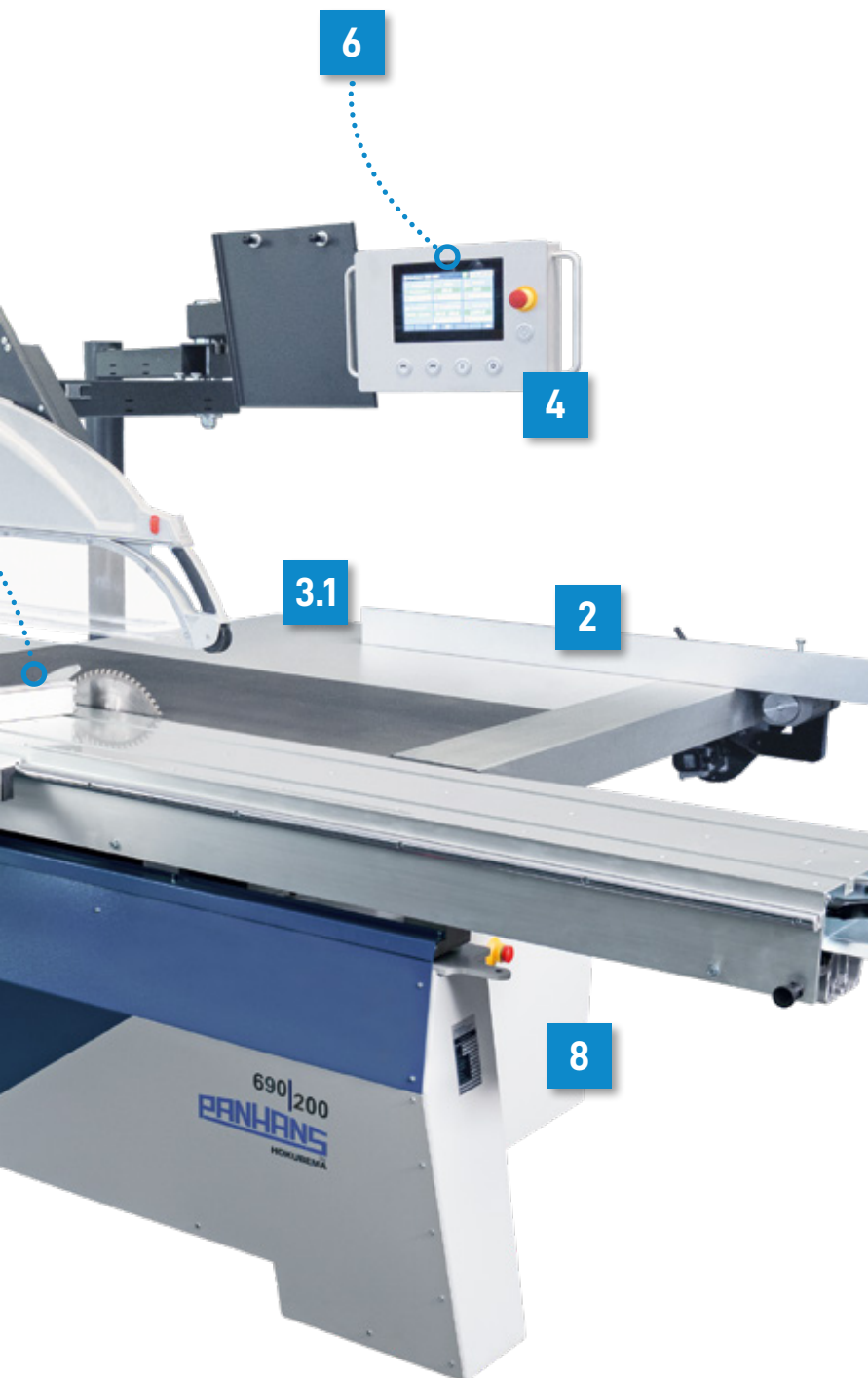
ART. NO.: 5507



## HIGHLIGHT

### KNOW-HOW, EXPERIENCE AND THE LATEST TECHNOLOGY

The 690|100 and 690|200 models not only combine the know-how of experienced PANHANS technicians. Many components have been optimised and many newly developed.



## FUNCTIONS

- 1 CROSS-CUT FENCE PROFILE**  
On cross slide with mm scale and magnifying glass as well as telescopic extension. Extendable up to 3200 mm, including 2 pieces of robust and backlash-free flip stops.
- 2 RIP FENCE**  
Electromotive rip fence with a cutting width of 1250 mm is located to the right of the saw blade. Dimensions are entered on the control panel via positioning control (accuracy 0.1mm). The fence can be folded away to free up table space. Additional safety shut-off bar between the rip fence and the slide table in case of danger of crushing.
- 3 TABLE WIDENING /-VERLÄNGERUNG**  
Equipped with a table extension (3.1) of 1430 x 940 mm and the table extension (3.2) of 750 x 655 mm with pull-out tool drawer.
- 4 7" TOUCHSCREEN CONTROL**  
Operated from the top with control panel and placed at eye level as well as swivelling. Equipped with template holder and 7" touchscreen control for cutting height, tilt adjustment and speed.
- 5 HEIGHT AND SWIVEL ADJUSTMENT**  
The height and swivel adjustment is motorised via the positioning control.
- 6 DIGITAL INDICATION**  
Digital indicators for angle, cutting height, speed and cutting width.
- 7 SOFT START**  
Push button control with electronic soft start for start and stop.
- 8 MOTOR BRAKE**  
Electronic and wear-free motor brake for ideal running.

# EQUIPMENT DETAILS + OPTIONS: 690|200

## SOLID PANHANS SLIDE TABLE

The ball bearing mounted and extra stable double slide table is smooth running and maintenance free. The precise and backlash-free running over the full length is guaranteed by the hardened and ground round steel guides. This slide table is particularly suitable for solid wood processing.



## CONTROL

The touch display allows comfortable operation. By touching the smooth monitor surface, program sequences and command entries can be controlled directly. Since there are no individual keys and thus no gaps, the control is largely insensitive to dust, dirt and moisture. Particular emphasis is placed on intuitive operation.



## SAW BLADE GUARD

Saw blade guard with integrated dust extraction and interchangeable insert. The user can choose between narrow for 90° and wide for 45°.

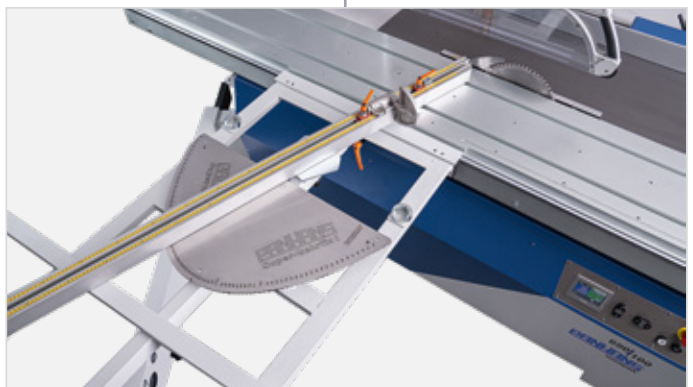


## OPTION:

### SUPER GEHRFIX I AND II

Combined mitre and cross-cut fence with the exceptional performance spectrum for angle cuts – manual and precise fit. Automatic length compensation via a stainless steel grid curve. Super-Gehrfix II with digital indicator, infinitely adjustment to 0.1°.

ART. NO.: 4315, 4303

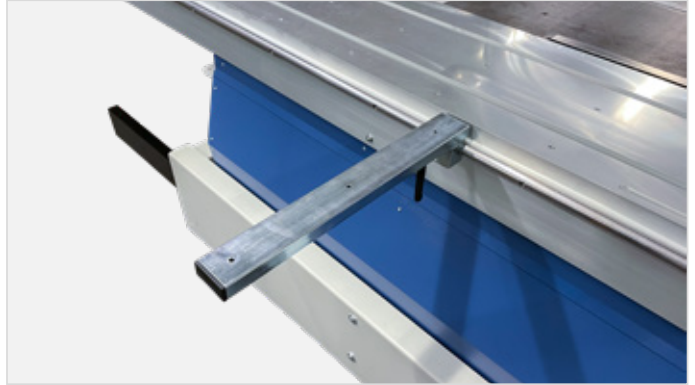


**OPTION:**

**ADDITIONAL SUPPLY FOR LARGE PLATES**

Support that can be pushed into the slide table to prevent large panels from sagging.

ART. NO.: 4321



**OPTION:**

**TELE-DIGIT CROSS-CUT FENCE**

With central digital position indicator 0.1mm in low-power system for both flip stops up to 3000mm. The unit is used instead of the standard cross-cut fence.

ART. NO.: 4167



**OPTION:**

**SCORING UNIT AUTO-EPS**

Electromotive positioning for side and height adjustment, including the parking position behind the main saw blade. Larger saw blades can be used without removing the scoring saw blades. The scoring saws are not located in the dirt area. When activated, the unit moves to the stored setting positions.

ART. NO.: 4598



**OPTION:**

**LASER INDICATOR**

Laser beam for visual indication of the kerf on tear-off or trim cuts on boards with forest edge. The laser device is attached to the guard.




ART. NO.: 4322







# OPTIONS + EXTENSIONS: 690|200

## ACCESSORIES AGGREGATES

-  **THREE-PHASE MOTOR FOR THE MAIN SAW WITH 7.5 KW (10HP)**  
ART.NO. 4319  
Instead of 5.5 kW
-  **VARIABLE SPEED CONTROL**  
ART.NO. 4811  
For the main saw blade, adjustable from 2000 – 6000rpm, incl. 7.5kW motor, operation via 5.7" touchscreen on the control panel
-  **SCORING SYSTEM QUICKSTEP MANUAL SCORE ADJUSTMENT WITHOUT TOOLS**  
ART.NO. 4550  
From 2.8 to 3.8mm by grid adjustment of 0.05mm per single step, incl. 1 set of saw blades 125 x 2.8 - 3.8 x 50 mm | Z = 12+12 for system Auto-EPS and 1750

-  **SCORING UNIT 1750 0.55 KW (0.75 HP)**  
ART.NO. 4079  
With manual height and side adjustment via externally mounted handwheels with blade quick-action clamping system APA
-  **SCORING UNIT AUTO-EPS 0.55 KW (0.75 HP)**  
ART.NO. 4598  
Electromotive positioning for side and height adjustment via LED display and memory function; when the scoring saw is switched on, the unit automatically moves to the set position values; when switched off, the unit automatically moves under the table to a lateral parking position, thus larger saw blades than  $\varnothing$  350 mm can also be used without having to remove the scoring saw blades

## ACCESSORIES FENCE SYSTEMS

-  **TELE-DIGIT CROSS-CUT FENCE**  
ART.NO. 4167  
With central digital position indicator 0.1mm in low-power system for both flip stops up to 3000mm instead of standard cross-cut fence
-  **SUPER-GEHRFIX I**  
ART.NO. 4315  
Combined mitre and cross-cut fence with automatic length compensation; for angle cuts from 45° to 135° with V2a grid curve, graduation and intermediate degrees for 67.5°/78.75°/101.25°/112.5°; the standard cross-cut fence is used as cross-cut fence (cannot be retrofitted)
-  **SUPER-GEHRFIX II**  
ART.NO. 4303  
Combined mitre and cross-cut fence for angle cuts from 45° to 135° with infinitely variable adjustment via digital indicator to 0.01° with automatic length compensation; the standard cross-cut fence is used as cross-cut fence (cannot be retrofitted)
-  **MITRE FENCE FOR SUPER-GEHRFIX I+II**  
ART.NO. 4173  
For damage-free cutting to length of mitres or hexagons already cut on one side as additional stop on the cross-cut fence with adjustable angle for the pre-cut mitre, offset 100 mm
-  **STANDARD MITRE FENCE**  
ART.NO. 4592  
Swivelling on both sides, 45° to 60° with extendable flip stop up to 2000 mm length
-  **DOUBLE-SIDED MITRE FENCE DSG A ANALOGUE**  
ART.NO. 4379  
For angle cuts 0°–90° on the double slide table, length and angle measurement adjustable via scale; for cutting lengths up to 1375 mm, with length compensation for preferred angles 5°, 10°, 15°, 22.5°, 30°, 45°, 60°, 67.5°, incl. splinter block, wall bracket and an additional factor scale for easy calculation of wrong mitres for different workpiece widths
-  **DOUBLE-SIDED MITRE FENCE DSG D DIGITAL**  
ART.NO. 4380  
For angle cuts 0°–90° on the double slide table, length adjustable via scale, angle digitally adjustable; for cutting lengths up to 1375 mm with length compensation for preferred angles 5°, 10°, 15°, 22.5°, 30°, 45°, 60°, 67.5°, incl. splinter block, wall bracket and an additional factor scale for easy calculation of wrong mitres for different workpiece widths
-  **RIP FENCE LEFT OF THE SAW BLADE**  
ART.NO. 4488  
For cutting long, narrow parts, easily adjustable via dimension scale and sliding flip stop with magnifying glass up to 800 mm cutting width



## ACCESSORIES SLIDE TABLES AND ADDITIONAL SUPPORTS



**CUTTING LENGTH SLIDE TABLE 2000 MM**  
Instead of 3200 mm

ART. NO.  
4584



**CUTTING LENGTH SLIDE TABLE 3800 MM**  
Instead of 3200 mm

ART. NO.  
4405



**CUTTING LENGTH SLIDE TABLE 2600 MM**  
Instead of 3200 mm

ART. NO.  
4586



**REMOTE LOCKING OF THE SLIDE TABLE**  
For blocking the upper slide table in 70 mm increments

ART. NO.  
4483.1

## ACCESSORIES SUPPORT SYSTEMS



**ADDITIONAL SUPPLY FOR LARGE PLATES**  
Attachable to the slide table, length 500 mm

ART. NO.  
4321



**EXTENDABLE SUPPORT ROLLER**  
On cross slide, extension length 610 mm

ART. NO.  
4499



**SWIVEL TABLE SUPPORT WITH PLASTIC ROLLER**  
Adjustable as table extension in the infeed or outfeed area, attached to the aluminium double slide table

ART. NO.  
4768



**ADDITIONAL CORNER TABLE 750 X 940 MM FOR CUTTING WIDTH 1250 MM**  
As additional table support next to the standard table extension

ART. NO.  
4775



**SWIVEL-AWAY DEVICE FOR THE CROSS-SLIDE**  
Quick ergonomic sliding into the parking position

ART. NO.  
4770

## ACCESSORIES MISCELLANEOUS



**MACHINE ACCESS CONTROL TM-300**  
User database and Machine Access Control TM-300 with personalised RFID based keys, full version for authorised and instructed personnel, including master key for parameter settings and staff instructions and 5 user tags for machine operators

ART. NO.  
4654



**LASER INDICATOR FOR THE CUTTING KERF**  
Mounted on the guard

ART. NO.  
4322



**PERSONALISED USER KEY**  
(Blue) for user database TM-300, TM-200 and TM-100, Packaging unit = 10 pieces

ART. NO.  
4670



**CIRCULAR SAW POWER FEEDER 76**  
For mounting on the rip fence

ART. NO.  
2078



**MASTER KEY**  
(Red) for user database TM-300, TM-200 and TM-100, Packaging unit = 1 piece

ART. NO.  
4671



**CALIBRATION DEVICE FOR AUTOMATIC CUTTING HEIGHT CALIBRATION**  
To 50 mm with different saw blade diameters

ART. NO.  
4583

## ACCESSORIES SERVICES



**INSTRUCTION BY FACTORY TECHNICIAN**  
Or training at the Sigmaringen factory for the machine ordered, plus travel expenses if the instruction takes place at the customer's site

ART. NO.  
4172



**MAINTENANCE AND INSPECTION**  
Annual maintenance and inspection on site according to maintenance plan, spare parts are charged separately, plus travel expenses

ART. NO.  
4175



**WARRANTY PLUS+12**  
12 months extended warranty (following the legal warranty period of 12 months), not on wear parts – warranty 1 year on parts

ART. NO.  
4259

# V91|10



Watch user video:  
<https://youtu.be/B5E7hhgoBgE>



**MOTOR POWER**  
7.5 kW / 10 HP



**VOLTAGE**  
400 V / 50 Hz



**SPACE REQUIREMENT**  
approx. 7000 x 3660 mm

Positive and negative mitres can be performed in unchanged workpiece position with the PANHANS V91|10.

## TECHNICAL SPECIFICATIONS

Slide table length	3200 mm
Cutting length	3200 mm
Rip fence capacity	1250 mm
Cutting height max.	172.5 mm at 90° 120 – 90 mm at +/- 45.5°

Cross-cut fence, extendable on cross slide 3200 mm

Saw blade max.  $\varnothing$  500 mm

Cast iron table top size 1200 x 655 mm

Table extension plus 775 x 330 mm

Table widening plus 1200 x 780 mm

Table height 875 mm

Saw blade tilt  $-45.5^\circ / +45.5^\circ$

Infinitely variable speed 1000 – 6000 rpm

Suction nozzles  $\varnothing$  120 mm /  $\varnothing$  80 mm

Net weight approx. 1300 kg

APA saw blade quick clamping system

Motorised height and tilt adjustment via positioning control

Double ball bearing mounted saw shaft for absolutely smooth running

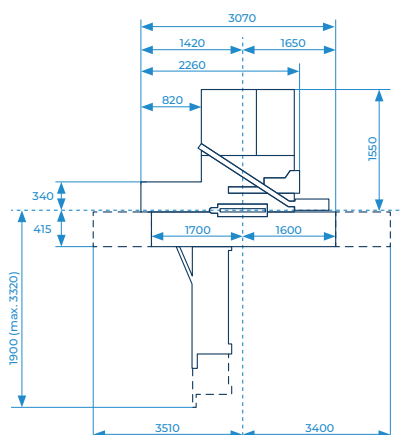
Automatic length calculation from the saw blade to the rip fence

Stable, lightweight cross slide made of steel profiles with Quick-Lock mountings for the aluminium cross-cut fence profile, can be used on both sides

Swivelling guard with rotating protective bonnet

Automatic star-delta start and motor brake

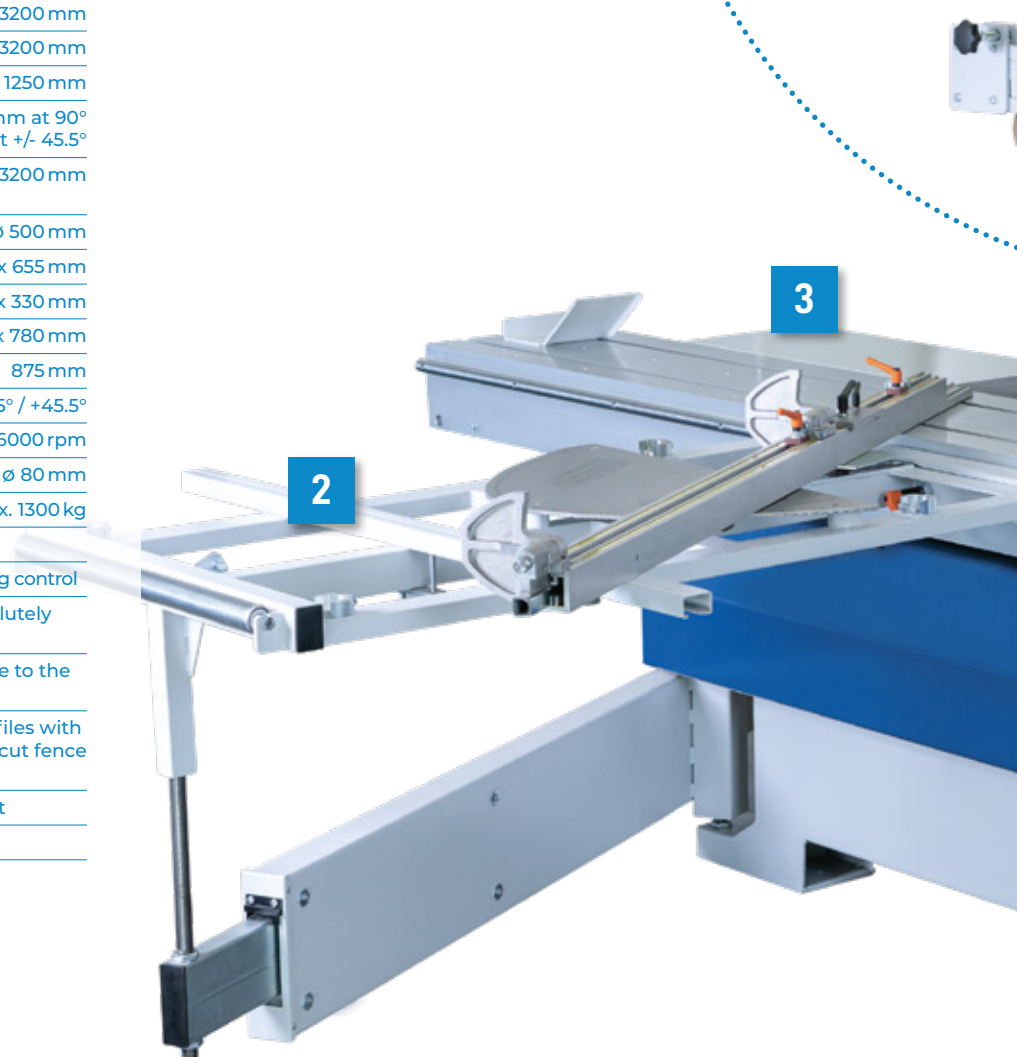
ART. NO.: 4410



4

3

2



## HIGHLIGHT

### 45.5° IN BOTH DIRECTIONS

The visible side of the workpiece remains up, regardless of the inclination of the saw blade. This ensures tear-free cutting in any case.



## FUNCTIONS

- 1 CUTTING QUALITY**

The 45.5° tilt of the saw blade in both directions opens up new processing possibilities. The settings via a display facilitate the work and ensure extremely precise cuts as a result.
- 2 CROSS SLIDE**

Stable cross slide with support roller and Quick-Lock mountings. Self-locking, tool-free plug-in system for the cross-cut fence with adjustable folding and end flip stop. Dimension adjustment via scale and magnifying glass.
- 3 LENGTH CALCULATION**

The sliding table saw has an automatic length calculation from the saw blade to the rip fence. With the manually adjustable fence, a graphic representation appears on the display. The length calculation is carried out automatically when the values for cutting width and angle are entered.
- 4 BLADE GUARD WITH EXTRACTION**

The rotating guard with extraction can be swivelled in two easy steps and thus adapted to any saw blade setting – a patented PANHANS solution.
- 5 SAWING AGGREGATE**

The robust, powerful saw unit, in the machine body, is the guarantor for precise saw cuts.
- 6 DOUBLE SLIDE TABLE**

The double slide table is smooth-running and maintenance-free. Guided by hardened and ground steel guides, it ensures precise and backlash-free running along its entire length.
- 7 OPTION: CONTROL PANEL AT EYE LEVEL**

The operating element above the machine body is clearly programmable. ART. NO.: 4593
- 8 OPTION: ELECTROMOTIVE RIP FENCE**

Dimensions can be entered on the control panel via keyboard. Removable for free table top, safety bar in case of danger of crushing between rip fence and slide table. (Fence cannot be folded down completely as with models FKS 680 and 690) ART. NO.: 4413, 4414

## EQUIPMENT DETAILS + OPTIONS: V91|10

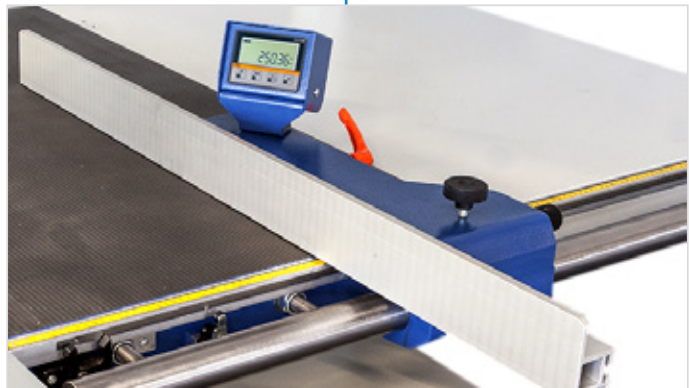
### TILTING SAW BLADE

The V91|10 sliding table saw has an electromotive height and tilt adjustment of the saw blade from +45.5 to -45.5°. By sawing 45.5° in both directions, positive and negative mitres can be performed with the workpiece position unchanged. The workpiece does not have to be turned which saves time and effort.



### RIP FENCE

The cutting width is set manually with the stable fence via fine adjustment and clamping. The set fence position is clearly displayed digitally on the rotatable indicator. In addition, the fence can be folded under the table.



### THE PATENTED ROTATING GUARD

PANHANS sliding table saws of the V91 series operate with only one guard. An ingenious rotating mechanism allows the bonnet to be individually adjusted to the saw blade setting. The guard does not have to be interchanged – therefore it cannot get lost.



### OPTION:

#### AUXILIARY MITRE FENCE

The problem solver for making blunt and acute mitres. Can be combined with Super-Gehrfix I+II. For stopping and damage-free cutting to length of mitres already cut. As an addition to the cross-cut fence, with adjustable angle. Offset to the flip stop 100 mm.

ART. NO.: 4591





# OPTIONS + EXTENSIONS: V91|10

## ACCESSORIES AGGREGATES



### SCORING UNIT AUTO-EPS 0.55KW (0.75HP)

ART. NO.  
4213

Electromotive positioning for side and height adjustment with memory function; when the scoring saw is switched on, the unit automatically moves to the set position values; when switched off, the unit automatically moves under the table to a lateral parking position, thus larger saw blades than  $\varnothing$  350 mm can also be used without having to remove the scoring saw blades (**Quick-step scoring system included**)



### PREPARATION FOR RETROFITTING THE SCORING UNIT

ART. NO.  
4416

## ACCESSORIES MACHINE OPERATION



### OPERATING PANEL AT EYE LEVEL

ART. NO.  
4593

Incl. template holder and swivelling saw blade guard (recommended)



### CALIBRATION DEVICE FOR AUTOMATIC CUTTING HEIGHT CALIBRATION

ART. NO.  
4583

To 50 mm for different saw blade diameters

## ACCESSORIES FENCE SYSTEMS



### RIP FENCE MANUAL FOR 1500 MM CUTTING WIDTH

ART. NO.  
4035

Instead of 1250 mm with position indication via wireless absolute measuring system Digit-PAB



### RIP FENCE LEFT OF THE SAW BLADE

ART. NO.  
4488

For cutting long, narrow parts, easily adjustable via dimension scale and sliding flip stop with magnifier up to a cutting width of 800 mm



### RIP FENCE MOTORISED ADJUSTABLE FOR CUTTING WIDTHS UP TO 1250 MM

ART. NO.  
4413

Measurement input on the control panel via keyboard (accuracy 0.1mm) with automatic recognition of the aluminium ruler position (flat/high) including measurement calculation; upper fence part removable for free table surface; safety cut-off bar in case of danger of crushing between rip fence and slide table



### SUPER GEHRFIX I

ART. NO.  
4383

Combined mitre and cross-cut fence with automatic length compensation; for angle cuts from  $45^\circ$  to  $135^\circ$  with V2a grid curve, graduation and intermediate degrees for  $67.5^\circ/78.75^\circ/101.25^\circ/112.5^\circ$ ; the standard cross-cut fence is used as cross-cut fence (cannot be retrofitted)



### RIP FENCE MOTORISED ADJUSTABLE FOR CUTTING WIDTHS UP TO 1500 MM

ART. NO.  
4414

Measurement input at the control panel via keyboard to 0.1mm with automatic recognition of the position of the aluminium ruler (flat/high) including measurement calculation; upper stop part removable for free table surface; safety shut-off strip in case of danger of crushing between rip fence and slide table



### SUPER GEHRFIX II

ART. NO.  
4385

Combined mitre and cross-cut fence for angle cuts from  $45^\circ$  to  $135^\circ$  with infinitely variable adjustment via digital display to  $0.01^\circ$  with automatic length compensation; the standard cross-cut fence is used as cross-cut fence (cannot be retrofitted)



### TELE-DIGIT CROSS-CUT FENCE WITH CENTRAL DIGITAL WIRELESS MEASUREMENT

ART. NO.  
4166

0.1mm in low-power system for both flip stops up to 2890 mm instead of standard cross-cut fence



### MITRE FENCE FOR SUPER-GEHRFIX I+II

ART. NO.  
4173

For damage-free cutting to length of mitres or hexagons already cut on one side as an additional stop on the cross-cut fence with adjustable angle for the pre-cut mitre, offset dimension 100 mm



### STANDARD MITRE FENCE

ART. NO.  
4591

Swivelling on both sides,  $45^\circ$  to  $60^\circ$  with extendable flip stop up to 2000 mm length



# OPTIONS + EXTENSIONS: V91|10

## ACCESSORIES FENCE SYSTEMS



### DOUBLE-SIDED MITRE FENCE DSG A ANALOGUE

ART. NO.  
4379

For angle cuts 0°–90° on the double slide table, length and angle measurement adjustable via scale; for cutting lengths up to 1375 mm, with length compensation for preferred angles 5°, 10°, 15°, 22.5°, 30°, 45°, 60°, 67.5°, incl. splinter block, wall bracket and an additional factor scale for easy calculation of wrong mitres for different workpiece widths



### DOUBLE-SIDED MITRE FENCE DSG D DIGITAL

ART. NO.  
4380

For angle cuts 0°–90° on the double slide table, length adjustable via scale, angle digitally adjustable; for cutting lengths up to 1375 mm with length compensation for preferred angles 5°, 10°, 15°, 22.5°, 30°, 45°, 60°, 67.5°, incl. splinter block, wall bracket and an additional factor scale for easy calculation of wrong mitres for different workpiece widths

## ACCESSORIES SLIDE TABLES



### CUTTING LENGTH SLIDE TABLE 2000 MM

ART. NO.  
4584

Instead of 3200 mm



### CUTTING LENGTH SLIDE TABLE 3800 MM

ART. NO.  
4405

Instead of 3200 mm



### CUTTING LENGTH SLIDE TABLE 2600 MM

ART. NO.  
4586

Instead of 3200 mm



### REMOTE LOCKING OF THE TROLLEY

ART. NO.  
4483.1

For blocking the upper slide table in 70 mm increments

## ACCESSORIES SUPPORT SYSTEMS



### ADDITIONAL SUPPLY FOR LARGE PLATES

ART. NO.  
4321

Attachable to the slide table, length 500 mm



### EXTENDABLE CASTOR

ART. NO.  
4499

On cross slide, extension length 610 mm



### SWIVEL-AWAY DEVICE FOR THE CROSS-SLIDE

ART. NO.  
4440

Quick ergonomic sliding into the parking position

## ACCESSORIES MISCELLANEOUS



### LASER INDICATOR FOR THE CUTTING KERF

ART. NO.  
4320

Mounted on the guard

## ACCESSORIES SERVICES



### INSTRUCTION BY FACTORY TECHNICIAN

ART. NO.  
4172

Or training at the Sigmaringen factory for the machine ordered, plus travel expenses if the instruction takes place at the customer's site



### MAINTENANCE AND INSPECTION

ART. NO.  
4175

Annual maintenance and inspection on site according to maintenance plan, spare parts are charged separately, plus travel expenses

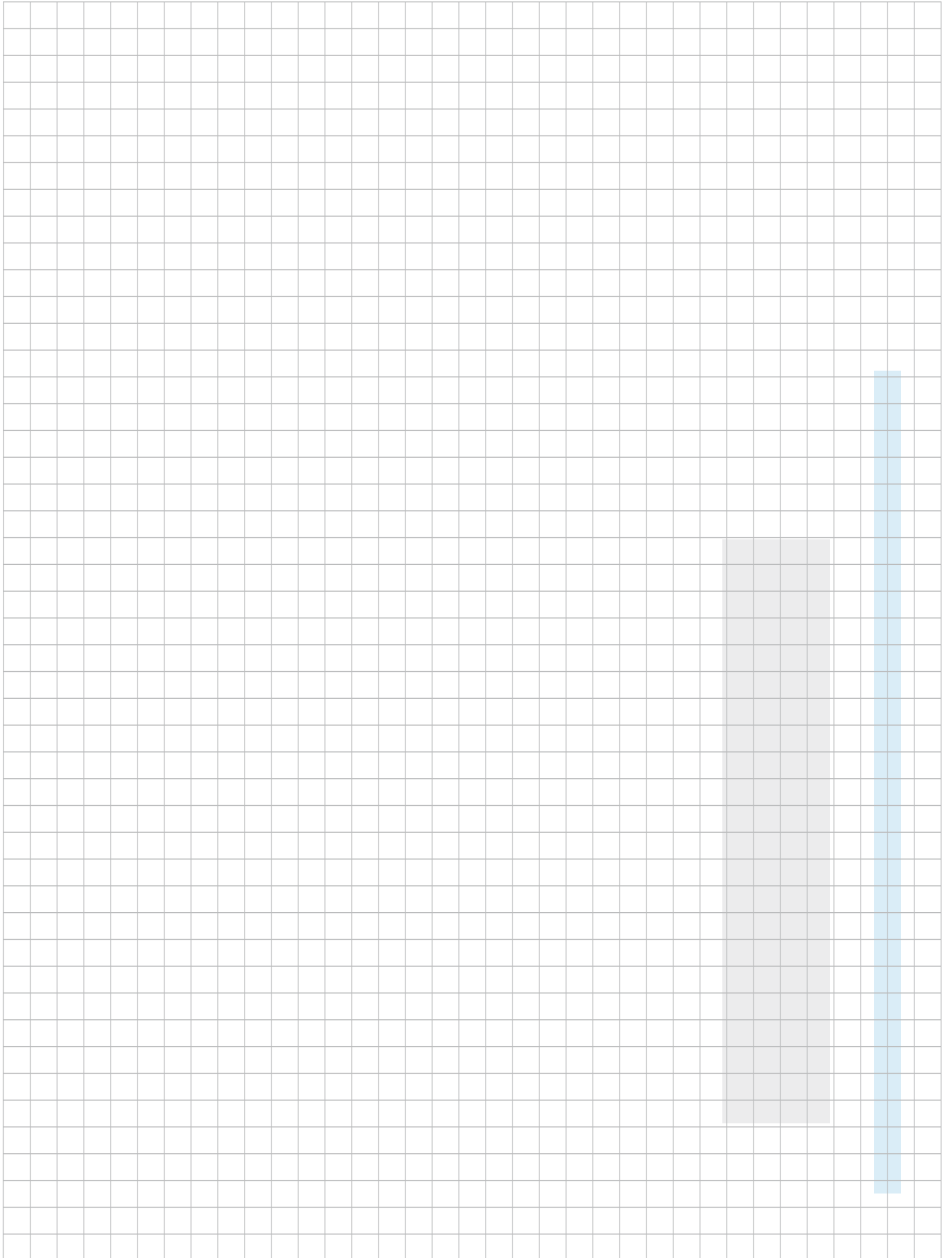


### WARRANTY PLUS+12

ART. NO.  
4259

12 months extended warranty (following the legal warranty period of 12 months), not on wear parts – warranty 1 year on parts

# NOTES



# SAW BLADE GUARDS

**NOW AVAILABLE AGAIN!**

We continue to sell the well-known saw blade guards for all sliding table saws. You can also retrofit your existing sliding table saw with our guards.



Narrow guard with mounting rail

## **GUARD NARROW WITH MOUNTING RAIL FOR CIRCULAR SAWS WITH RIGID BLADE**

For circular saw blades up to  $\varnothing$  300 mm  
Art. No.: 2064

For circular saw blades up to  $\varnothing$  400 mm  
Art. No.: 2065



Wide guard with mounting rail

## **WIDE GUARD WITH MOUNTING RAIL FOR CIRCULAR SAWS WITH TILTABLE BLADE**

For circular saw blades up to  $\varnothing$  300 mm  
Art. No.: 2026

For circular saw blades up to  $\varnothing$  400 mm  
Art. No.: 2028

## **ACCESSORIES FOR GUARDS**



Infeed roller for the guard



Insertable suction nozzle

### **Plug-in extraction nozzle $\varnothing$ 80 mm**

suitable for narrow and wide protective hoods  
Art. No.: 2081

### **Infeed roller for guard**

complete  $\varnothing$  400 mm  
Art. No.: 2021

### **Infeed roller for guard**

complete  $\varnothing$  300 mm  
Art. No.: 2020

### **Parallelogram**

Size 1 for type 1773F  
Art. No.: 2058

### **Parallelogram**

Size 2 for type 1773F  
Art. No.: 2070

### **Front protection cover crystal clear**

for circular saw blades up to  $\varnothing$  300 mm  
Art. No.: 2034

### **Front protection cover crystal clear**

for circular saw blades up to  $\varnothing$  400 mm  
Art. No.: 2031

# POWER FEEDER 76

**SUITABLE FOR ALL  
SLIDING TABLE SAWS  
OF ANY MANUFACTURER**

For use on table saws and sliding table saws of various manufacturers. For safe cutting of battens, planks, window scantlings etc. made of solid wood. Equipped with adjustable mounting profile, 3 feed rollers and 2 feed rates. Quick adjustment to workpiece height via handwheel. Suction port for dust-free working, including connection plug, with rail for fixing height of 18–40 mm and clamping plate at the fence of 20–30 mm, as well as with integrated electric safety magnet system as anti-tilt device.

**Simple and quick (tool-free) disassembly/assembly on the circular saw fence instead of the aluminium profile.**

Optimum view of the workpiece due to transparent swivelling guard and thus ergonomic work when cutting battens.

#### TECHNICAL SPECIFICATIONS

Drive rollers	3 pieces
Rollers	ø 110 mm
Roller thickness front	50 mm
Roller thickness centre	20 mm
Roller thickness rear	50 mm
Centre distance	200 mm
Feed speed	13 + 26 m/min
Drive	0.14 kW
Workpiece height max.	80 mm
Workpiece length min.	200 mm
Suction nozzles	ø 80 mm



Circular saw power feeder 76: Feeding rollers in detail

#### CIRCULAR SAW POWER FEEDER 76

 approx. 30.0 kg  400 V / 50 Hz

**Circular saw power feeder 76**  
Art. No.: 2078

#### ACCESSORIES

 approx. 100 g **Feed roller 110 x 20 mm**  
(middle roller)  
Art. No.: 4101

 approx. 300 g **Feed roller 110 x 50 mm**  
(front and rear roller)  
Art. No.: 4102

**Adapter rail for third-party products**  
on request

**FOR MORE SAFETY  
WHEN SAWING NARROW  
AND SHORT PARTS.**



 Watch user video:  
[https://youtu.be/eW\\_VC4tgbLQ](https://youtu.be/eW_VC4tgbLQ)

**PANHANS**



# ACCESSORIES

Future-oriented work provides for occupational safety on machines, health at work and safety for personnel. The profitability of a company depends on healthy employees who can work effectively,

safely and optimally. Various accessories from SI-TEC optimise work processes and workstations in the long term.



## PUSH HANDLE 2390

To prevent accidents on circular saws, planing machines and so on. Self-made push pieces can be individually adapted in their shape to the workpiece. Points penetrating deep into the wood guarantee a secure hold of the handle.

 approx. 600 g

### Push handle 2390 single

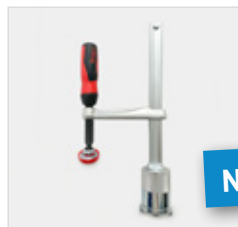
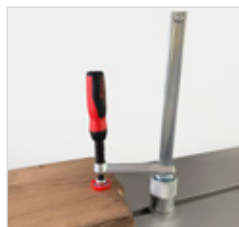
Art. No.: 3328

### Push handle 2390 2-piece set

Art. No.: 3327

### Push handle 2390 5-piece set

Art. No.: 3330

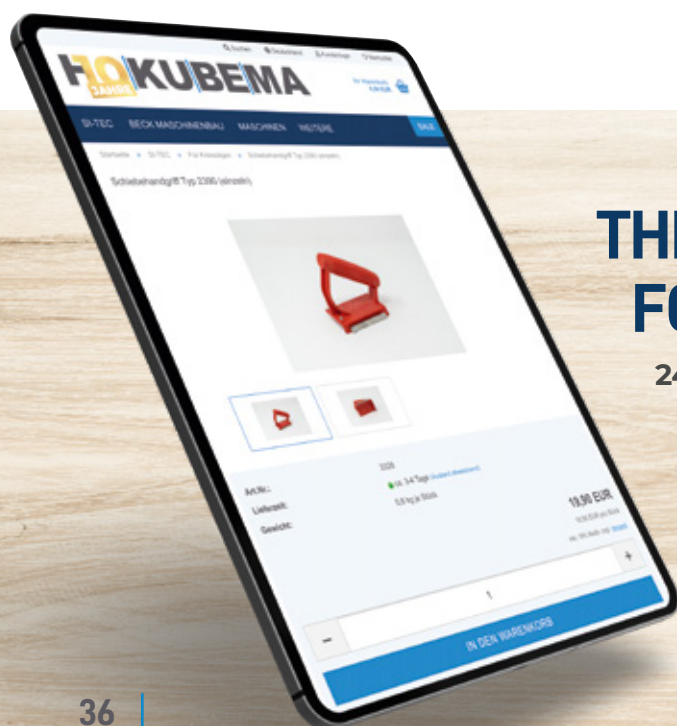


NEW

## CLAMP FOR SLIDE TABLE

### Clamp for slide table

Art. No.: 3362



## THE NEW ONLINE SHOP FOR WOOD CRAFTSMEN!

24 hours a day, 7 days a week, 365 days a year: Order equipment, machines, spare parts, consumables, accessories and much more online from the comfort of your home or workshop – without inconvenient opening hours:

 [www.hokubema.com](http://www.hokubema.com)



# MACHINE ACCESS CONTROL

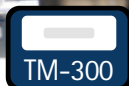


## ELECTRONIC KEY SYSTEM FOR MACHINE ACCESS

The electronic key system is a simple and cost-effective solution for reliable and secure machine access control, which was previously realised with a key switch or password. There are 3 variants, offering the right system for every application. 5 tags (RFID keys) are supplied with each unit of the TM (1x red and 4x blue).

### TECHNICAL SPECIFICATIONS TM-100 AND TM-300

Installation	Panel mounting or surface-mounted housing (aluminium)
Dimensions	72 x 48 x 82.5 mm (W x H x D)
Panel cut-out	67 x 46 mm (W x H)
Installation depth	75.5 mm (without connector plug)
Dimensions of surface-mounted housing	107 x 56 x 110 mm (W x H x D)



### TM-100 WITH 5 AUTHORISATION LEVELS

- TM-100 tags optionally pre-configured with authorisation level 1–5
- 1 digital output (PNP, active high) for administrator access (e.g. as a key switch alternative)
- 4 digital outputs (PNP, active high) for additional machine functions

### TM-300 UNLIMITED NUMBER OF TAGS

- Unlimited number of tags (TM-100 tags can also be taught)
- Database and network connection via Modbus/TCP
- 1 digital output (PNP, active high) for administrator access (e.g. as key switch alternative)
- 4 digital outputs (PNP, active high) for other machine functions (available as an option)
- Modbus/TCP for parameterisation and connection to the network
- Additional serial RS232 interface for error analysis
- Panel-mounted housing (optional surface-mounted housing)



Watch user video:  
<https://youtu.be/LAizrlvbEw>

# PRODUCT OVERVIEW

## SLIDING TABLE SAWS

680|100

NEW



680|200

NEW



690|100

690|200

NEW



V91|10



## TILTING SPINDLE MOULDERS

245|10



245|20



245|100

245|200



245|300



## PLANERS AND THICKNESSERS

334|20, 335|20

336|20



436|100



546|100



## DRILLING MACHINES

116|10



## BANDSAWS

400 – 900



800R-900R



3V



**SIITEC**  
SICHERHEITSTECHNIK

You can find safety technology products in our online shop:  
[www.hokubema.com](http://www.hokubema.com)

- Push stick
- Push handle
- Push block
- APA bandsaw guide
- Bandsaw table insert
- Rubber cork bandages

- Safety rulers and moulding board in set
- Magnetic planer knife quick setters
- and much more ...

# SERVICE CONCEPT

## QUALITY IN EVERY RESPECT

Deeply rooted in our company philosophy is the honest attitude towards customers and business partners, which at the same time forms the basis for a trusting cooperation. In the production of our machines, we always strive to keep the consumption of resources and energy as low as possible and thus make a meaningful contribution to environmental protection. In addition, we are constantly developing our wood processing machines to keep efficiency high and energy consumption low.

In order to guarantee the longevity of a PANHANS machine as well as customer satisfaction, we offer comprehensive service and a wide range of additional services before the purchase and after the investment. Among other things, our service philosophy includes detailed advice and, if required, a machine demonstration in our showroom. In the

showroom, you receive professional instruction, an explanation of the functions and can test all products extensively.

After the purchase, our versatile online shop and our extensive website provide a free service. Tools, accessories and consumables can be ordered easily in the online shop and our website serves as an information platform. Which maintenance and servicing work is required for which machines?

The table on [www.panhans.de](http://www.panhans.de) gives you an overview and helps to optimise the performance of your PANHANS machines.

**PANHANS woodworking machines are sustainably designed and solidly built in Germany.**



### CUSTOMER SATISFACTION

High-quality machines combined with extensive service for long-lasting reliability.



### ENVIRONMENTAL AWARENESS

Innovative machine development for high efficiency despite low energy consumption.



### ADVICE

Qualified and dedicated advice from expert staff from purchase to beyond the scope.



### SERVICES

Extensive and versatile range of services tailored to the needs of the customer.



# HOKUBEMA

Maschinenbau GmbH







Scan QR code and go directly to the  
sliding table saws



**PANHANS**

QUALITÄT SEIT 1918

PANHANS IS A BRAND OF  
**HOKUBEIMA Maschinenbau GmbH**

📍 Graf-Stauffenberg-Kaserne Sigmaringen  
Binger Straße 28 | [Halle 120](#)  
72488 Sigmaringen | Germany

☎ Phone. +49 (0)7571 755-0  
Fax +49 (0)7571 755-222

✉ [info@hokubema-panhans.de](mailto:info@hokubema-panhans.de)

🌐 [www.panhans.de](http://www.panhans.de)

🛒 [www.hokubema.com](http://www.hokubema.com)



MADE IN GERMANY

**HOKUBEIMA**

**PANHANS**  
QUALITÄT SEIT 1918

**SIITEC**  
SICHERHEITSTECHNIK

