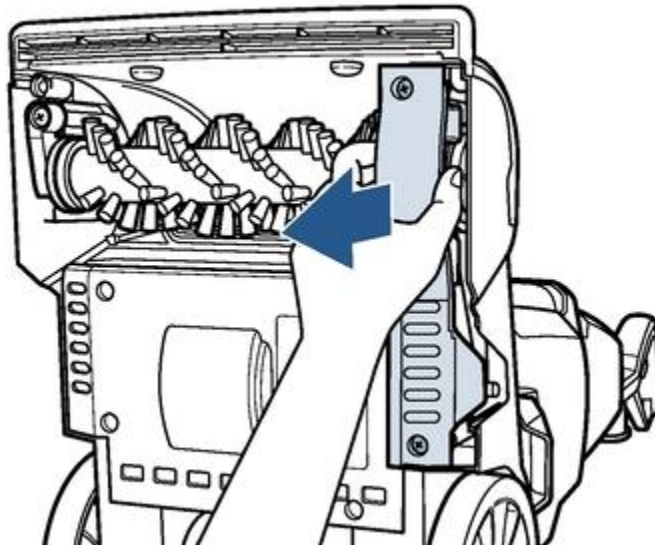
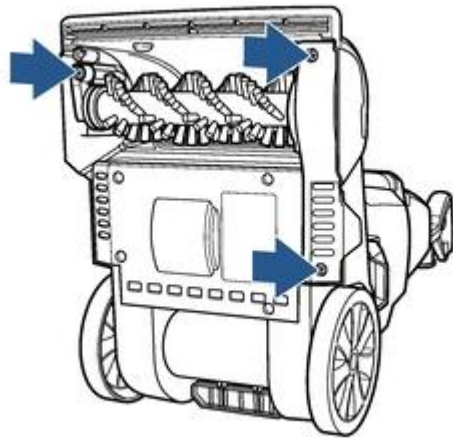
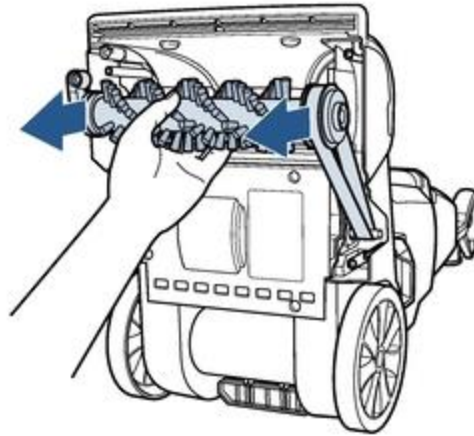


If your brush is not turning it could be due to a broken Belt or a seized Brush Roll, follow these steps to resolve:

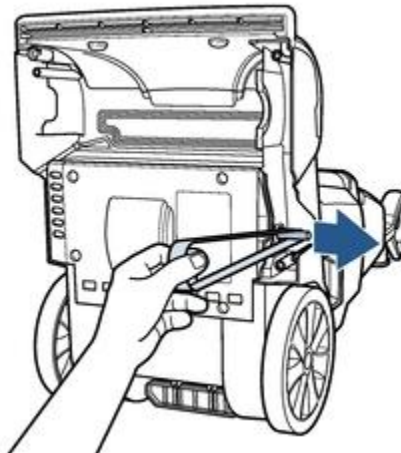
- Turn off and unplug machine
- Use a Phillips-head screwdriver to remove 3 screws, 2 in the belt cover and 1 on the brush roll mount
- Remove belt cover
- Set screws aside



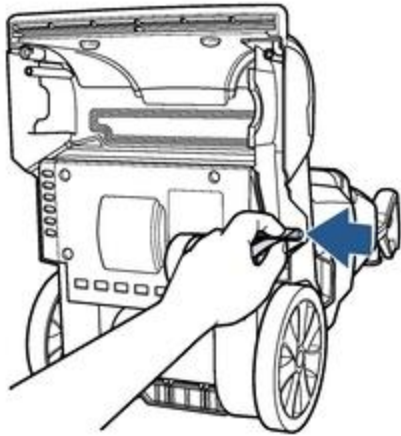
- Pull brush roll out and remove the belt from track



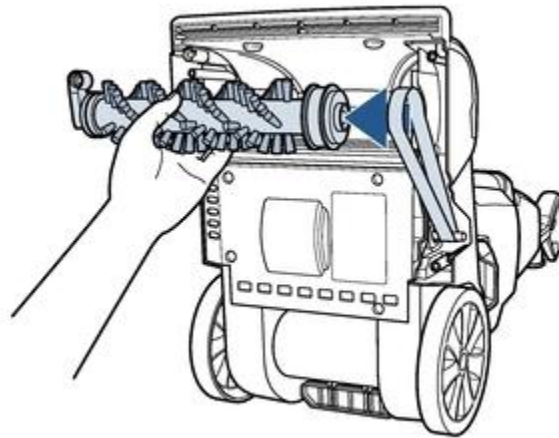
- Remove belt off motor shaft



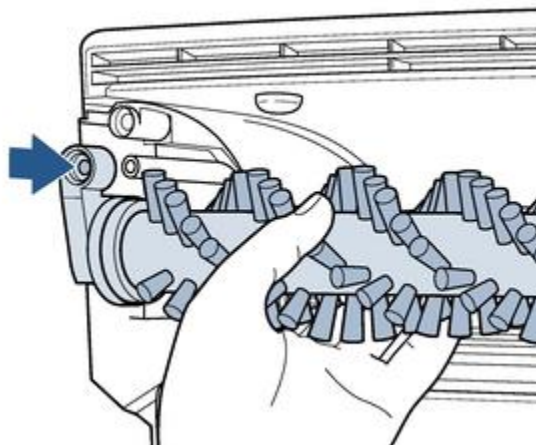
- Inspect belt for damage
 - If damaged, order a new belt > Go to [Parts & Supplies](#)
- Test brush roll by holding one end and spinning the other
 - If brush roll does not spin freely, order a new one > Go to [Parts & Supplies](#)
- Wrap belt around motor shaft



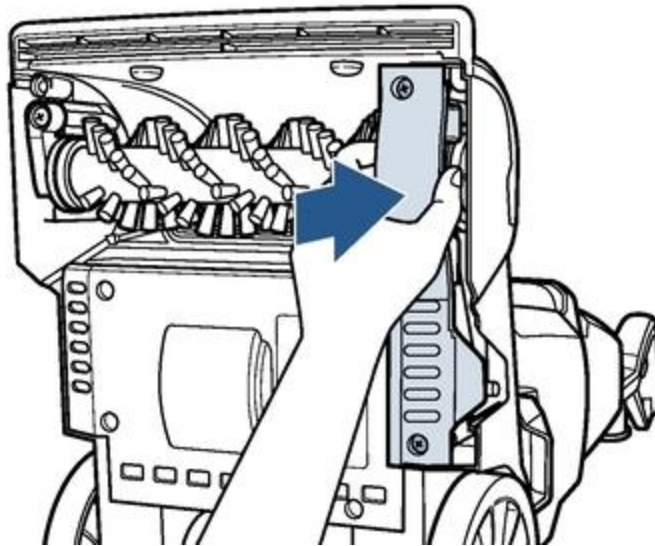
- Put the belt on the brush roll track
- Return the brush roll back to machine



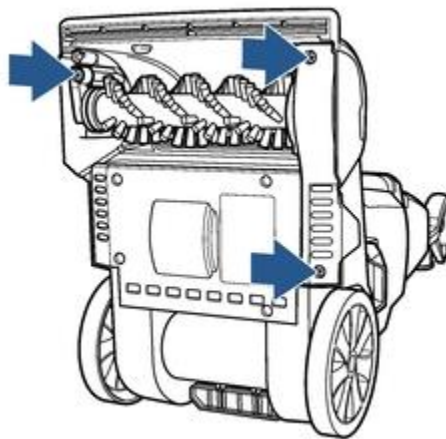
- Align the brush roll mount with the screw post



- Replace brush roll cover



- Reinstall all 3 screws



- Plug machine in and turn on
- Does this resolve your issue?
 - Yes > Great! Glad we can get you back to cleaning
 - No > [**Contact Us**](#)