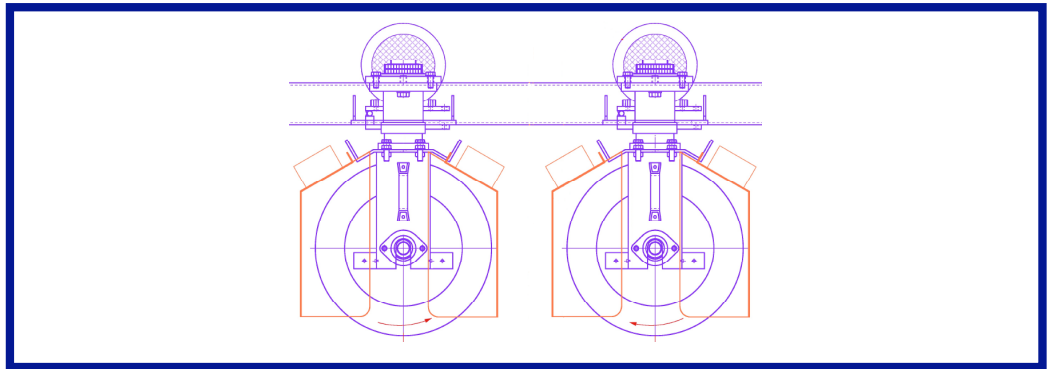


BOERE *information*



BRUSH SANDING MACHINE TOPBRUSH

The brush sanding machine Topbrush is mainly intended for softening and finishing the sharp edges of (profiled) panels. Furthermore the machine can be easily set and used for denibbing. In this way the workpieces will be perfectly prepared for the uniform acceptance of lacquer, stain, oil, and so on, so that customers will realize important savings on these materials.

The Topbrush will always be equipped with sets of two brushes, turning in opposite directions and having electromotive controlled height adjustment. At the same time the brushes can be set in an inclined position along the feed direction and their speeds are infinitely adjustable.

At the moment two models are deliverable, Topbrush 1300 Twin and Topbrush 1300 Quad, both machines in 1300 mm working width.



BOERE MACHINEFABRIEK
BRUGWEG 121
POSTBUS 8
2740 AA WADDINXVEEN

T +31.182-614400
F +31.182-618349
E INFO@BOERE.NL
I WWW.BOERE.NL

 **BOERE**
Perfection in sanding

The Topbrush is a supplement to the existing ranges of wide belt sanding machines and has, as with all Boere models, been based on the modular machine concept with which the appropriate machine can be delivered according to the requirements and wishes of the client.

BOERE *information*

Brush sanding machine Topbrush 1300 Twin

Top working, equipped with 1 set of 2 brush units.

Working width : 1300 mm
Fixed working height : 850 mm
Max. workpiece thickness : 180 mm
Feed speed : 2,5 - 11 m/min

Standard equipment, among others :

- Brushes turning in opposite directions
- Brushes can be set in an inclined position along the feed direction (-7° - 0° - $+7^{\circ}$)
- Electromotive height adjustment per set of 2 brush units
- Frequency controlled feed speed and brush speed with digital read-out
- Brushes provided with sanding lamellae which are quickly exchangeable
- Possible lengths of sanding lamellae 40 - 55 mm

