



TDN

TENONNEUSE

CHAMBON - GUILLIET
THE HACO GROUP

Machine

- Machine with plexiglass protection releasing one tool at a time
- Steel cover balanced by gas springs
- All settings controlled from the outside (withouthood opening)
- Machine with heavy structure and small footprint
- Precision and very easy access to settings with display on 6 mechanical digital counters
- Mobile table of 900 x 500 mm sliding on sockets with balls guided on treated and ground steel bar
- Table equipped with a telescopic aluminum ruler of 1500 mm (2500 mm with extension) tiltable from -45 ° to +45 ° with double stops
- Adjustable cam presser • Standard vertical pneumatic presser
- All suction connections at the top allowing to place the machine against a wall
- Efficient and simple protection by shutters
- Blade working above the worktop
- Carbide blade diameter 415 mm, bore 30 mm
- Horizontal stroke of 150 mm
- Cutting height of 150 mm
- Capacity in front of the saw blade 415 mm
- Suction nozzle diameter 80 mm
- 4 CV motor (3 KW) 3000 rpm

Movement

- Independent adjustment controlled by countersmechanical digital with the possibility of moving vertically the 2 unwinders simultaneously
- Tool diameter 140 mm, length 150 mm
- Maximum length of tenons 150 mm
- Min / max tenon thickness 5/150 mm
- Supplied with 2 insert unwinding tools, 40 mm bore • Motors 2 x 4 CV (3 KW) 4900 rpm
- Suction nozzle diameter : 1 x 0120 mm and 1 x 0150 mm
- Lower unwinder
- Vertical stroke from - 5 to + 60 mm • Upper unwinder
- Vertical stroke 150 mm
- Horizontal stroke from + 40 to - 50 mm

Vertical Spindle

- Spinning top
- Shaft diameter 50 mm for tools max. from 350 mm
- Useful length of the shaft 170 mm
- Vertical stroke of the spindle moulder 270 mm
- Horizontal stroke 170 mm
- Suction nozzle diameter 150 mm
- 5.5 HP motor (4 KW) - 3600 rpm

- Standards CE - 400 V

Versions

TDN 02 - Version 2 End saw, Spindle	16350,00 €
TDN 03 - Version 3 End saw, tenon heads	18335,00 €
TDN 04 - Version 4 End saw, tenon heads, Spindle	21770,00 €
TDN 05 - Version End saw, tenon heads, Spindle, Spindle	29452,00 €

Automatic Axes

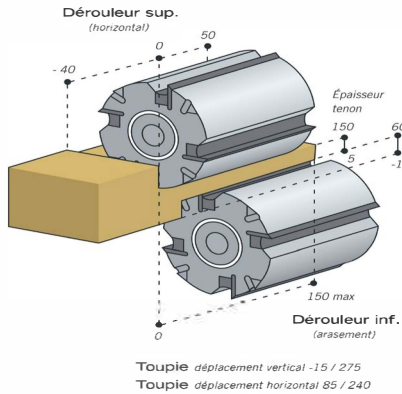
	2 axes	3 axes	4 axes	5 axes	6 axes	7 axes
TDN02	22480,00 €	23815,00 €				
TDN03	24380,00 €	25840,00 €				
TDN04	26502,00 €	27835,00 €	29100,00 €	33855,00 €	35185,00 €	36690,00 € *
TDN05	34915,00 €	36825,00 €	37495,00 €	42410,00 €	43755,00 €	44405,00 €

CHAMBON SAS – 15 rue de l’Eglise – 39190 COUSANCE (France)

Tél : 00 33 (0)3 84 48 95 80 - Fax : 00 33 (0)3 84 85 97 75 - info@woodworking-chambon.com - www.machinesabois.biz

Siret 383 171 378 00037

Automatic axis



Options :

- Saw displacement
- Horizontal top tenon movement
- Vertical top tenon movement
- Horizontal bottom tenon movement
- Vertical bottom tenon movement
- Vertical Spindle Movement
- Horizontal Spindle movement
- Second spindle movement

Options

Tenon :

Two speed motor 3000/6000 tr/min - 5/6.5 HP	1410,00 €
10HP motor spindle upgrade	850,00 €
Variable speed motor (1500-4500 r/min)	1460,00 €
Spindle length - Ø 50 - 300 mm	550,00 €

Various :

Sight cutting device	290,00 €
Laser	1100,00 €
Shoulder pad at the rear, 0 250 mm, 5 HP motor, vertical adjustment by siko counter	3580,00 €
Moving the horizontal lower unwinder (digital control option REQUIRED)	1910,00 €

Stairs :

Stair stringer width 300mm cut at 30 deg.	3120,00 €
Capacity height 200mm	2550,00 €
Saw axis / table guide: 1250mm instead of 660mm	2550,00 €
Saw axis: 550mm instead of 500mm	380,00 €

Tables :

Table extension 1000x1500 mm	550,00 €
Front table extension, telescopic, reinforced	2180,00 €
Lip for short timber, aluminum	350,00 €
Horizontal pneumatic presser	530,00 €
Vertical pneumatic presser	0,00 €
Vertical pneumatic presser, reinforced	1410,00 €
Bridge presser for several woods	1110,00 €
Trolley motorization, variable working speed with fast return	2490,00 €
3 work areas (only if options comdigital control and motorization of the carriage)	920,00 €
Digital display of stops on rule millimeter telescopic	1900,00 €
Electronic encoder table ruler orientation	1510,00 €