

RADIAL
1250 · 900 · 600P3S

RN
900 · 700 · 450

RADIAL ARM SAWS

WOOD be nice.

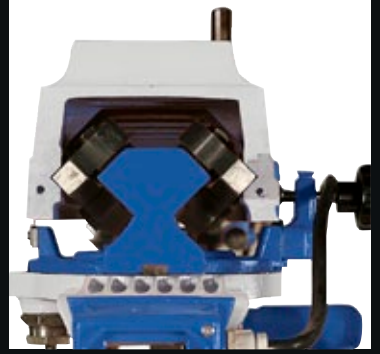


OMEGA

RADIAL 1250 · 900

SERIE RADIAL

Heavy-duty line with cast-iron arm. Easily interchangeable prismatic tracks applied (A); the cutting unit slides on eight bearings (B) each fitted with a dust scraper. Self-centring locking devices for both arm rotation and motor angle. Aluminium fences. Option to mount oil-pneumatic feed.



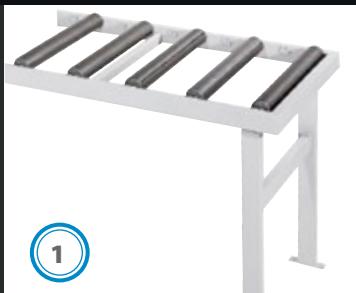
A



B



RADIAL 1250 VERSION CE



1

Roller table (2000 / 3000 mm)



2

Grooving head guard (300x60 mm)



3

Fence extension (1000 / 2000 / 3000 / 4000 mm)



4

Automatic head reversal



5

OPTIONAL



RADIAL 900

Oil-pneumatic feed



Frontal clamp

Front lifting handle (R 900)

Special spindles (Ø 30x60)

Flip-over stop (R 1250 - 900)

Pneumatic flip-over stop (R 1250 - 900)

6



RADIAL 600P3S

SERIE RADIAL

Industrial line with cast-iron arm.
Easily interchangeable prismatic tracks (A); the cutting unit slides on eight bearings (B) each fitted with a dust scraper.
Self-centring locking devices for both arm rotation and motor angle. Wooden fences.
Option to mount oil-pneumatic feed.



A

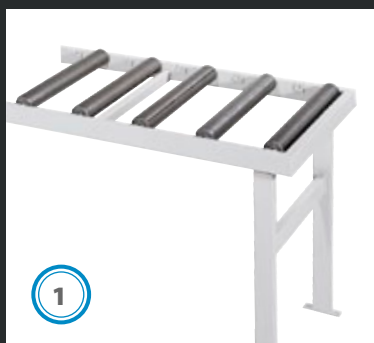


B



RADIAL 600P3S

OPTIONAL



1

Roller table (2000 / 3000 mm)



2

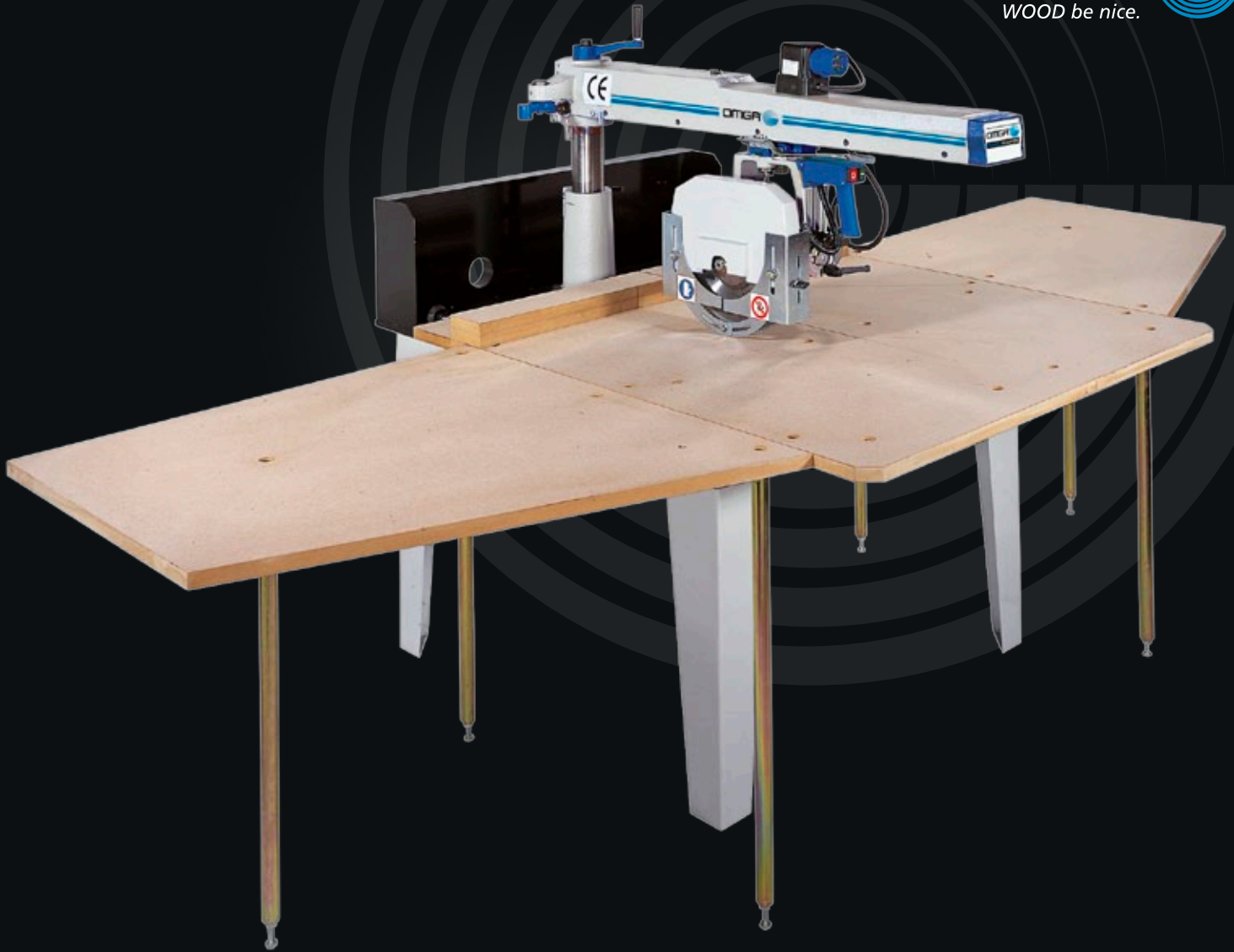
Grooving head guard (300x60 mm)



3

Automatic head reversal

Special spindles (Ø 30x60)

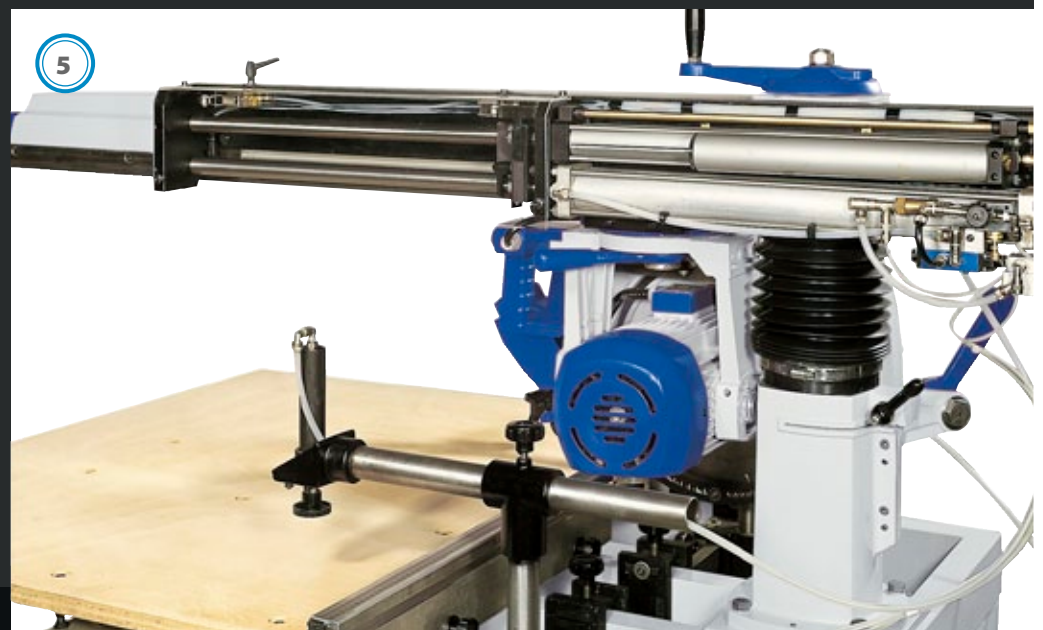


RADIAL 600P3S VERSION CE

Oil-pneumatic feed



Frontal clamp



RN

900 · 700 · 450

SERIE RN

Industrial line with aluminium arm. Interchangeable steel tracks; the cutting unit slides on eight bearings (A) each fitted with a dust scraper. The arm is easily released by means of a lever located on the front of the arm. Self-centring locking devices for both arm (B) rotation and motor angle. Wooden fences.



RN900
VERSION CE



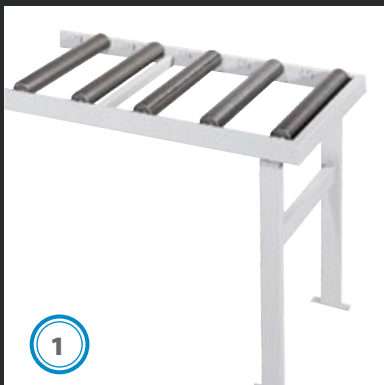
(A)



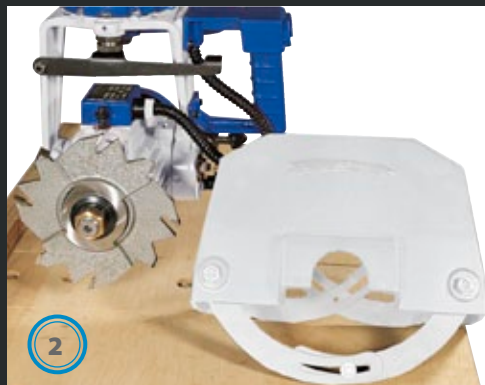
(B)



RN700



Roller table (2000 / 3000 mm)



Grooving head guard (300x60 mm) no CE



Automatic head reversal

| | RADIAL 1250 | RADIAL 900 | RADIAL 600P3S | RN 900 | RN 700 | RN 450 |
|--|-------------|------------|---------------|--------|--------|--------|
|--|-------------|------------|---------------|--------|--------|--------|

| | | | | | | |
|--|----|--------------------|-------------------|-------------------|-------------------|-------------------|
| | mm | A = 30 B = 1250 | A = 34 B = 900 | A = 38 B = 600 | A = 32 B = 900 | A = 32 B = 450 |
|--|----|--------------------|-------------------|-------------------|-------------------|-------------------|

| | | | | | | |
|--|----|---------------------|--------------------|-------------------|-------------------|-------------------|
| | mm | A = 125 B = 1170 | A = 125 B = 825 | A = 90 B = 505 | A = 90 B = 825 | A = 90 B = 390 |
|--|----|---------------------|--------------------|-------------------|-------------------|-------------------|

| | | | | | | |
|--|-----|-------------------|-------------------|-------------------|-------------------|-------------------|
| | mm | A = 400 B = 30 | A = 400 B = 30 | A = 300 B = 30 | A = 300 B = 30 | A = 300 B = 30 |
| | RPM | 3000 | 3000 | 3000 | 3000 | 3000 |

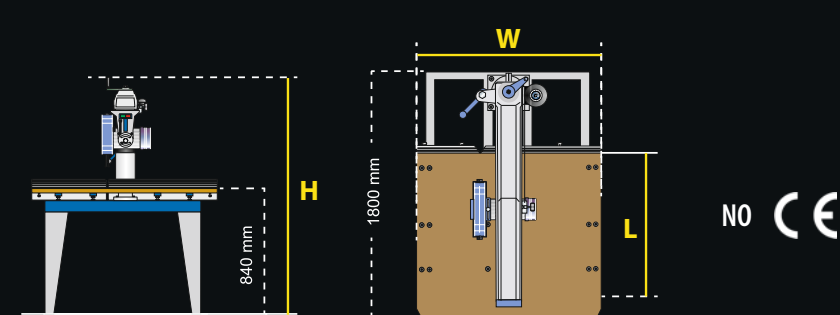
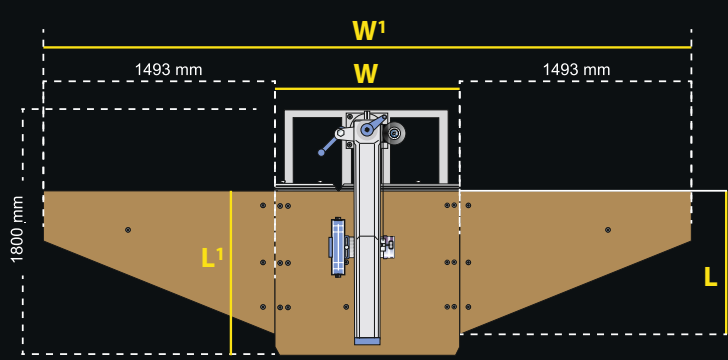
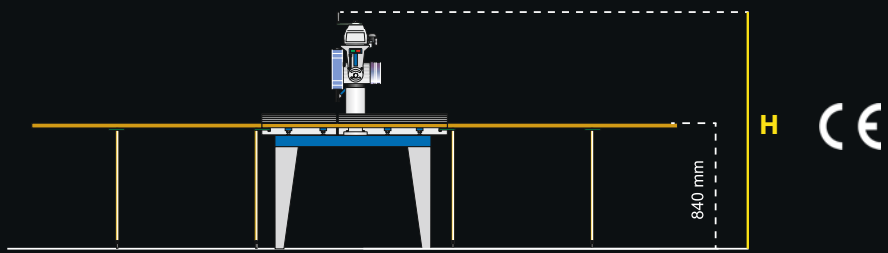
| | | | | | | |
|--|----|-----------|-----------|-----|-----|-----|
| | kW | 3,7 - 5,5 | 3,7 - 5,5 | 2,9 | 2,9 | 2,9 |
|--|----|-----------|-----------|-----|-----|-----|

| | | | | | | |
|--|------|----|----|----|----|----|
| | Ø mm | 80 | 80 | 80 | 80 | 80 |
|--|------|----|----|----|----|----|

| | | | | | | | |
|--|------------|------|------|------|------|------|------|
| | N (newton) | 4165 | 3600 | 1940 | 2110 | 1780 | 1380 |
|--|------------|------|------|------|------|------|------|

| | | | | | | | |
|--|----------|---------------|---------------|---------------|---------------|---------------|--------------|
| | LxWxH mm | 1400x470x2000 | 1230x570x1700 | 1060x550x1570 | 1180x460x1650 | 1060x550x1570 | 900x550x1170 |
|--|----------|---------------|---------------|---------------|---------------|---------------|--------------|

| | | | | | | |
|----|--------------------------|--------------------------|--------------------------|--------------------------|--------------------------|--------------------------|
| | H = 1400 | H = 1500 | H = 1300 | H = 1700 | H = 1700 | H = 1700 |
| | L = 2050 | L = 1800 | L = 1180 | L = 1500 | L = 1300 | L = 1050 |
| | W = 1400 | W = 1200 | W = 900 | W = 1200 | W = 900 | W = 800 |
| mm | W ¹ = 4800 CE | W ¹ = 4170 CE | W ¹ = 2750 CE | W ¹ = 3100 CE | W ¹ = 2750 CE | W ¹ = 2490 CE |



2900204566.01

OMGATECH SRL
 VIA CARPI-RAVARINO 146
 41010 LIMIDI DI SOLIERA
 (MODENA) - ITALY
 PHONE: +39.059.897333
 FAX: +39.059.850276
 COD. FISCALE E P.IVA:
 IT 03237480367

WWW.OMGA.IT



The information and data provided may be subject to modification without prior notice.