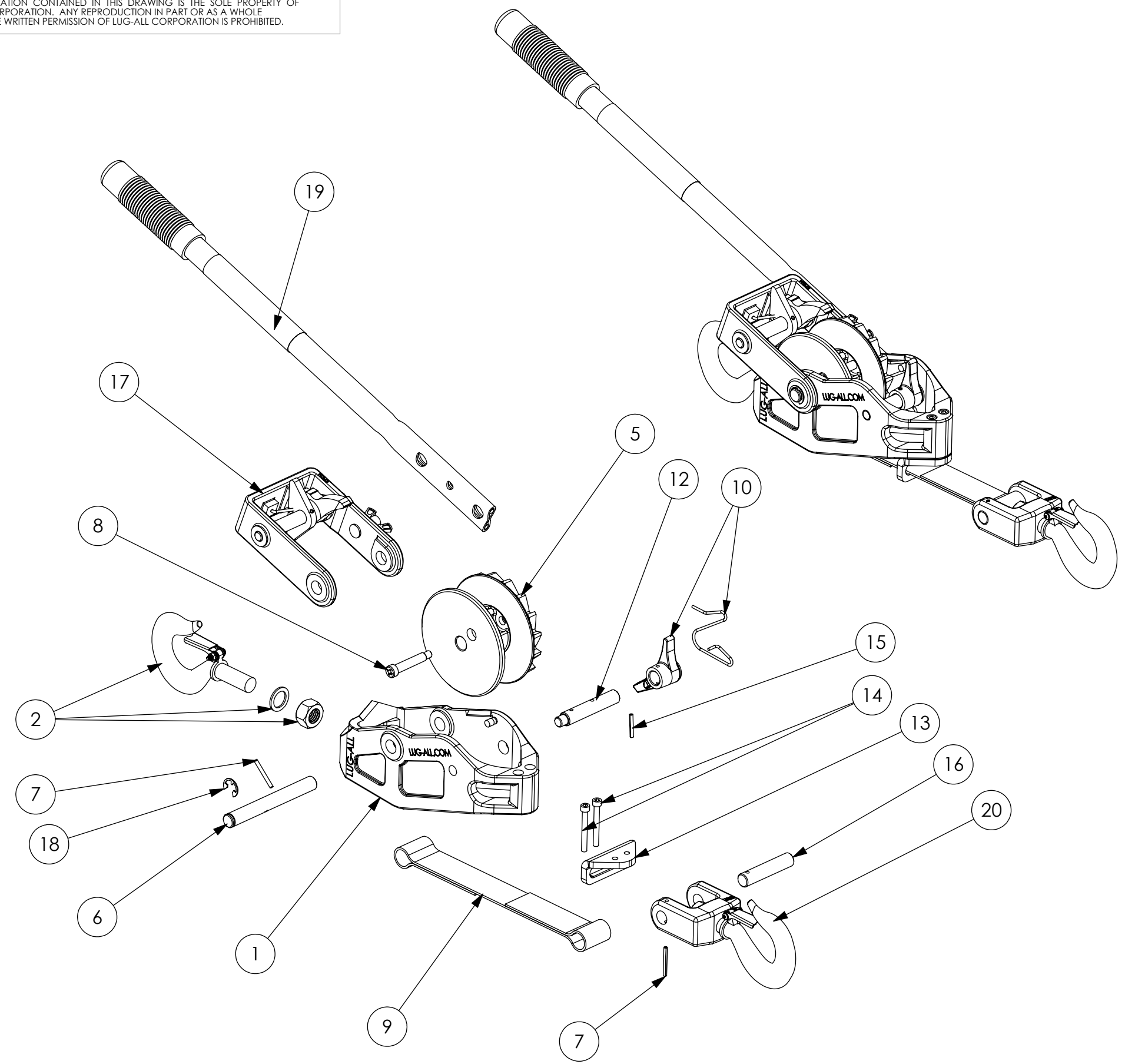


THE INFORMATION CONTAINED IN THIS DRAWING IS THE SOLE PROPERTY OF LUG-ALL CORPORATION. ANY REPRODUCTION IN PART OR AS A WHOLE WITHOUT THE WRITTEN PERMISSION OF LUG-ALL CORPORATION IS PROHIBITED.

D
C
B
A



ITEM	QTY.	PART NO.	DESCRIPTION
1	1	605	MAIN FRAME
	1	202	SPRING ANCHOR & PAWL STOP
2	1	890-RED-K	SHANK HOOK KIT
	1	263	HOOK LATCH REPAIR KIT
5	1	748	DRUM
6	1	344	DRUM SHAFT
7	2	143	ROLL PIN
8	1	607	DRUM ANCHOR SCREW
9	1	949	WEB STRAP
10	1	113-K	MAIN FRAME PAWL & SPRING KIT
12	1	127	MAIN FRAME PAWL SHAFT
13	1	615	WEB GUIDE
14	2	637	WEB GUIDE ATTACHMENT SCREW
15	1	123	ROLL PIN
16	1	618	WEB END SHAFT
17	1	852	U-FRAME ASSY.
	1	343	U-FRAME W/HANDLE BOLT
	1	133	HANDLE BOLT
	1	1076	U-FRAME LABEL
	1	119	WING NUT
	1	293	SPRING SUPPORT ROLL
	1	103-K-852	U-FRAME PAWL KIT
	1	130	U-FRAME PAWL SPRING
18	1	347	RETAINING RING
19	1	146-ENG	REVERSIBLE HANDLE
	1	1075	LABEL, HANDLE
20	1	891-RED	WEB END ASSY.
	1	617	WEB END YOKE
	1	890-RED-K	SHANK HOOK KIT
	1	263	HOOK LATCH REPAIR KIT

8 7 6 5 4 3 2 1