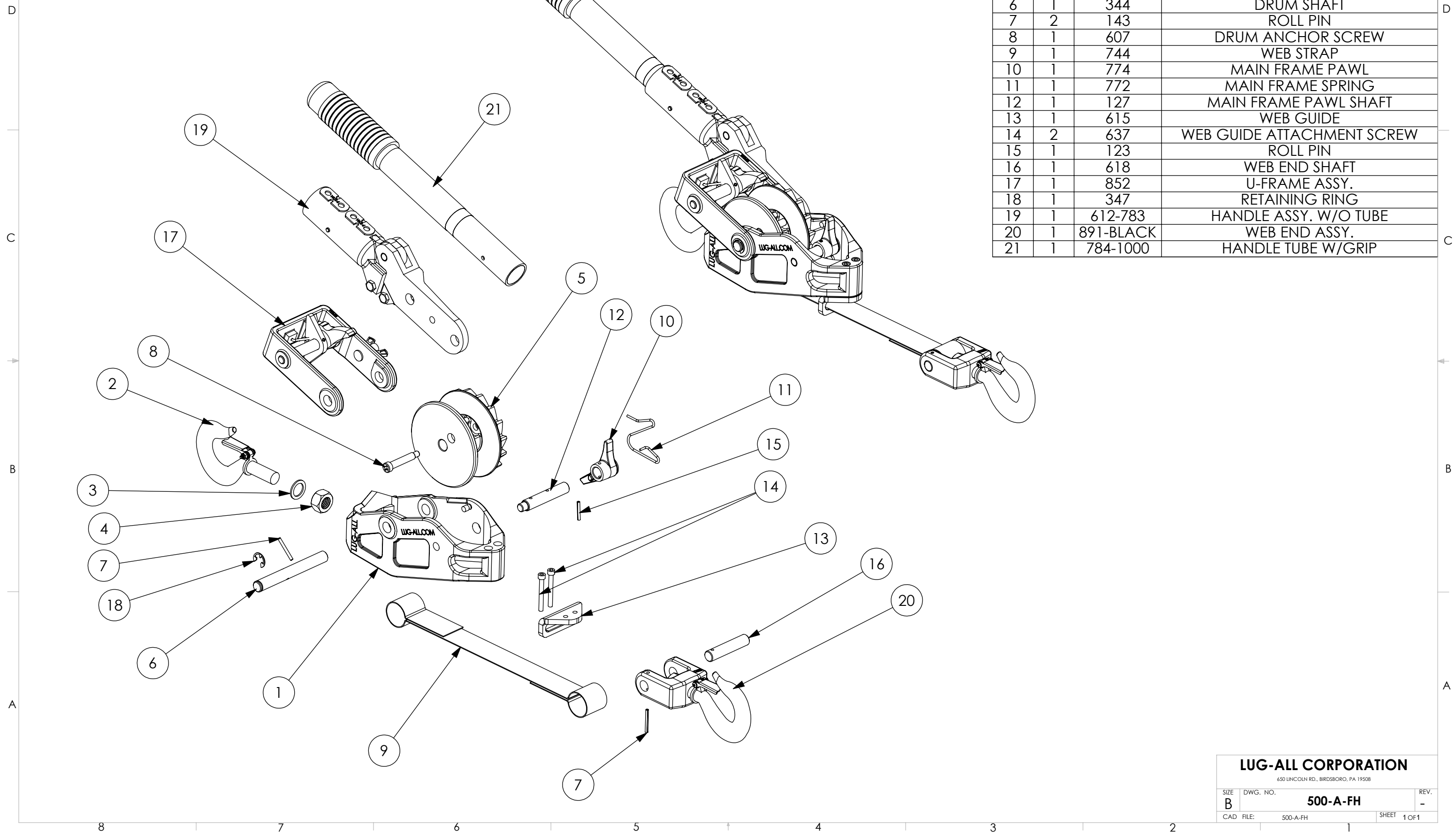


THE INFORMATION CONTAINED IN THIS DRAWING IS THE SOLE PROPERTY OF LUG-ALL CORPORATION. ANY REPRODUCTION IN PART OR AS A WHOLE WITHOUT THE WRITTEN PERMISSION OF LUG-ALL CORPORATION IS PROHIBITED.

ITEM	QTY.	PART NO.	DESCRIPTION
1	1	605	MAIN FRAME
2	1	890-BLACK	SHANK HOOK
3	1	118	HOOK WASHER
4	1	940	HOOK NUT
5	1	748	DRUM
6	1	344	DRUM SHAFT
7	2	143	ROLL PIN
8	1	607	DRUM ANCHOR SCREW
9	1	744	WEB STRAP
10	1	774	MAIN FRAME PAWL
11	1	772	MAIN FRAME SPRING
12	1	127	MAIN FRAME PAWL SHAFT
13	1	615	WEB GUIDE
14	2	637	WEB GUIDE ATTACHMENT SCREW
15	1	123	ROLL PIN
16	1	618	WEB END SHAFT
17	1	852	U-FRAME ASSY.
18	1	347	RETAINING RING
19	1	612-783	HANDLE ASSY. W/O TUBE
20	1	891-BLACK	WEB END ASSY.
21	1	784-1000	HANDLE TUBE W/GRIP



LUG-ALL CORPORATION
 650 LINCOLN RD., BIRDSBORO, PA 19508

SIZE B	DWG. NO. 500-A-FH	REV. -
CAD FILE: 500-A-FH	SHEET 1 OF 1	