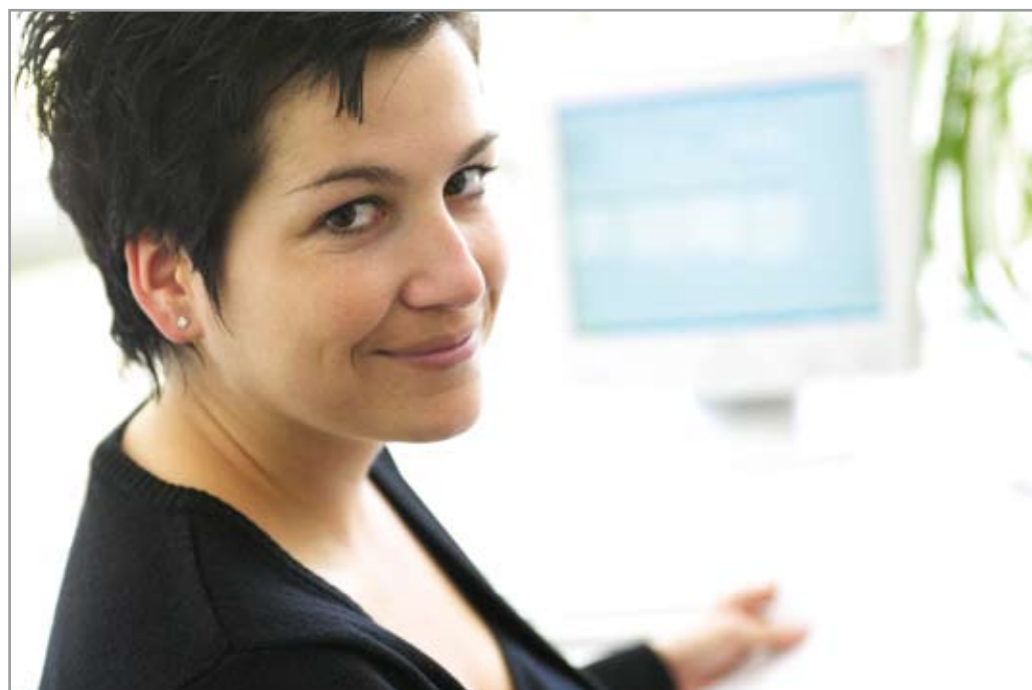


SI-TEC

**Working aids tested in practice
Protective devices for standard machines of all manufacturers**

**Wood processing
on the highest level**



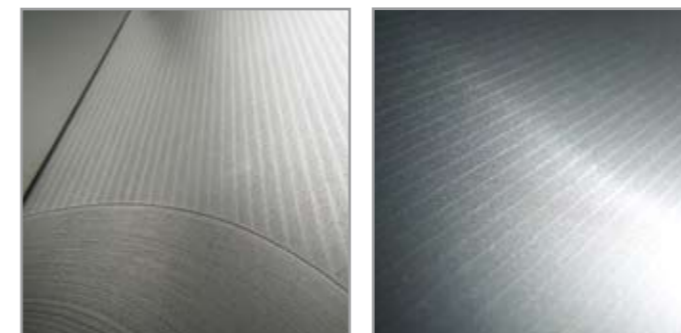
Experience pays off

For more than 50 years, PANHANS has been an important producer of carpentry processing machines, long active around the world. Many patents and global novelties prove developmental power and continuous progress.

We bet on quality.

PANHANS stands for solid German engineering by employees trained for their jobs – from apprentice to master.

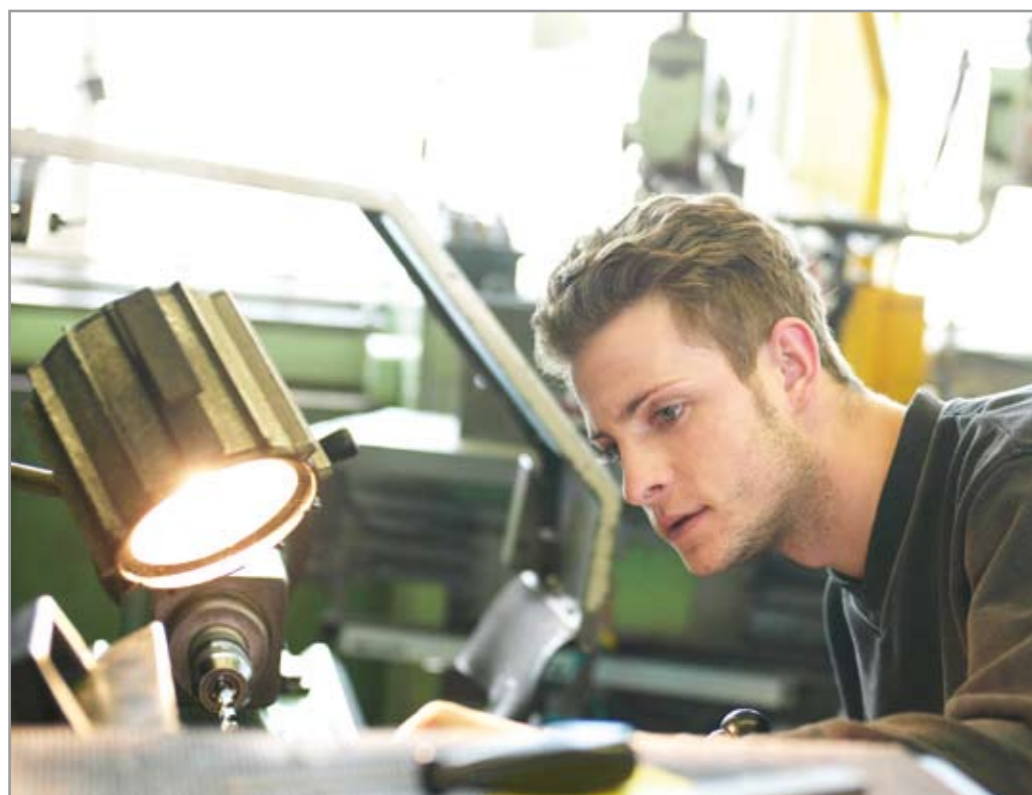
We only use high-quality and reliable materials for our machines.



Strong together

We maintain continuous contact with experienced specialists and regularly exchange experiences with professionals and our customers.

This permits us to keep our product range at the state of the art at all times and to warrant best operating comfort.



Service is most important

Whether it is about information on products, spare parts orders or questions on orders: Service is very important to us! A competent and motivated team is available to you.



Shaping

Shaper fences	6
Swivel devices	6
Shaper, protection and pressure facilities	7
Attachment console	7
Safety stop plates	7-8/10
Safety rulers and hollow board	8
Integral stop	9
Infeed device	10
Bend shaper fences	10-11
Pin cutting and slashing device	11
CONTERMAX	11
Clamping strip	12
Backlash protection	12

Planing

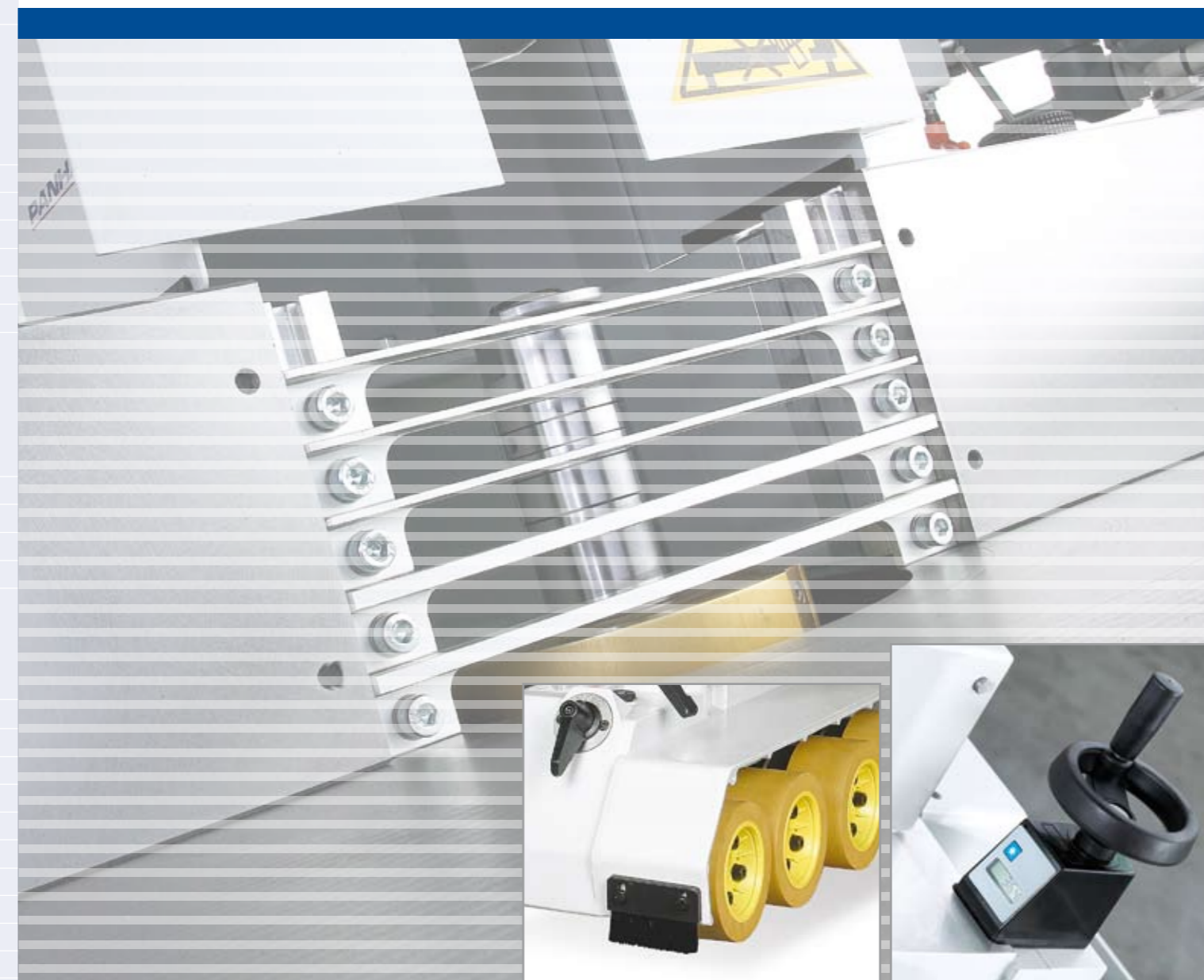
Planing protection devices	14-15
Swing protection	15
Auxiliary stop	16
Thickness table extension	16
Magnetic planing knife quick-setting device	16
Strip planing knife	17
TERSA knife	17
Accessories for knife shafts	18

Sawing

Bandsawing	
Bandsaw guides	20-23
Special oil	20
Ball bearing back rolls	23
Rubber cork bandages	24
Super glue	24
Circular sawing	
Circular saw feeder	26
Work piece holder	27
Circular saw protection	27
Protecting covers	28-29
Sliding handle	30
Sliding rod	30
Safety-Max	30
Safety-Cut	31
Safety-Cut plus	31
Safety-Power	31
Front and rear sawing aid Multi-Cut	31
Riving knives	32-33

Other

Roller block	35
Worktable with swivel device	35



Shaping

Planing

Bandsawing

Circular sawing

Other

Safety shaper fence Type 215

Of cast aluminum, with break-out free alu-splinter tabs, overall stop adjustment by handwheel, maximum tool diameter 250 mm. Simple assembly on a shaper machine table with drilling template, bore distance clamp lever 365 mm.
Net weight: approx. 46,1 kg
With gray-cast iron fence plates

Without fence plates, rest as above

ATTENTION: In Europe, shaper with manual infeed requires a tool cover!
The following are suitable:
Shaper and pressure device Gamma V Type 1629, item no. 2204
Shaper, protection and pressure device Centrex Type 1624, item no. 2007

Item no.



2053

2059

Safety shaper fence Type 216

Of cast aluminum, with break-out free alu-splinter tabs, with bilateral fine adjustment, overall adjustment via hand wheel according to digital display, adjustable to 1/10 mm against the tool. Max. tool ø up to 250 mm. Easy mounting on the shaper machine table with drill template, bore distance clamping lever 365 mm.
Net weight: 46.5 kg
With gray-cast iron fence plates

Without fence plates, rest as above

Fig.: with shaper and pressure device Gamma V Type 1629, item no. 2204

Item no.



2036

2127

Safety shaper fence Type 204

Of cast aluminum, with break-out free alu-splinter tab. Comfort clamp for quick fastening of the shaper fence on the machine table. With bilateral hand wheels for overall adjustment of the fence plates and single adjustment of the stop plate on the right. Reading via 2 digital dimension displays to an accuracy of 1/10 mm. Max. tool ø up to 250 mm. Simple mounting on shaper machine table. With drilling template. Bohrungsabstand 585 mm.
Net weight: 66.0 kg
With gray-cast iron fence plates

Without fence plates, rest as above

1 set adapters for mounting of integral fence plates

Fig.: with shaper, protection and pressure device Centrex Type 1624, item no. 2007

Item no.



4401

4402

2128

Swivel device Type 219

Manually hydraulic
For comfortable and secure lifting and pivoting aside of a PANHANS shaper fence into a neutral position without application of force.
Net weight: 44.0 kg

Item no.



4349

Shaper and protective device CENTREX Type 1624

Fits all shaper fences.
Secure fastening of the work pieces for manual shaping. The special shape of the pressure shoes warrants precise work piece control in all shaper works. Smoothly adjustable horizontally and vertically. Good view of the work piece.

Net weight: 9.5 kg

Item no.
2007



Shaper, protective and pressure device GAMMA V Type 1629

Fits all shaper fences, smoothly adjustable horizontally and vertically, arresting in folded-up position.
Net weight: 7.3 kg

Brackets, if required, must be adjusted on site

Item no.
2204



Mounting bracket GAMMA V

Bracket for mounting of the shaping, protection and pressure device on PANHANS shaper fences.

Item no.
2110



Safety stop plate set Type 208

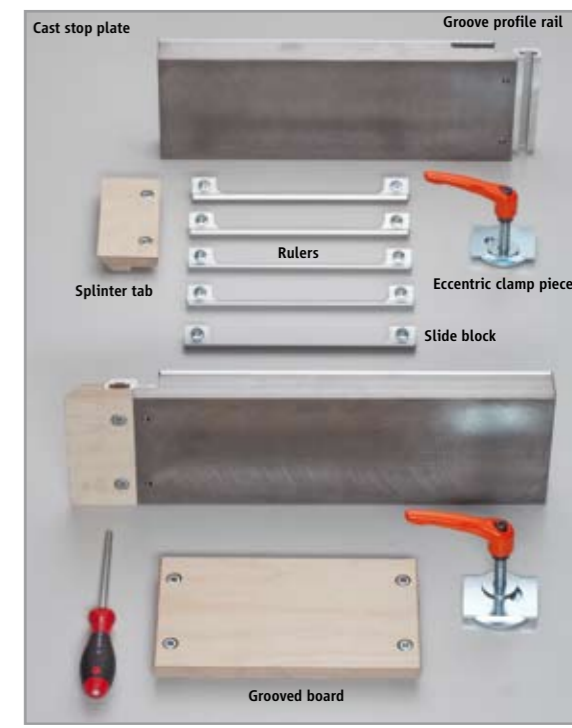
For attachment to present shaper fences.

The set comprises:

- 2 cast stop rails 500 mm length
- 2 groove profile rails
- 2 splinter tabs, wood
- 2 rulers 260 x 6 mm without slide block and screws
- 3 rulers 260 x 3 mm without slide block and screws
- 1 grooved board, wood
- 8 slide blocks, steel, with screws
- 10 slide blocks, twistable, brass, with screws
- 1 Allen key
- 2 eccentric clamp pieces

Total net weight of set: approx. 22.6 kg

Item no.
2083

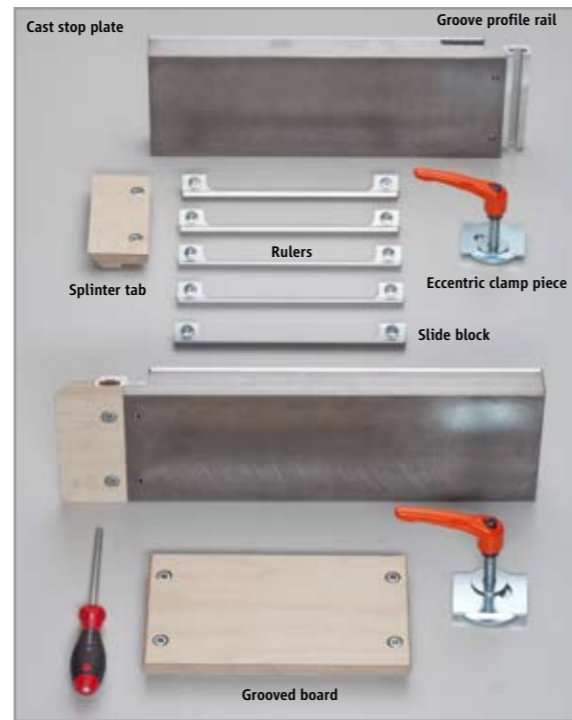


Subject to changes without prior notice!



Spare parts for the safety adapters

		Item no.
Cast stop plate	500 mm long	2095
Groove profile rail		2073
Splinter tab, wood		2087
Splinter tab, aluminum		2038
Ruler without slide blocks and screws	260 x 3 mm 260 x 6 mm	2084 2085
Ruler without slide blocks and screws	300 x 3 mm 300 x 6 mm	2116 2117
Grooved board, wood		2086
Slide block, steel, with screw		2088
Slide block, twistable, brass, with screw		2044
Allen key		2092
Eccentric clamp piece		2062



Safety rulers and grooved board – set

- 1 set = 5 safety rulers comprising:
- 3 rulers 260 x 3 mm
 - 2 rulers 260 x 6 mm
 - 1 grooved board, wood
 - 10 slide blocks, twistable, brass, with screws
 - 4 slide blocks, steel, with screws
 - 1 Allen key

Net weight: 1.3 kg

Item no.
2093



Integral stop

Type 211

For attachment to present shaper fence.

For secure and precise work at table shaper machines. The integral stop offers an uninterrupted guide surface for all shaper work at the tool. Precise adjustment to tool diameter and height is achieved by smooth adjustment. The hardboard coating of the guide rods warrants a continuous guide surface at all times.

Versions

Both halves 500 mm long	net weight approx. 14.7 kg	2120
Left half 500 mm long Right half 650 mm long	net weight approx. 17.3 kg	2121
Left half 650 mm long Right half 500 mm long	net weight approx. 17.3 kg	2122
Both halves 650 mm long	net weight approx. 20.3 kg	2123
1 set adapters for mounting integral fence plates to the mill stop type 204		2128

Spare parts

Floor bridge	2124
Bridge	2125
Axis	2126

Spacer for integral stop

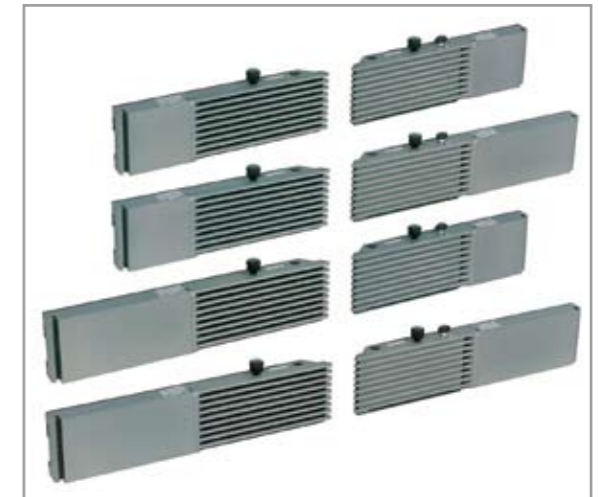
Indispensable for shaping easily tipping work pieces with the integral stop. The spacer is clamped to a groove of the integral stop at the desired height. Net weight: approx. 0.4 kg

Fill rod for integral stop

For secure guidance of thin work pieces at the integral stop. The fill rod closes the lower cutout in the left cartridge of the integral stop, creating an uninterrupted guide surface in this area as well. The surface is tempered with a hard-coat layer.

Net weight: approx. 0.2 kg

Item no.



2120
2121
2122
2123
2128

Item no.
2118



Item no.
2119



Shaping

Planing

Bandsawing

Circular sawing

Other



Aluminum safety fence plates

Type 209

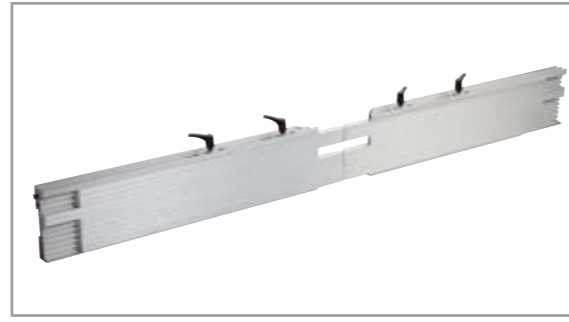
For attachment to present shaper fences with 22 integrated and laterally movable safety rulers (anodized) for an uninterrupted guide surface for all shaper work.

Version

Both halves 500 mm long, 150 mm high
Both halves 650 mm long, 150 mm high

Item no.

2106
2107



Feeder

PV 84

- 4 rollers 120 x 60 mm
- 8 speeds (2/4/5.5/6.7/11/13/16.5/33 m/min)
- Stand with extended boom arm 1050 mm
- Right- and leftward rotation with 2 speeds, switchable via switch
- More speeds adjustable via 2 steps switching gear
- Metal gear for adjustment of another 4 speeds
- Individual horizontal and vertical usage options
- Individual adjustment

Net weight approx. 68.0 kg

Item no.
4023



Special accessories

Spare infeed roller at 2-part rim

Spare infeed roller with vulcanized rim

Item no.

4024

4027

Bend mill stop TAPOA

Type 1639

For accident-safe shaping of curved work pieces on the table mill, for tools up to 160 mm diameter, with pressure and protection ring, start-up ring and stop bar, with fine adjustment of the shaping depth, extraction nozzle 120 mm diameter.

The bend mill stop can be attached and adjusted to any table shaper machine

Work pieces can be processed in left- and rightward operation. The transparent protecting cover permits best view of the tool.

Net weight: approx. 5.5 kg

Item no.
2246



Bend mill stop KOALA

Type 1637

For accident-safe shaping of curved work pieces on the table mill, for tools up to 220 mm diameter, with pressure and protection ring, 2 start-up rings and stop bar, with fine adjustment of the shaping depth, extraction nozzle 120 mm diameter.

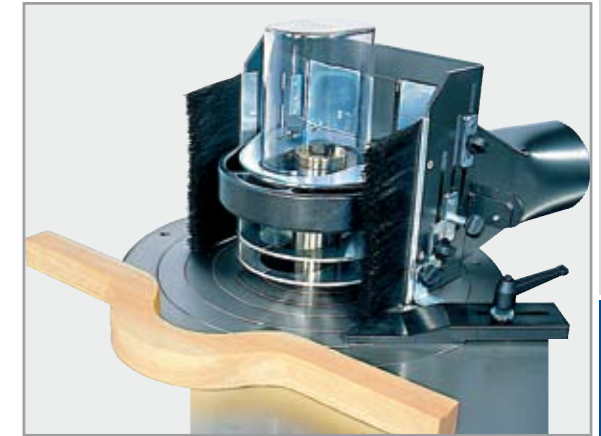
The bend mill stop can be attached and adjusted to any table shaper machine.

Work pieces can be processed in left- and rightward operation.

The transparent protecting cover permits best view of the tool.

Net weight: approx. 11 kg

Item no.
2245



Pin cutting and slitting device

Type 1376

For use on mills, simple mounting on the machine table with stop ruler adjustable to meter.

Length of the base plate 1000 mm

Sliding path 710 mm

Sliding plate size 295 x 255 mm

Net weight: approx. 44.5 kg

Item no.
2221



Recommended accessories: protecting cover type 1641, item no 2235.

Protecting cover

Type 1641

For pin cutting and slot discs up to a max. diameter of 350 mm, strong steel sheet, with adjustable protective lid, with extraction nozzle diameter 120 mm, distance of attachment screws 560 mm.

Net weight: approx. 18.4 kg

Item no.
2235



CONTERMAX

Type 221

For precise and quick profiling of work pieces at the transverse side.

The Contermax permits secure and economic work. Precise work piece guidance achieves high dimensional accuracy. The new clamp permits very fast changes.

Net weight: approx. 1.6 kg

Item no.
3054



Shaping

Planing

Bandsawing

Circular sawing

Other

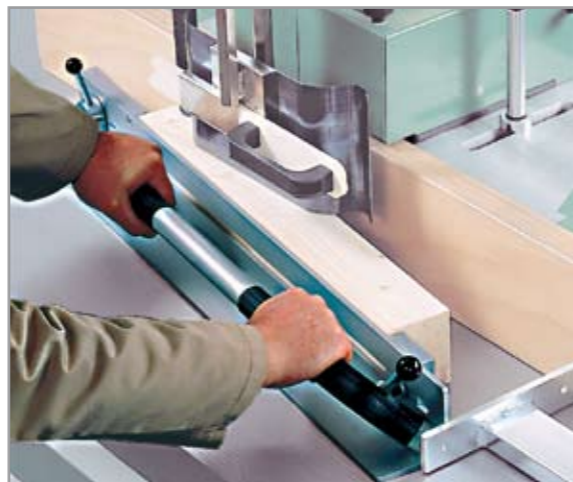
Clamping strip

Type 212

Item no.
3053

For quick and secure insertion shaping of short work pieces.
Stable, light-weight design, aluminum. Length 800 mm, clamp
length 550 mm.

Net weight approx. 3.4 kg



Backlash protection

Type 1648

Item no.
2002

For shaper machines with desktop widening, smoothly adjust-
able from 0 to 1500 mm, for accident-free insertion shaping of
long and short parts.
Delivery, incl. the attachment parts for mounting at present
desktop widenings.

Net weight: approx. 12.4 kg

Recommended accessories: clamping strip type 212, item no. 3053



Shaping

Planing

Bandsawing

Circular sawing

Other



Planing protection device – single part Type 1570

Best hand protection at the planing knife for work without danger. Smoothly adjustable in height, comfortable pivoting aside for tool replacement. The planing protection 1570 can be adjusted to planing width and fastened quickly.

Versions

TXF 500 mm with cover	660 mm	3400
TXF 650 mm with cover	660 mm	3401
TXF 850 mm with cover	660 mm	3402
Adapter for planing protection device TXF 500+650 mm		3380

Optional coverings

Single-part	410 mm	3560
	560 mm	3561
	660 mm	3562
	780 mm	3563

Planing protection device – two-part Type 1570

The two-part version permits comfortable work even with larger work pieces, since there is no interfering edge

Versions

TXF 500 mm with cover, 2-part	400 + 260 mm	3406
TXF 650 mm with cover, 2-part	400 + 260 mm	3407
TXF 850 mm with cover, 2-part	400 + 260 mm	3408
Adapter for planing protection device TXF 500+650 mm		3380

Optional coverings

Two-part	400 + 400 mm	3566
----------	--------------	------

Type		TXF 500	TXF 650	TXF 850	
A	mm	500	650	850	
B	mm	40	40	40	
C	mm	410	560	660	780
Knife shaft width	mm	290	440	540	660

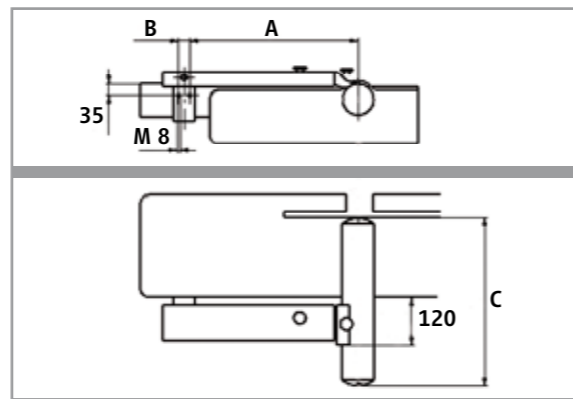
Spare parts

Gas spring for TXF 500/650	300 N	3567
Gas spring for TXF 850	400 N	3568

Item no.



Item no.



Item no.



Self-acting swing protection Type 1560

The accident-protection device for surface and combined surface and thickness planing machines. This device offers the benefit that the material to be processed is pressed to the stop independently. No adjustment is required, and the device is space-efficient.

Versions

Size b = for planing width 410 mm	Net weight approx. 2.4 kg	4111
Size c = for planing width 510 mm	Net weight approx. 2.8 kg	4112

Spare parts

Link carpet 410 mm for swing protection type 1560	Net weight approx. 0.9 kg	4182
Link carpet 510 mm for swing protection type 1560	Net weight approx. 1.0 kg	4183
Link carpet 410 mm without mechanic, for type 1560	Net weight approx. 0.6 kg	3446
Link carpet 510 mm without mechanic, for type 1560	Net weight approx. 0.7 kg	3448
Gas pressure spring 410 mm, 300 N for type 1560		4702
Gas pressure spring 510 mm, 400 N for type 1560		4703

Planing protection device Type 1580

Space-saving knife shaft cover with 2-part cover, smoothly adjustable in height up to work piece height of 70 mm.

Planing tool width max. 510 mm

Simple attachment to the machine stand at the height of the knife shaft. Exit table free of interfering edges.

Item no.



Item no.

Item no.
3055



Pivoting auxiliary stop
Type 1545

Item no.
3398

For secure surfacing of narrow work pieces at the surfacing fence.

Matching for surfacing fence length max. 1500 mm.
Simple, toolless folding open and shutting permits immediate use.

Net weight: approx. 2.3 kg

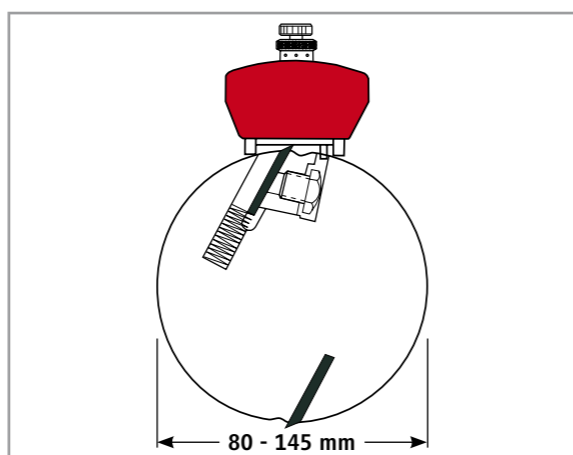


Adjustable magnetic planing knife
quick setting devices
Type 1533

Item no.
2004

With strong magnetic adhesion, planing knife protrusion to 1/10 mm accuracy by fine adjustment, suitable for all knife shaft diameters of 80 to 145 mm.
1 set = 2 pcs in practical wood cartridge

Net weight: approx. 0.5 kg



Thickness table extension
Type 654

Item no.
4496

Robust steel sheet construction for subsequent attachment to thickness planing machines. Automatic height adjustment in connection with the link chain resists highest loads. When planing long work pieces, the pressure beam is relieved and the work piece cannot tilt.

Table size 1000 x 630 mm

Net weight: approx. 44 kg



Strip planing knife
Type 1505

Versions

Proven permanent cutting steel GRANAT

Length	Width	Thickness	Item no.
410 mm	35 mm	3 mm	3304
510 mm	35 mm	3 mm	3306
520 mm	35 mm	3 mm	3320
610 mm	35 mm	3 mm	3307
630 mm	35 mm	3 mm	3308
640 mm	35 mm	3 mm	3309
810 mm	35 mm	3 mm	3377



Versions

HSS Steel (18 % tungsten)* GRANAT RAPID

Length	Width	Thickness	Item no.
410 mm	35 mm	3 mm	3313
510 mm	35 mm	3 mm	3315
520 mm	35 mm	3 mm	3321
610 mm	35 mm	3 mm	3316
630 mm	35 mm	3 mm	3317
640 mm	35 mm	3 mm	3318
810 mm	35 mm	3 mm	3554



* For best performance and longer service lives

Recommended accessories:

- Magnetic planing quick-adjustment devices
- Knife shaft pressure spring

2004
4114

TERSA spare knife

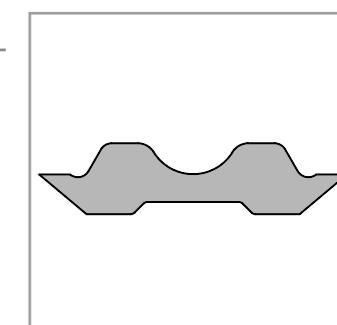
Standard version

Length	Item no.
410 mm	4094
510 mm	4095
520 mm	4097
610 mm	4119
630 mm	4096
640 mm	4098
810 mm	4099



HSS quality version

Length	Item no.
410 mm	4121
510 mm	4122
520 mm	4123
610 mm	4125
630 mm	4126
640 mm	4127
810 mm	4128



For highest output and longer service life

Knife shaft pressure bars

Balanced, with screws R ¼" SW 17, delivered in pairs

Item no.



Length
410 mm
510 mm
520 mm
610 mm
630 mm
640 mm
810 mm

4087
4088
4093
4089
4131
4090
4092

Knife shaft screws

Hardened, R ¼", SW 17

Version standard, height approx. 21 mm

Net weight 0.02 kg

Item no.
4107



Version WIGO, height approx. 19 mm

Net weight 0.02 kg

Item no.
4075

Recommended accessories:
Narrow slot wrench SW 17

4113

Knife shaft pressure spring

For lifting the knives, facilitates simple setting of the knives with magnetic planing knife adjustment devices (item no. 2004).

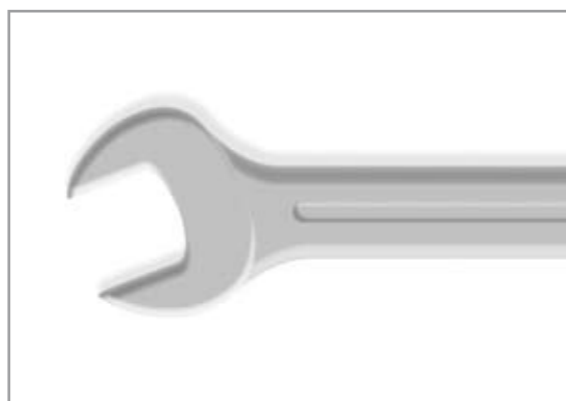
Item no.
4114



Narrow slot wrench SW 17

For knife shaft screws with a width across flats 17 mm
Net weight: approx. 0.1 kg

Item no.
4113



Shaping

Planing

Bandsawing

Circular sawing

Other



Bandsaw guide

APA 2

The core of any bandsaw machine.

Standard design matching any bandsaw

- Hardened back and side rollers fasten the saw knife in the correct position.
- Operator-friendly fine adjustment, serial permanent lubrication, minimum maintenance
- Stable build, smooth and wear-free saw knife guide
- Long service life of the bandsaw knife

Versions

	Net weight	Item no.
Version size 1, top for wheel dia. 300-500 mm and knife widths 3-25 mm	1.1 kg	1248
Version size 1, bottom for wheel dia. 300-500 mm and knife widths 3-25 mm	1.0 kg	1250
Version size 2, top for wheel dia. 600-900 mm and knife widths 5-40 mm	2.1 kg	1254
Version size 2, bottom for wheel dia. 600-900 mm and knife widths 5-40 mm	1.9 kg	1256
For NE processing and difficult to chip wood materials		
Version size 2, top with ball-bearing return roll, wheel dia. 600-900 mm and knife widths 5-40 mm	2.2 kg	1276
Version size 2, bottom with ball-bearing return roll, wheel dia. 600-900 mm and knife widths 5-40 mm	2.0 kg	1277

Special oil

Type 1059

For lubrication of the side and return roll bearings.
For APA bandsaw guide.
Packaging unit = 5 bottles à 20 ml
Net weight: approx 0.1 kg

Regular application increases the service life of the APA guide by a multiple.

PANHANS
by
HOKUBEMA

Item no.



PANHANS
by
HOKUBEMA

Spare parts for bandsaw guides APA type 2

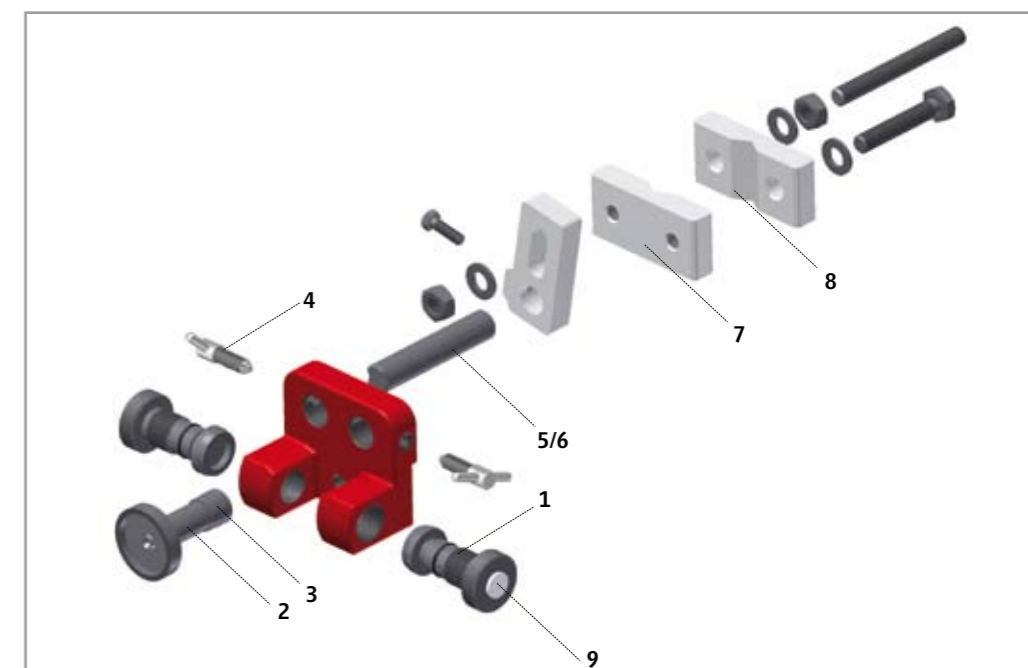
Top guide

Technical data

	Size I	Size II
• Back roller dia	40 mm	58 mm
• Bearing sleeve dia.	16 mm	22 mm
• Back roller bolt dia.	8 mm	10 mm
• Side roller dia.	26 mm	40 mm
• Bolt dia.	8 mm	10 mm
• Bolt length	11 mm	22 mm

ATTENTION:

When ordering spare parts, always indicate the size of the bandsaw guide. It can be determined using the top or bottom back roller or side roller.



Spare parts for bandsaw guides APA type 2

Top guide

Item	Designation	Pc.	Item no. size I	Item no. size II
1	Slide roller, complete*	2	1290	1291
2	Back roller, complete**	1	1046	1047
3	Locking clip	1	1097	1099
4	Tommy screw	2	1182	1182
5	Carry bolt 16 x 120 mm***	1	1146	
6	Carry bolt 22 x 120 mm***	1		1270
7	Clamp front	1	1268	1268
8	Clamp rear	1	1269	1269
9	Locking plug	2	1265	1265

* With bearing sleeve and locking plug

** With bearing sleeve and locking cap

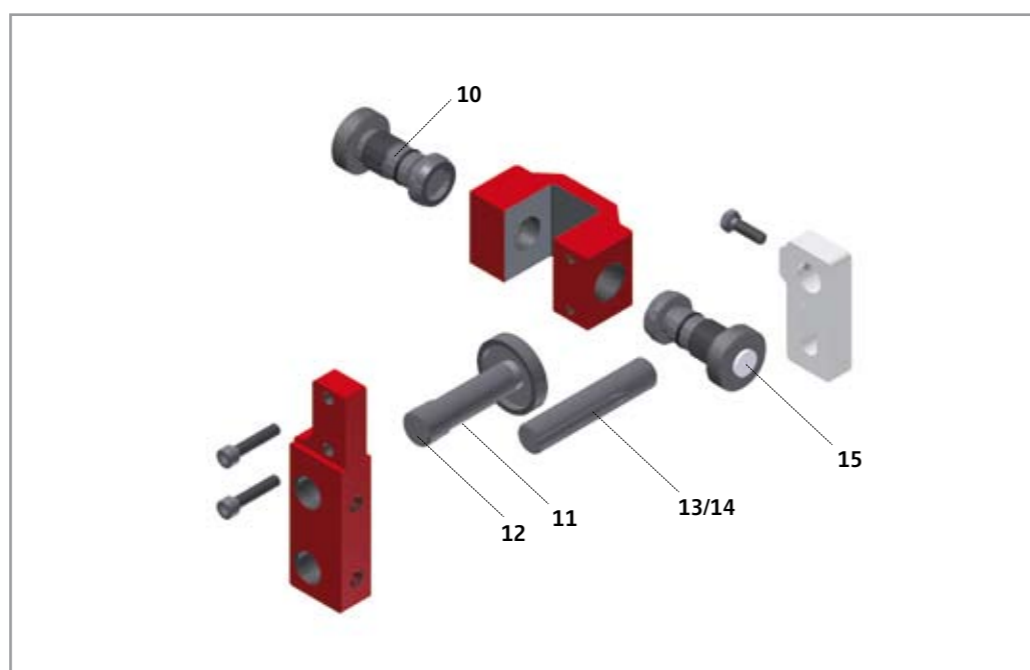
*** Also available in other lengths

**Spare parts for bandsaw guides APA type 2
Lower guide**

Technical data

	Size I	Size II
• Back roller dia	40 mm	58 mm
• Bearing sleeve dia.	16 mm	22 mm
• Back roller bolt dia.	8 mm	10 mm
• Side roller dia.	26 mm	40 mm
• Bolt dia.	8 mm	10 mm
• Bolt length	11 mm	22 mm

ATTENTION:
When ordering spare parts, always indicate the size of the bandsaw guide. It can be determined using the top or bottom back roller or side roller.



Spare parts for bandsaw guides APA type 2 Lower guide

Item	Designation	Pc.	Item no. size I	Item no. Size II
10	Side roller, complete*	2	1290	1291
11	Back roller, complete**	1	1052	1053
12	Locking clip	1	1097	1099
13	Carry bolt 16 x 120 mm***	1	1146	
14	Carry bolt 22 x 120 mm***	1		1270
15	Locking plug	2	1265	1265

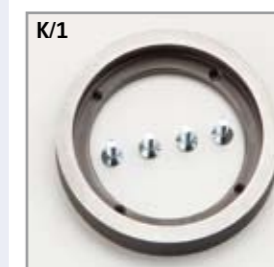
* With bearing sleeve and locking plug
** With bearing sleeve and locking cap
*** Also available in other lengths

**Spare parts
For ball bearing return rollers**

Suitable for cutting NE metals and difficult to chip wood materials

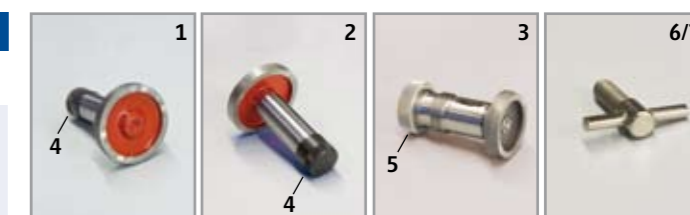
Versions

	Size	Weight (approx.)	Item no.
Ball bearing back roller K/2 top	III	0.40 kg	1168
	IV	0.50 kg	1169
	VI	0.90 kg	1170
Ball bearing back roller K/3 bottom	III	0.40 kg	1171
	IV	0.50 kg	1172
	VI	0.90 kg	1173
Spare running tread K/1 with screws	III	0.05 kg	1174
	IV	0.08 kg	1175
	VI	0.16 kg	1176



**Spare parts for bandsaw guides
APA Type 1055**

ATTENTION:
When ordering spare parts, always indicate the size of the bandsaw guide. It can be determined using the top or bottom back roller or side roller.
Basic body painted green.



Technical data

	0	I	II	III	IV	VI
• Size of the bandsaw guide						
• Back roller dia in mm	28	35	40	58	65	78
• Back roller bearing dia in mm	16	16	16	22	24	30
• Back roller bolt dia in mm	8	8	8	10	12	14
• Side roller dia in mm	22	26	35	40	48	65
• Side bearing sleeve dia in mm	22	16	16	22	22	28
• Side roller bolt dia	8	8	8	10	10	12

Size of the bandsaw guide

Item	Designation	0	I	II	III	IV	VI
1	• Top back roller*	1044	1045	1046	1047	1048	1049
2	• Bottom back roller*	--	1051	1052	1053	1054	1055
3	• Side roller**	1064	1065	1066	1067	1068	1069
4	• Locking cap, top and bottom	--	1097	1097	1099	1100	1101
5	• Lateral locking screw, incl. locking plug	--	1091	1091	1093	1094	1095
6	• Tommy screw, long	--	1181	1181	1181	1181	1181
7	• Tommy screw, short	--	1182	1182	1182	1182	1182

* with bearing sleeve and locking cap
** with bearing sleeve and locking screw, incl. locking plug

Rubber cork bandages

Type 1011

To cover the bandsaw wheels, simple repair work of running linings, ensures calm running and a clean cutting image and extends the service life of the bandsaw blade.

Delivery by the meter

Width	Item no.	Width	Item no.
20 mm	3600.20	50 mm	3600.50
25 mm	3600.25	55 mm	3600.55
30 mm	3600.30	60 mm	3600.60
35 mm	3600.35	65 mm	3600.65
40 mm	3600.40	70 mm	3600.70
45 mm	3600.45	80 mm	3600.80



Customized delivery

For wheel dia.	300 mm	400 mm	500 mm	600 mm	650 mm
Matching length	1000 mm	1320 mm	1620 mm	1950 mm	2150 mm
Width	Item no.	Item no.	Item no.	Item no.	Item no.
20 mm	3612.20A	3612.20B	--	--	--
25 mm	3612.25A	3612.25B	3612.25C	3612.25D	3612.25E
30 mm	3612.30A	3612.30B	3612.30C	3612.30D	3612.30E
35 mm	3612.35A	3612.35B	3612.35C	3612.35D	3612.35E
40 mm	3612.40A	3612.40B	3612.40C	3612.40D	3612.40E
45 mm	--	--	3612.45C	3612.45D	3612.45E
50 mm	--	--	--	3612.50D	3612.50E
55 mm	--	--	--	--	3612.55E

For wheel dia.	700 mm	750 mm	800 mm	900 mm	1000 mm
Matching length	2280 mm	2450 mm	2600 mm	2900 mm	3200 mm
Width	Item no.	Item no.	Item no.	Item no.	Item no.
35 mm	3612.35F	3612.35G	--	--	--
40 mm	3612.40F	3612.40G	3612.40H	3612.40 I	--
45 mm	3612.45F	3612.45G	3612.45H	3612.45 I	--
50 mm	3612.50F	3612.50G	3612.50H	3612.50 I	3612.50K
55 mm	3612.55F	3612.55G	3612.55H	3612.55 I	3612.55K
60 mm	3612.60F	3612.60G	3612.60H	3612.60 I	3612.60K
65 mm	--	3612.65G	3612.65H	3612.65 I	3612.65K
70 mm	--	--	3612.70H	3612.70 I	3612.70K
80 mm	--	--	3612.80H	3612.80 I	3612.80K

Superglue

Type 1014

For gluing of rubber cork bandages on bandsaw wheels.
1 can = approx. 650 g, sufficient for 3 bandages up to 800 mm dia.

Item no.
3213



Shaping

Planing

Bandsawing

Circular sawing

Other



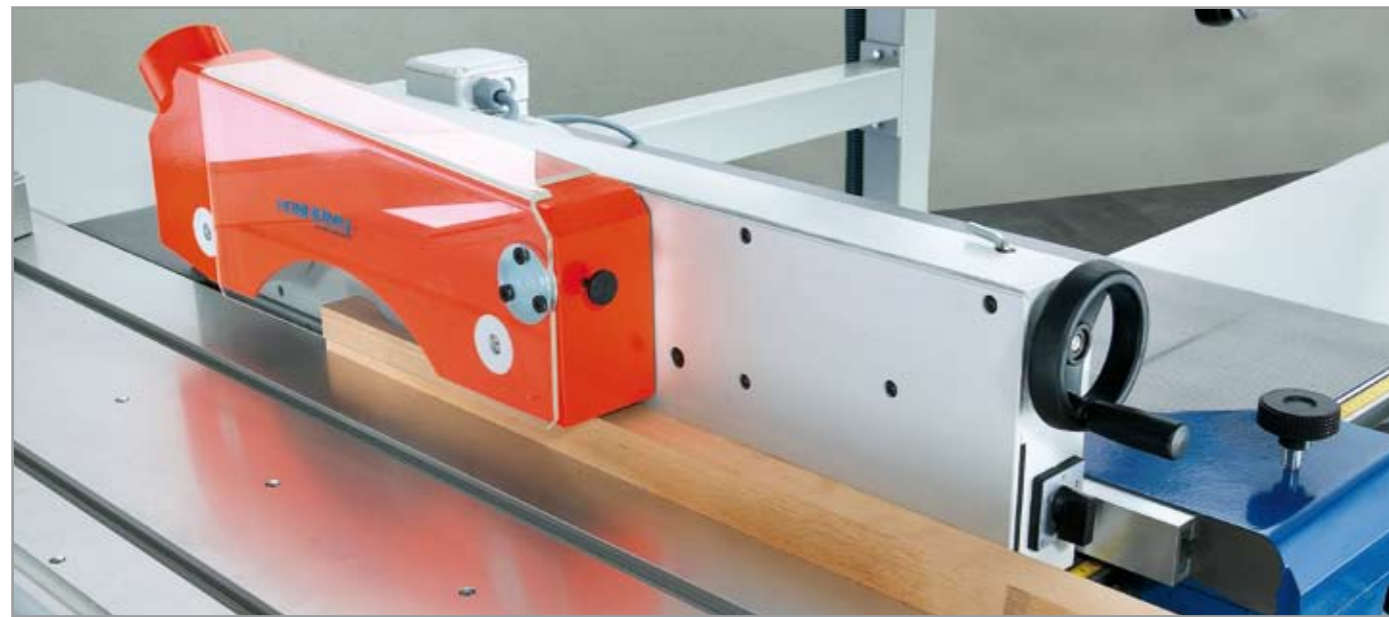
Circular saws - feeder Type 76

Item no.
2078

Can be used for table and format circular saws of different makes, for secure cutting of strips, plants, window scalings, etc. of massive wood, with adjustable intake profile and 3 infeed rollers, 2 infeed speeds, fast setting to tool height via handwheel, with extraction connection for dust-free work, incl. plug, with rail for attachment height of 18 – 40 mm and clamp plate at the stop of 20 – 30 mm, with integrated electr. safety magnet system as tilt protection. Simple and fast (tool-less) assembly/disassembly at the circular saw stop instead of the aluminum profile, best view of the work piece by transparent pivoting protection, ergonomic work when cutting strips. Voltage 400V / 50 Hz



Attachment to the circular saw stop



Technical data

• Drive rollers	3 pcs.	• Infeed speed	13 + 26 m/min
• Roller dia.	110 mm	• Drive	0.14 kW
• Roller thickness front	50 mm	• Max. work piece height	80 mm
• Roller thickness center	20 mm	• Max. work piece length	200 mm
• Roller thickness, rear	50 mm	• Extraction nozzle	80 mm
• Axle distance	200 mm	• Net weight	approx. 30 kg

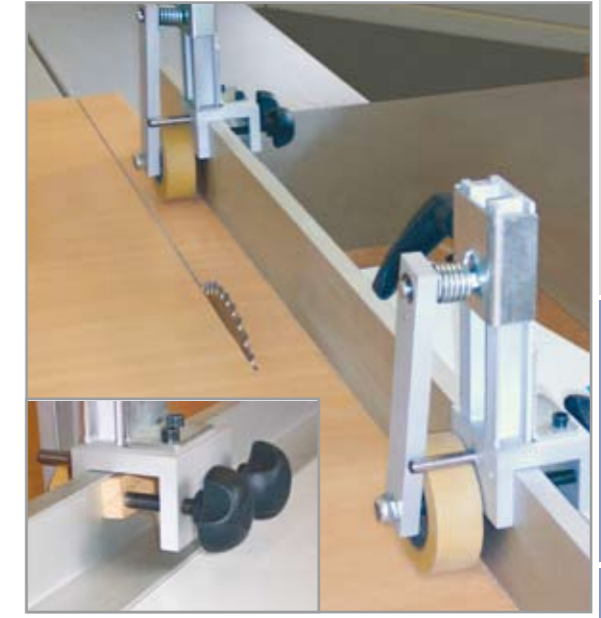
Accessories

Designation	Net weight	Item no.
Infeed roller 110x20 mm (center roll)	0.1 kg	4101
Infeed roller 110x50 mm (front and rear roll)	0.3 kg	4102
Adapter rail for Altendorf format circular saws		6209.0048
Adapter rail for attachment height 30-40 mm and clamp plate at the stop, 30-50 mm		2067

SIMPLY work piece holder

Item no.
2082

For secure and clean lengthwise cutting of narrow parts. With spring-mounted roll, dia. 80 mm. Simple mounting at the aluminum profile of the circular saw stop via star handles. Roller height-adjustable for individual adjustment to the work piece thickness. The work piece holder SIMPLY should be used in pairs.



Circular saw protective device Type 1773F

Item no.

For easy mounting on present circular saw machines

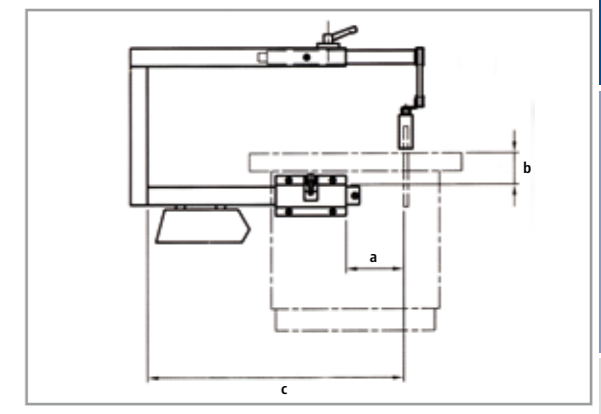
Size 1 Net weight 2056

For small circular saws comprising: Hood carrier, U-attachment adjustable from 450 to 850 mm cutting width, with narrow protecting cover and transparent cover, for circular saw blades up to 300 mm dia. and extraction nozzle 80 mm dia., incl. adapter.



Size 2 Net weight 2080

For format saws comprising: Hood carrier, U-attachment adjustable from 800 to 1250 mm cutting width, with narrow protecting cover and transparent cover, for circular saw blades up to 400 mm dia. and extraction nozzle 80 mm dia., incl. adapter.



Dimensions table	a (mm)		b (mm) best	c (mm) Cutting width
	Min.	Max.		
Size 1	95	640	120	450 - 850
Size 2	355	940	195	900 - 1250

ATTENTION:
According to the machinery directive, a saw blade diameter above 315 mm requires a protective device independent of the riving knife.

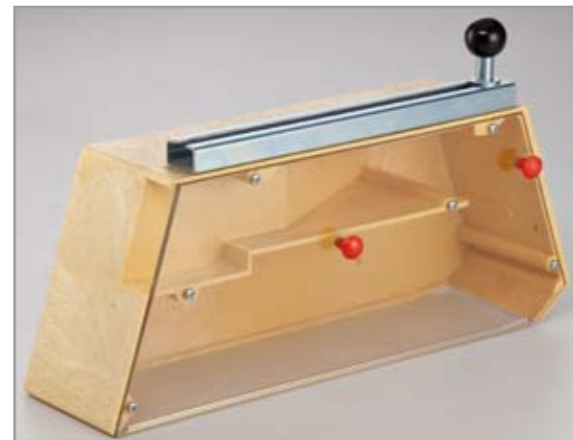
Protecting cover, narrow, with attachment rail for circular saws with stiff blade

Version	Net weight approx.	Item no.
For circular saw knives up to 300 mm dia.	1.6 kg	2064
For circular saw knives up to 400 mm dia.	2.3 kg	2065



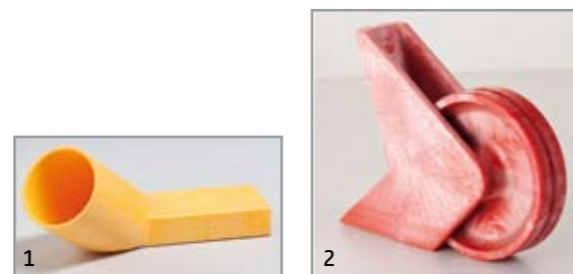
Protecting cover, wide, with attachment rail for circular saws with pivoting blade

Version	Net weight approx.	Item no.
For circular saw blades up to 300 mm dia.	2.1 kg	2026
For circular saw blades up to 400 mm dia.	3.5 kg	2028



Accessories

Item	Designation	Net weight approx.	Item no.
1	Insertable extraction nozzle 80 mm dia. matching narrow and wide protecting cover	0.2 kg	2081
2	Inlet roller zur Schutzhaube, complete dia. 400 mm	0.2 kg	2021
2	Inlet roller zur Schutzhaube, complete dia. 300 mm	0.2 kg	2020
3	Parallelogram size 1 for type 1773/F	3.9 kg	2058
	Parallelogram size 2 for type 1773/F	6.6 kg	2070
	Front protective lid, transparent, for circular saw blades up to dia. 300 mm		2034
	Front protective lid, transparent, for circular saw blades up to dia. 400 mm		2031
	Gas pressure spring for parallelogram size I		0345.0209
	Gas pressure spring for parallelogram size II		0345.0208



Protective cover with extraction connection Type 1794

Item no.

For attachment to the riving knife

Version	Net weight approx.	Item no.
Up to 250 mm dia. for hose 25 mm dia.	0.25 kg	3374
Up to 250 mm dia. for hose 38 mm dia.	0.25 kg	3375
Up to 315 mm dia. for hose 38 mm dia.	0.4 kg	3376



Protective cover with extraction connection Type 1798

Item no. 3301

For attachment to the riving knife

Version	Net weight approx.
Up to 315 mm dia., for hose 60 mm dia.	0.7 kg





Sliding handle Type 2390

To prevent accidents in circular saw, planing machines, etc. self-produced wood blocks may be individually shaped to match the work piece. Tips penetrating deeply into the wood ensure secure hold of the handle.
Net weight: approx 0.6 kg

Packaging unit. 5

Item no.
3330



Pusher stick Type 2391

For secure guidance of narrow work pieces at table and format circular saws. Reduces danger of accidents. Easily chipping plastic protects the circular saw blade. A must-have for every saw. Packaging unit 10 pcs.

Net weight: approx. 1.1 kg

Item no.
3390



Safety-Max

New!

For secure guidance of work pieces to the right of the circular saw blade. Exact placement at the aluminum profile of the circular saw stop means that the operator's hand is always outside of the danger area and danger of accidents is excluded in case of proper application.

Item no.
3365



PANHANS
by
HOKUBEMA



Safety-Cut

New!

2-point support for break-off free sawing

Clamp system for break-off free sawing with the longitudinal stop. Individual auxiliary rods mounted with wood screws from behind or recessed-head screws from the front.

A 2-point support permits easy cutting of bent rods as well.

System comprising:
2 clamp units for alu profiles with a profile width 40 - 100 mm and a profile height of 82 mm and 1 splinter rod and 1 counter rod.

Item no.
3366



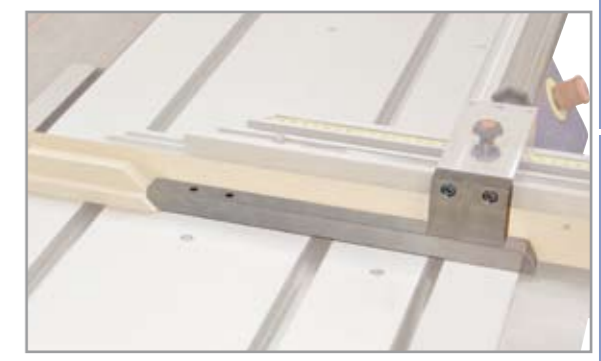
Safety-Cut plus

New!

Stop extension matching the safety cut for cuts to 0 mm with 4 different mitre application surfaces (-45° / +45°, zum beidseitigen Einsatz).

Suitable for secure cutting of short work pieces.
Also suitable as additional clamp rail for splinter rods.

Item no.
3367



Safety-Power

New!

Safety-Power for secure fastening of short and narrow work pieces at the stop, throughout the range of +45° to -45°.

Guide elements adjustable from 19-23 mm groove width.

(recommended in connection with Safety-Cut plus).

Item no.
3368



Front and rear saw aid Multi-Cut

New!

For secure separation, trimming, sawing according to tracing and vertical grooving of solid wood and plate material.

The 3 clamp tips can be used to securely hold solid wood.

The opposing rubber edges permit secure and damage-free fastening of work pieces up to approx 10 mm width.

Simple clamping in the T-groove of the roller carriage by adjustable guide elements of 19-23 mm groove width.
(further widths on request)

Item no.
3364



This is a sensible accessory to complete every format circular saw!

PANHANS
by
HOKUBEMA

Force-guided riving knives

Pursuant to DIN 38820

Also suitable for covered cuts for secure separation of plates and solid wood.

For saws of 100 - 250 mm dia.

Version	Net weight approx.	Item no.
2.0 mm riving knife thickness	0.10 kg	3391
2.5 mm riving knife thickness	0.15 kg	3392

For saws of 250 - 350 mm dia.

Version	Net weight approx.	Item no.
2.2 mm riving knife thickness	0.15 kg	3393
2.8 mm riving knife thickness	0.20 kg	3394

For saws of 350 - 450 mm dia.

Version	Net weight approx.	Item no.
2.5 mm riving knife thickness	0.25 kg	3395
3.2 mm riving knife thickness	0.30 kg	3396

For saws of 500 - 600 mm dia.

Version	Net weight approx.	Item no.
3.5 mm riving knife thickness	0.7 kg	3341



ATTENTION:

The riving knife must not be any wider than the cutting joint width and no thinner than the saw blade basic body.
Work with a riving knife reduces the danger of accidents considerably.

PANHANS riving knives

Type 1772

For saws from 100 - 250 mm dia.

Version	Net weight approx.	Item no.
1.5 mm riving knife thickness	0.05 kg	3349
2.0 mm riving knife thickness	0.08 kg	3350
2.5 mm riving knife thickness	0.10 kg	3351
3.0 mm riving knife thickness	0.10 kg	3360

For saws from 250 - 350 mm dia.

Version	Net weight approx.	Item no.
1.5 mm riving knife thickness	0.05 kg	3332
2.0 mm riving knife thickness	0.15 kg	3352
2.5 mm riving knife thickness	0.20 kg	3353
3.0 mm riving knife thickness	0.25 kg	3354

For saws from 350 - 450 mm dia.

Version	Net weight approx.	Item no.
2.0 mm riving knife thickness	0.15 kg	3333
2.5 mm riving knife thickness	0.25 kg	3355
3.0 mm riving knife thickness	0.30 kg	3356
3.5 mm riving knife thickness	0.35 kg	3357
4.0 mm riving knife thickness	0.35 kg	3323



PANHANS riving knives

Type 1792

With attachment means for extractable protecting cover type 1794/1798

For saws from 100 - 250 mm dia.

Version	Net weight approx.	Item no.
1.2 mm riving knife thickness	0.01 kg	3334
1.5 mm riving knife thickness	0.05 kg	3335

For saws from 200 - 300 mm dia.

Version	Net weight approx.	Item no.
1.5 mm riving knife thickness	0.13 kg	3336
2.0 mm riving knife thickness	0.15 kg	3337
2.5 mm riving knife thickness	0.20 kg	3234
3.0 mm riving knife thickness	0.25 kg	3239

PANHANS riving knives

Type 1797

With attachment means for extractable protecting cover type 1794/1798

For saws from 300 - 315 mm dia.

Version	Net weight approx.
2.5 mm riving knife thickness	0.30 kg





Roller block

Stativ

The practical working aid at all processing machines. Height adjustment is performed simply and smoothly by the centrally attached hand wheel.

With plastic carry roller

Item no.

3271

Carrying capacity 500 kg
Length 700 mm
Height min/max 760/1030 mm
Roller dia. 90 mm



With roller guide on all sides

3276

Carrying capacity 500 kg
Length 980 mm
Height min/max 700/960 mm



Worktable with swivel device

Niveau HS 300 midi - Schwenkmax -

Item no.

3282

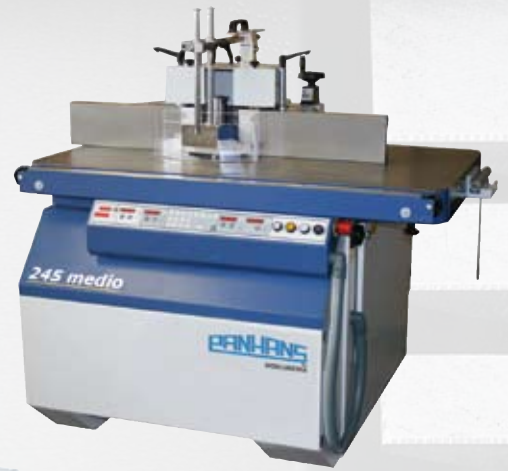
The height-adjustable worktable, equipped with the plate swivel device „Schwenkmax“ facilitates works at format saws.

Handling becomes easier, less strenuous on the back end economically more efficient.

Plates of different formats can be easily moved by one person and swiveled from a vertical to a horizontal position.

Carrying capacity 300 kg
Stroke 610 mm
Construction height 400 mm
Total height 1010 mm
Platform size 1200 x 740 mm





Drilling

Sawing

Shaping

Planing

HOKUBEMA

HOKUBEMA
Maschinenbau GmbH

Anton-Günther-Straße 3 - 7
D-72488 Sigmaringen

Phone +49 7571 755-0
Fax +49 7571 755-222

www.hokubema-panhans.de
info@hokubema-panhans.de