

PANHANS

QUALITÄT SEIT 1918



BSB 400–900

TBS 800 R–900 R

3 WHEEL 3V

BANDSAWS

MADE IN GERMANY

HO|KU|BE|MA Maschinenbau GmbH
Graf-Stauffenberg-Kaserne Sigmaringen
Binger Straße 28 | Halle 120
72488 Sigmaringen | Germany
Phone: +49 (0)7571 755-0
Fax: +49 (0)7571 755-222
info@hokubema-panhans.de
www.PANHANS.de
www.ichbinWOODPECKER.de
www.HOKUBEMA.com



Managing Director: Reinhold Beck
Operations Manager: Alexander Beck

Status: 03|2022

Subject to technical and optical changes.
No liability for errors and altered images.



All versions are GS-tested
and comply with the EC
type examination according
to Directive 2006/42/EC.

MADE IN GERMANY

PANHANS
QUALITÄT SEIT 1918

SIITEC
SICHERHEITSTECHNIK



FOREWORD



REINHOLD BECK,
MANAGING DIRECTOR
(RIGHT IN THE PICTURE)
ALEXANDER BECK,
OPERATIONS MANAGER
(LEFT IN THE PICTURE)

THE FAMILY COMPANY WITH EXPERIENCE

HO|KU|BE|MA Maschinenbau GmbH is a family-owned company that develops and distributes reliable and innovative machines for PANHANS. As a competent specialist company, we offer a comprehensive range of services in the development and manufacture of machines and systems for wood, plastic and metal processing companies. Our traditional company combines many years of knowledge from professional activity with the most modern requirements of today and develops innovative solutions.

Equipped with the most modern machines, we guarantee the conscientious and high quality of our products. Decades of experience and expertise flow into every job. Our quality standards are extremely high in order to achieve the best possible product for you. In compliance with the test criteria, the solid German machine construction is produced in accordance with the regulations. As a successful medium-sized company, we manufacture high-quality machines

with precision „Made in Germany“ at our Sigmaringen site in Baden-Württemberg.

With our machines, we not only want to satisfy you as a customer, but also to make you enjoy working with products from HO|KU|BE|MA. For us, service means that you as a customer are satisfied and can get the information you need in different ways at any time. Sometimes the service by phone, mail or WhatsApp is not enough. In this case we are also happy to offer you our on-site service. A trained and competent service technician will assist you in your workshop. The on-site service also includes maintenance and repair work on the machines, if required. If required, the on-site service also includes maintenance and repair work on the machines.

The longevity of your PANHANS machine is close to our hearts. We see ourselves not only as a service provider and supplier, but much more as the specialist partner at your side.

REINHOLD BECK
MANAGING DIRECTOR

ALEXANDER BECK
OPERATIONS MANAGER

BANDSAWS

MACHINE OVERVIEW

Many users in woodworking do not know how many useful and simple user benefits are hidden behind a band saw. With a band saw, sawing can begin immediately after measuring and marking. The workpiece is held with both hands during the cut. This eliminates the time-consuming clamping of the workpiece in the vice or the attachment of clamps. The thin sawblade as well as the swivelling table top up to 45° made of finely planed grey cast iron enable cuts at a wide range of angles. The sawing out of shapes as well as curved cuts can be carried out precisely. Band-saws from PANHANS are excellently suited for precise cuts and work.



BANDSAWS

400 – 900

EQUIPMENT DETAILS
FROM PAGE 08

OPTIONS + EXTENSIONS
FROM PAGE 12

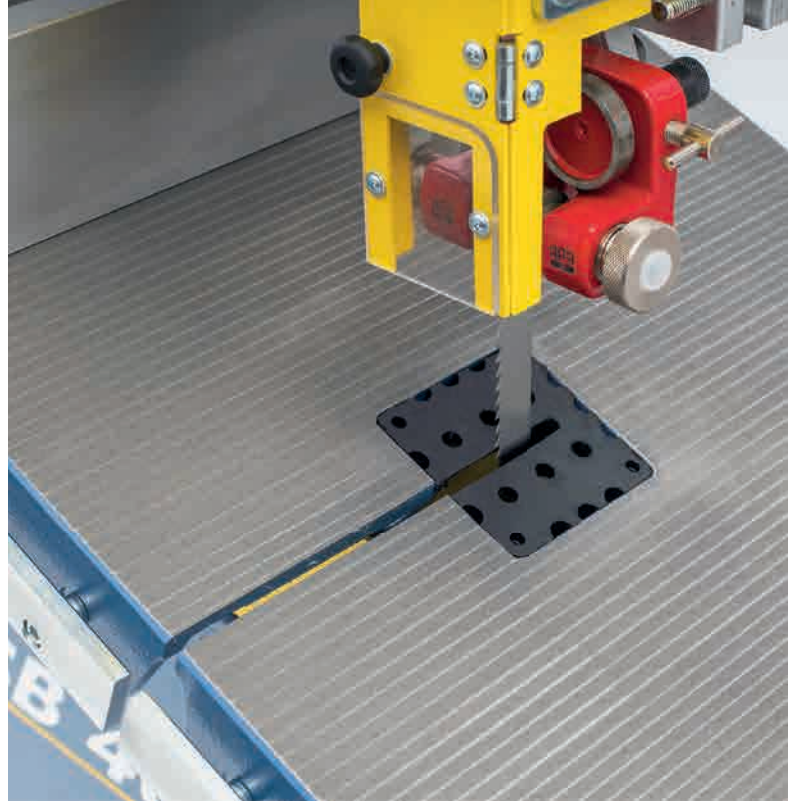
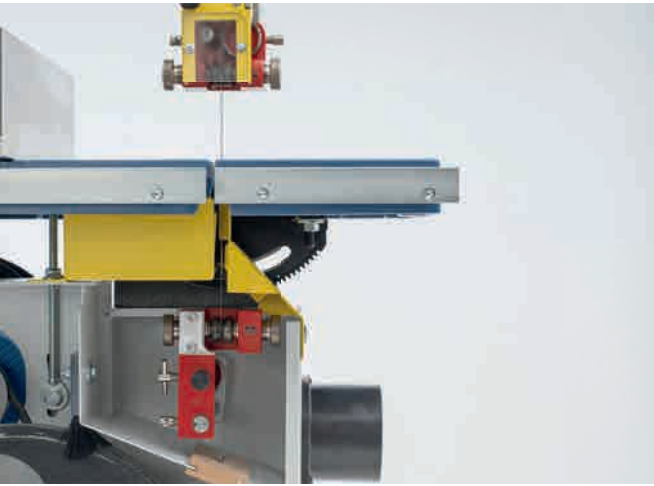


BAND RESAWS

TBS 800 R
TBS 900 R

EQUIPMENT DETAILS
FROM PAGE 16

OPTIONS + EXTENSIONS
FROM PAGE 17



3 WHEEL BANDSAW

3V

EQUIPMENT DETAILS
FROM PAGE 20

OPTIONS + EXTENSIONS
FROM PAGE 21



BSB 400–900



Watch user video:
<https://youtu.be/LyWNaE2NiI>

Bandsaws of the BSB series are available in different sizes and with wheel diameters from 400–900 mm. This allows individual adjustment to different areas of application.

TECHNICAL SPECIFICATIONS	400	500	600	700	800	900
	ART. NO.: 4369	ART. NO.: 4363	ART. NO.: 4364	ART. NO.: 4365	ART. NO.: 4366	ART. NO.: 4367
Wheel diameter	400 mm	500 mm	600 mm	700 mm	800 mm	900 mm
Sawblade speed	1400 m/min	1300 m/min	1550 m/min	1570 m/min	1800 m/min	1720 m/min
Cutting height	205 mm	330 mm	400 mm	420 mm	520 mm	540 mm
Cutting width	385 mm	480 mm	580 mm	680 mm	780 mm	880 mm
Sawblade length max.	3330 mm	4140 mm	4735 mm	5140 mm	5775 mm	6260 mm
Sawblade width						
min.	15 mm	15 mm	15 mm	15 mm	15 mm	15 mm
max.	20 mm	25 mm	30 mm	35 mm	40 mm	40 mm
Optionally with specific cambered wheel Sawblade width						
min.	6 mm	6 mm	8 mm	8 mm	10 mm	10 mm
max.	20 mm	20 mm	25 mm	30 mm	35 mm	35 mm
Sawblade thickness*	0.4 mm	0.5 mm	0.6 mm	0.7 mm	0.8 mm	0.8 mm
Table size	570x420 mm	670x495 mm	810x590 mm	990x695 mm	1145x760 mm	1280x835 mm
Table height	900 mm	900 mm	920 mm	920 mm	930 mm	1015 mm

 Motor power	1.1kW 1.5HP	1.5kW 2.0HP	2.2kW 3.0HP	3.0kW 4.0HP	4.0kW 5.5HP	5.5kW 7.5HP
 Voltage	400V 50Hz	400V 50Hz	400V 50Hz	400V 50Hz	400V 50Hz	400V 50Hz

Sound power level						
Idling**	80 dB (A)	80 dB (A)	80 dB (A)	85 dB (A)	85 dB (A)	85 dB (A)
Machining**	102 dB (A)	102 dB (A)	102 dB (A)	97 dB (A)	97 dB (A)	97 dB (A)
Emission pressure level/workplace						
Idling**	67 dB (A)	67 dB (A)	67 dB (A)	68 dB (A)	68 dB (A)	68 dB (A)
Machining**	89 dB (A)	89 dB (A)	89 dB (A)	89 dB (A)	89 dB (A)	89 dB (A)
Suction nozzle	2 x ø 100 mm	2 x ø 100 mm	2 x ø 100 mm	2 x ø 120 mm	2 x ø 120 mm	2 x ø 120 mm
Net weight	approx. 146 kg	approx. 210 kg	approx. 275 kg	approx. 400 kg	approx. 525 kg	approx. 685 kg

Machine stand in shapely, modern and torsion-free double-chamber welded steel construction

Safety doors secured at top and bottom by safety limit switches

Upper and lower precision bandsaw blade guide APA2 with hardened back and side rollers
 Size 1 (BSB 400/500) and size 2 (BSB 600–900)

Details on APA2: From page 13

Fine-planed work table made of grey cast iron

Machine table can be swivelled up to 45°

Dynamically balanced wheels in solid cast iron design with vulcanised cambered rubber bandages, convex ground

Fence ruler can be used to the left of the sawblade, fence profile can be folded down

Integrated blade tension indicator with viewing window

Mechanical height adjustment of sawblade guard by hand wheel with locking pinion

Energy efficient drive

BSB 400/500:

Push-button switch for start/stop with emergency stop button/motor protection relay; wear-free, electric motor brake.

BSB 600–900:

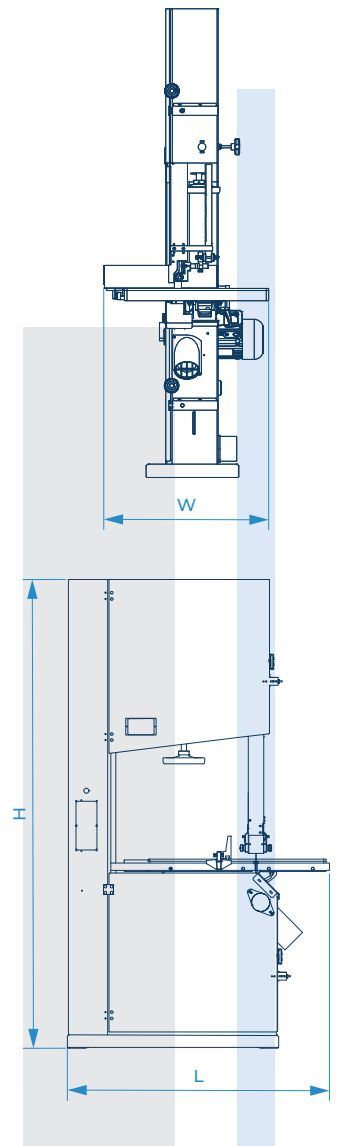
from 2.2kW rotary cam switch with direct starting from 3.0kW star delta starting and emergency stop button; mechanical motor brake with main switch/motor protection relay

*recommended sawblade thickness = 1/1000 of the wheel diameter | **unevenness allowance = 4 dB (A)



HIGHLIGHT SAFETY AT WORK

Extensive safety equipment as well as the robust and functional design enable economical and accident-free work on the bandsaw.



SPACE REQUIREMENT IN MM
Length (L) x width (W) x height (H)

BSB	400	500	600	700	800	900
L	760	930	1130	1260	1450	1590
W	490	550	640	730	900	1010
H	1740	1930	2120	2275	2475	2650



BSB 400

THE SMALLEST OF THE SERIES

One of our smallest band-saws with a wheel diameter of 400 mm and an overall height of just 1740 mm really fits into any workshop.



BSB 600

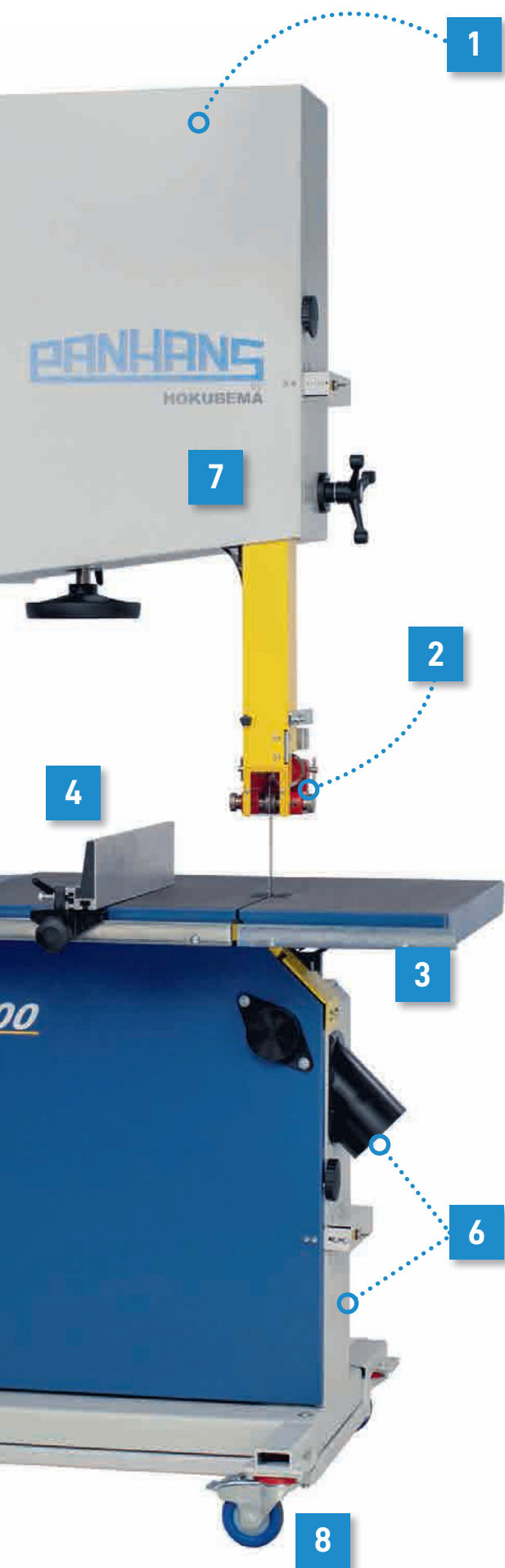
THE HIGH-QUALITY INTERIOR

All versions of our bandsaws have the same high-quality interior. Dynamically balanced solid cast wheels, torsion-free double-chamber welded construction, a finely planed and solid cast table top or the high-performance band saw-blade guide APA2 are just some of our standard features.



9

5



FUNCTIONS

- 1 BANDSAWS**
 Bandsaws are available in different sizes and with wheel diameters from 400–900 mm. This allows individual adjustment to different areas of application.
- 1 SAFETY DOORS**
 The safety doors of the robust double chamber welded construction are secured with safety limit switches.
- 2 APA HIGH PERFORMANCE BANDSAW BLADE GUIDE**
 The bandsaw blade guide APA2 top and bottom is fitted as standard on all models. The precise design ensures a long service life of the bandsaw blades.
- 3 MACHINE TABLE SWIVELLING**
 Infinitely adjustable up to 45° by means of a scale and a clamping lever.
- 4 FENCE RULER**
 The rip fence ruler can be set in two in two different positions: High for wide or tall parts and flat for small parts.
- 5 CONTROL PANEL**
 The control panel is easily accessible and ergonomically correctly placed on the bandsaw machine. Consisting of several controls, the placement can create an ideal work flow.
- 6 SUCTION NOZZLE**
 Two flow-optimised extraction nozzles ensure optimum extraction.
- 7 CONSTRUCTION**
 The robust and functional construction and the extensive safety equipment ensure economical and accident-free work.
- 8 OPTION: MOVING TROLLEY**
 The moving trolley for easy transport consists of two swivel castors with brakes and two fixed castors.
- 9 OPTION: VARIABLE SPEED**
 Infinitely variable regulation of band speed via frequency inverter with push-button, wear-free motor brake included.

EQUIPMENT DETAILS + OPTIONS: BSB 400 – 900

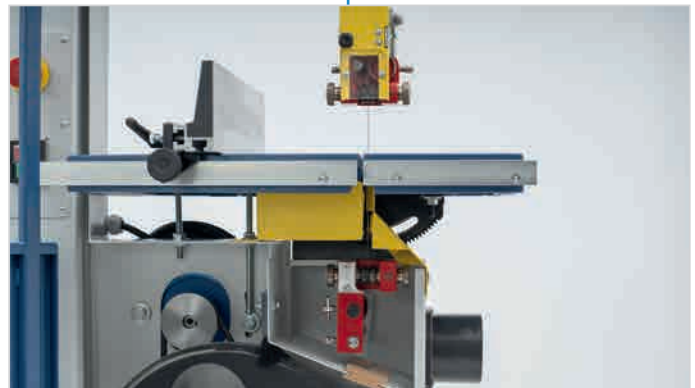
ALL-CAST WHEELS

Solid cast wheels with vulcanised and cambered rubber coating for safe and quiet drive. The dynamically balanced solid cast wheels ensure vibration-free concentricity and are equipped with a coil spring for automatic sawblade tensioning. They also have an integrated vibration-damping wheel bearing.



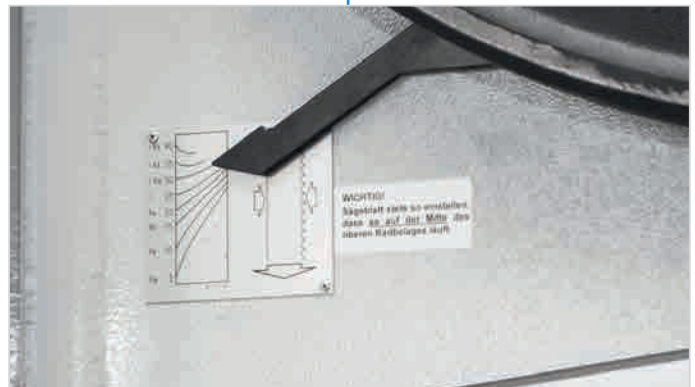
BANDSAW BLADE GUIDE APA2

The high-performance bandsaw blade guide APA2 made of hardened back and side rollers ensures the highest precision and long service life of the sawblade.



INTEGRATED BLADE TENSION INDICATOR

The recommended tension can be set via the integrated blade tension indicator with viewing window.



FOLDABLE FENCE

The rip fence can be set to two different positions: High for wide or tall parts and flat for small parts.



ROTARY CAM SWITCH

Rotary cam switch with direct start on models 400–600 and star/delta start on models 700–900.



TABLE SWIVEL DEVICE

The table swivel device with scale and clamping lever is infinitely adjustable up to 45°.



OPTION:

PUSH-SWITCH UNIT

Push-switch unit with direct starting for 1.5kW motor power.

ART. NO.: 5281

Push-switch unit with direct starting for 2.2kW motor power.

ART. NO.: 5272

Push-switch unit with automatic star/delta starting is available from 3.0kW motor power and recommended from BSB 700.

ART. NO.: 5276

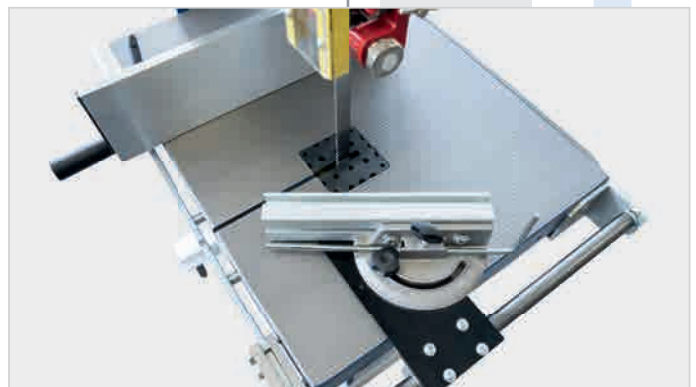


OPTION:

FOLDABLE MITRE FENCE

The retrofittable mitre fence is equipped with a round bar guide and a fold-away device.

ART. NO.: 4362, 4360, 4361



EQUIPMENT DETAILS + OPTIONS: BSB 400 – 900

OPTION:

CUTTING HEIGHT EXTENSION

For the BSB 600–900 versions, a cutting height extension by a further 220 mm is possible. For the models BSB 700 and BSB 800 this extension is even possible by a further 400 mm.

EXTENSION 220 MM: ART. NO.:

600: 5153, 700: 5154, 800: 5156; 900: 5158

EXTENSION 400 MM: ART. NO.:

700: 5162, 800: 5157

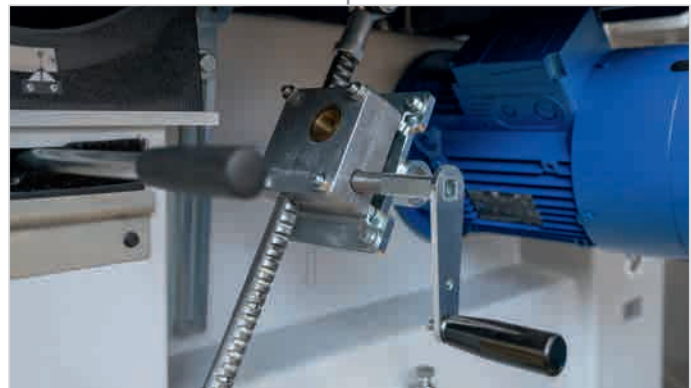


OPTION:

TABLE SWIVEL DEVICE VIA HANDWHEEL

With the optional table swivel device with hand wheel, the inclination of the cast iron table top can be continuously adjusted up to 45° via scale and clamping lever.

FROM BSB 500: ART. NO.: 4291, 5175, 5176, 5177



OPTION:

TABLE EXTENSION WITH MOUNTING RAILS

The table extension can be easily moved and quickly removed again. Secure and fast mounting on the mounting rail by means of a clamping lever. The base is foldable, locks automatically and requires little space when folded.

TABLE EXTENSION: ART. NO.: 5279

MOUNTING RAIL BSB 400–600: ART. NO.: 5277

MOUNTING RAIL BSB 700–900: ART. NO.: 5278



OPTION:

KREISFIX

The Kreisfix is the practical aid for sawing circles with your band saw. It makes it easy to cut curves and discs exactly without scribing.

ART. NO.: 5280 (only in combination with table extension, ART. NO.: 5279)



OPTION:

UPPER AND LOWER BALL BEARING BACK ROLLER

The correct adjustment of the roller guides determines the cutting behaviour of the bandsaw. You can supplement your bandsaw blade guide with a ball bearing back roller for difficult-to-cut wood materials and non-ferrous metals.

FROM BSB 600: ART. NO.: 5000



OPTION:

MEASUREMENT SCALE ON THE TABLE

The measurement scale on the table makes working on the bandsaw easy and efficient. This allows direct setting of the correct workpiece length without the need for other measuring tools.

ART. NO.: 5123



OPTION:

T-SLOT IN THE MACHINE TABLE

The T-slot in the machine table is used to guide the mitre fence. This option includes the mitre fence „Classic“.

ART. NO.: 5190, 5191



OPTION:

MOVING TROLLEY

The moving trolley for easy movement of the bandsaw is equipped with two braked swivel castors and two fixed castors.










ART. NO.: 400: 5270, 500: 5271, 600: 5272, 700: 5273, 800: 5274






OPTIONS AND EXTENSIONS: BSB 400 – 900

TECHNICAL EXTENSIONS

-  **MOVING TROLLEY**
With 2 swivel castors + brakes and 2 fixed castors (available for BSB 400–800)
ART. NO.: 400: 5270, 500: 5271, 600: 5272, 700: 5273, 800: 5274
-  **MOVING TROLLEY FOR CUTTING HEIGHT PLUS 220 MM**
With 2 swivel castors + brakes and 2 fixed castors (not usable with cutting height PLUS 400 mm)
ART. NO.: 5284, 5283, 5285
-  **FOLDABLE MITRE FENCE**
Only for stand-left version
ART. NO.: 4362, 4360, 4361
-  **T-SLOT IN THE MACHINE TABLE**
Incl. mitre fence Classic
ART. NO.: 5190, 5191
-  **REINFORCED MOTOR**
Instead of standard motor
ART. NO.: 400: 5128, 500: 5129, 600: 5130, 700: 5131, 800: 5132, 900: 5133
-  **MOUNTING RAILS 2 PCS.**
For quick and safe mounting of safety and working devices
ART. NO.: 5277, 5278
-  **TABLE EXTENSION**
To be hooked into the mounting rail; replaces an assistant when working on long workpieces
ART. NO.: 5279
-  **MEASUREMENT SCALE ON THE TABLE**
ART. NO.: 5123
-  **TABLE SWIVELLING DEVICE**
Via handwheel up to 45°
ART. NO.: 500: 4291, 600: 5175, 700: 5176, 800: 5177

-  **KREISFIX**
The practical aid for circular sawing, enables precise sawing of curves and discs without scribing, and is extremely easy to use (only in conjunction with table extension 5279)
ART. NO.: 5280
-  **UPPER AND LOWER BALL BEARING BACK ROLLER**
With replaceable running ring, maintenance-free for difficult-to-machine wood materials or non-ferrous metals, instead of the standard back roller for bandsaw guide APA2, size 2 (from BSB 600)
ART. NO.: 5000
-  **PUSH-SWITCH UNIT**
With automatic star-delta start-up (recommended from BSB 600)
ART. NO.: 5276
-  **PUSH-SWITCH UNIT**
With direct start for 1.5 kW motor (instead of rotary cam switch) with wear-free electric motor brake
ART. NO.: 5281
-  **PUSH-SWITCH UNIT**
With direct start for 2.2 kW motor (instead of rotary cam switch) with wear-free electric motor brake
ART. NO.: 5272
-  **PUSH-SWITCH UNIT**
The push-switch unit with automatic star/delta starting is available from 3.0 kW motor power and recommended from BSB 700.
ART. NO.: 5276
-  **CUTTING HEIGHT PLUS 220 MM ONLY FOR STAND-LEFT-VERSION FROM BSB 600 TO 900**
ART. NO.: 600: 5153, 700: 5154, 800: 5156, 900: 5158
-  **CUTTING HEIGHT PLUS 400 MM ONLY FOR STAND-LEFT-VERSION OF VERSIONS BSB 700 AND 800**
ART. NO.: 700: 5162, 800: 5157
-  **CROWNING FOR CURVED CUTS WITH NARROW SAWBLADE**
ART. NO.: 4930

ACCESSORIES SERVICES


-  **INSTRUCTION BY FACTORY TECHNICIAN**
Or training at the Sigmaringen factory for the machine ordered, plus travel expenses if the instruction takes place at the customer's site
ART. NO.: 4172
-  **WARRANTY PLUS+12**
12 months extended warranty (following the legal warranty period of 12 months), not on wear parts – warranty 1 year on parts
ART. NO.: 4261
-  **MAINTENANCE AND INSPECTION**
Annual maintenance and inspection on site according to maintenance plan, spare parts are charged separately, plus travel expenses
ART. NO.: 4175

APA 2: THE ORIGINAL



THE HEART OF EVERY BANDSAW MACHINE ... IS APA 2 AS STANDARD IN YOUR NEW BSB!

- Selected materials as well as optimised hardening processes and tight manufacturing tolerances characterise this technically high-quality product
- Hardened back and side rollers fix the sawblade in the correct position
- Hardened treads also guarantee years of use and are easy to replace if necessary
- User-friendly fine adjustment, permanent lubrication as standard, minimum maintenance, sturdy construction
- Frictionless and wear-free sawblade guidance
- Highest precision and long service life of the bandsaw blade
- Mounting parts included in the scope of delivery
- **OPTIONALLY:** On request, the APA2 bandsaw blade Size 2 guide is available **with ball bearing back roller** (e.g. for non-ferrous metal processing)

DETAILS OF YOUR VERSION:

 approx. 1.1 kg	Version size 1 top for wheel diameter 300–500 mm blade widths from 3–25 mm ART. NO.: 1248
 approx. 1.0 kg	Version size 1 bottom for wheel diameter 300–500 mm blade widths from 3–25 mm ART. NO.: 1250
 approx. 2.1 kg	Version size 2 top for wheel diameter 600–900 mm blade widths from 5–40 mm ART. NO.: 1254
 approx. 1.9 kg	Version size 2 bottom for wheel diameter 600–900 mm blade widths from 5–40 mm ART. NO.: 1256

High-performance bandsaw blade guide **for non-ferrous machining and for difficult-to-machine wood materials with ball bearing back roller:**

 approx. 2.2 kg	Version size 2 top for wheel diameter 600–900 mm blade widths from 5–40 mm ART. NO.: 1276
 approx. 2.0 kg	Version size 2 bottom for wheel diameter 600–900 mm blade widths from 5–40 mm ART. NO.: 1277



Upper bandsaw blade guide
APA 2



Lower bandsaw blade guide
APA 2

TBS 800 R | TBS 900 R



MOTOR POWER
11 kW / 15 HP
(Option: 15 kW / 20 HP)



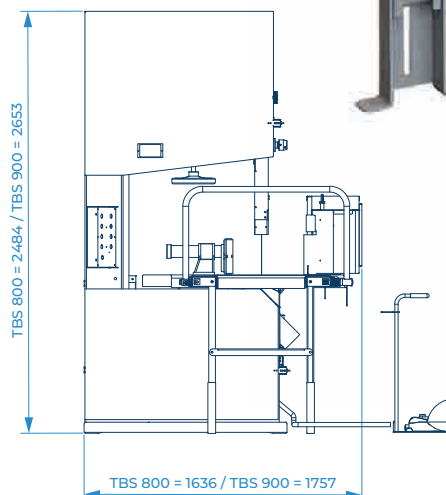
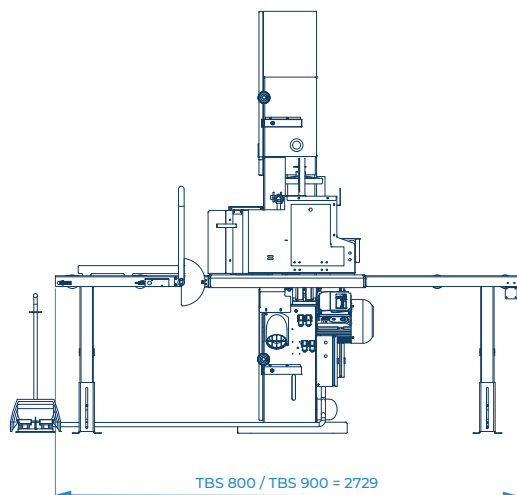
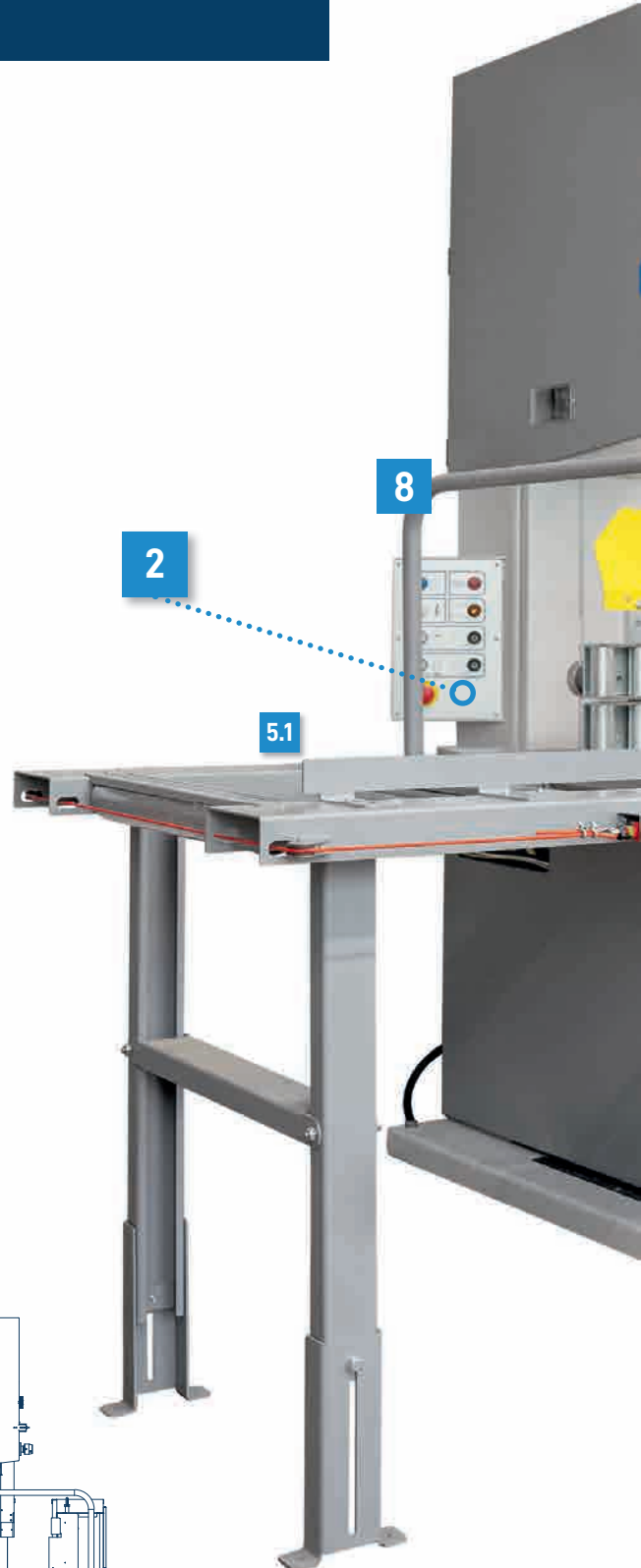
VOLTAGE
400 V / 50 Hz

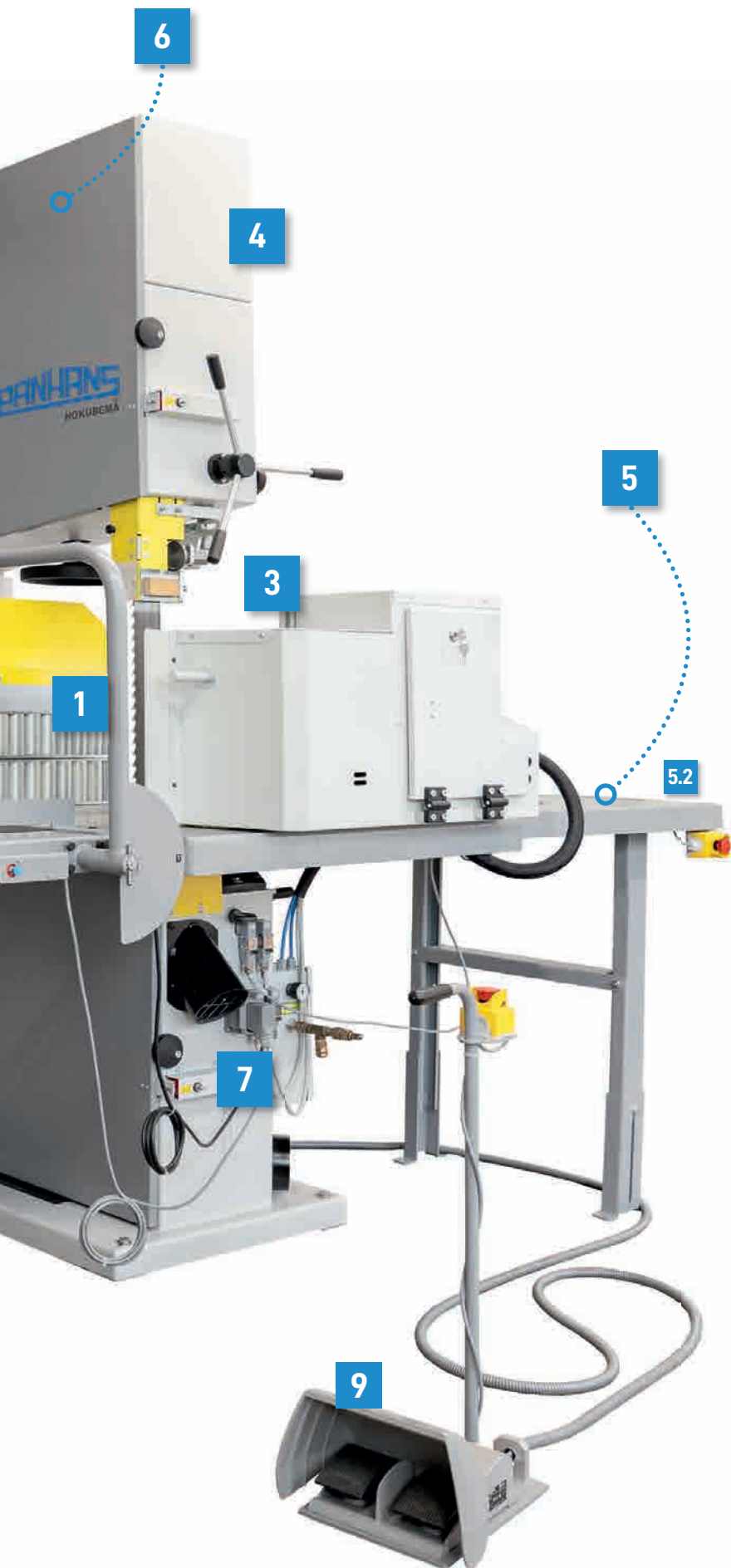


SPACE REQUIREMENT
800 R: approx. 1520x1930x2480 mm
900 R: approx. 1730x2000x2650 mm

The robust design and precisely coordinated functional elements characterise the PANHANS band resaws.

TECHNICAL SPECIFICATIONS	800 R ART. NO.: 5410	900 R ART. NO.: 5420
Wheel diameter	800 mm	900 mm
Sawblade speed	1800 m/min	1820 m/min
Cutting height/width max.	460 mm / 785 mm	580 mm / 880 mm
Sawblade length max.	5730 mm	6260 mm
Sawblade width	80 mm	80 mm
Table size/height	1200x925 mm / 930 mm	1350 x 925 mm / 1015 mm
Suction nozzle	2x ø 120 mm	2x ø 120 mm
Compressed air	5–7 bar	5–7 bar
Net weight	approx. 820 kg	approx. 920 kg
Machine stand in shapely, modern and torsion-free double-chamber welded steel construction		
Upper and lower doors secured by safety limit switch		
Upper and lower special gliding sawblade guide with hardened back roller		
Fine-planed rigid steel table with exchangeable table insert and feed roller table; optional: table swivelling device via handwheel up to 22.5°		
Wheels in solid cast steel design, precision turned and dynamically balanced		
Integrated blade tension indicator		
Mechanical height adjustment of the sawblade guard by hand wheel with locking pinion		
Integrated sawblade guard		
Sawblade cleaning and automatic micro-lubrication via felt cover and dosing liquid tank		
Feed unit swivelled in via transportable foot switch		
Dust and resin wipers mounted on the bandsaw wheels		
Roller feed unit with pneumatic adjustment: Outfeed roller conveyor 1000 mm long, infeed roller conveyor height adjustable, size L x W = 900 x 825 mm		
Push-switch unit with automatic star-delta start and emergency stop button		
Mechanical motor brake with main switch and motor protection switch		





FUNCTIONS

- 1 ROLLER FEED UNIT SR 026P**
Feed unit with automatic and pneumatic adjustment. The feed speed of the toothed steel roller can be selected in 10 different steps.
- 2 CONTROL PANEL**
The operating elements with the control buttons are clearly arranged and positioned at an ideal working height. This ensures efficient and ergonomic working.
- 3 SAWBLADE LUBRICATION**
The bandsaw is equipped with an automatic sawblade lubrication system via a felt cover and a dosed liquid tank.
- 4 BANDSAW WHEELS**
The bandsaw wheels are made of solid cast steel and are dynamically balanced for smooth and quiet running.
- 5 TABLE TOP**
The finely planed table top is made of steel with an infeed (5.1) and outfeed roller table (5.2). In addition, the table inserts are interchangeable.
- 6 SAFETY DOORS BOTTOM – TOP**
The safety doors are secured with a safety limit switch and include the robust double-chamberwelded construction.
- 7 SUCTION NOZZLE**
Two powerful suction nozzles ensure optimum extraction during both sawing and cutting.
- 8 PROTECTIVE HOOP**
Additional protective device for the operator.
- 9 LATCHING FOOT SWITCH**
The latching foot switch is for opening and closing the roller feed unit and can be placed individually.

EQUIPMENT DETAILS + OPTIONS: 800 R | 900 R

STABLE FEED UNIT

The feed unit type SR 026 P is part of the standard equipment and can be pneumatically adjusted in width. A maximum opening of 250mm to the right of the sawblade and a maximum opening of 230 mm to the left of the sawblade is possible between the feed unit and the sawblade. The feed rate can be adjusted in 10 steps.



FINEST CUTS

The blade guide is also one of the most important components of the band resaw. PANHANS also uses a design with stable and optimally matched components here. Cutting height and width can be quickly and easily adjusted to the workpiece to be machined. The helical toothed and hardened roller at the feed ensures a reliable feed to the saw blade.



ROLLER CONVEYOR

The roller conveyor with infeed and outfeed is equipped with a safety device. This consists of several modules. The infeed is equipped with an emergency stop rip cord and an additional protective bracket with emergency stop function. An emergency stop button is located in the outfeed area.



CONTROL

All important settings are made via a centrally mounted control panel. The operation is clear and easy to understand. The push-switch unit with automatic star-delta start and emergency stop switch also has an automatic motor brake with main switch and motor protection switch.



OPTIONS AND EXTENSIONS: 800 R | 900 R

TECHNICAL DESCRIPTION



FEED ROLLER WITH VARIABLE FEED RATE

From 2.7 to 20m/min; instead of 10 speeds

ART. NO.
5415



RUBBER-COATED FEED ROLLER

Feed roller rubber coated, instead of steel roller

ART. NO.
4280



THREE-PHASE MOTOR

Three-phase motor 15kW instead of 11kW

ART. NO.
5413



TABLE SWIVELING DEVICE UP TO 22.5° VIA HANDWHEEL

Adjustable with rack and pinion gear

ART. NO.
5411



HYDRAULIC SAWBLADE TENSIONING UNIT

Instead of the manual tensioning unit

ART. NO.
5414



ROLLER STOP WITH LINEAR GUIDE AND DIGITAL INDICATOR

Instead of the standard roller stop

ART. NO.
5412



BANDSAW BLADE (800R)

Length 5726x80x0.9mm tooth pitch 14 mm, tooth shape NV, face angle 10°, tooth height 6.5mm cambered, ready to cut, minimum purchase 3 pcs.

ART. NO.
5421



BANDSAW BLADE (800R)

Stellited length 5725x80x0.9mm, tooth pitch 25mm, tooth form PV, face angle 18°, tooth height 8.5mm, kerf 2.0mm cambered, minimum purchase 3 pcs.

ART. NO.
5422



BANDSAW BLADE (800R)

Stellited length 5730x80x0.9mm, tooth pitch 30mm, tooth form PV, face angle 18°, tooth height 8.5mm, kerf 2.0mm cambered, minimum purchase 3 pcs.

ART. NO.
5423



BANDSAW BLADE (900R)

Length 6244x80x0.9mm, tooth pitch 14mm, tooth form NV, face angle 10°, tooth height 6.5mm cambered, ready to cut, minimum purchase 3 pcs.

ART. NO.
5424



BANDSAW BLADE (900R)

Stellited length 6250x80x0.9mm, tooth pitch 25mm, tooth form PV, face angle 18°, tooth height 8.5mm, kerf 2.0mm cambered, minimum purchase 3 pcs.

ART. NO.
5425



BANDSAW BLADE (900R)

Stellited length 6240x80x0.9mm, tooth pitch 30mm, tooth form PV, face angle 18°, tooth height 8.5mm, kerf 2.0mm cambered, minimum purchase 3 pcs.

ART. NO.
5426

ACCESSORIES SERVICES



INSTRUCTION BY FACTORY TECHNICIAN

Or training at the Sigmaringen factory for the machine ordered, plus travel expenses if the instruction takes place at the customer's site

ART. NO.
4172



WARRANTY PLUS+12

12 months extended warranty (following the legal warranty period of 12 months), not on wear parts – warranty 1 year on parts

ART. NO.
4254



MAINTENANCE AND INSPECTION

Annual maintenance and inspection on site according to maintenance plan, spare parts are charged separately, plus travel expenses

ART. NO.
4175

3 WHEEL 3V



MOTOR POWER
3.0 kW / 4.0 HP



VOLTAGE
400 V / 50 Hz



SPACE REQUIREMENT
approx. 3464x1110x3400 mm

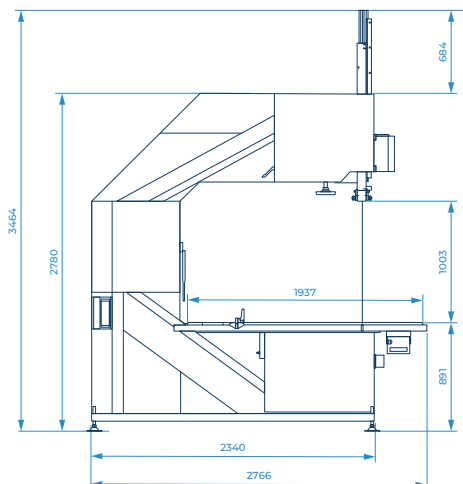
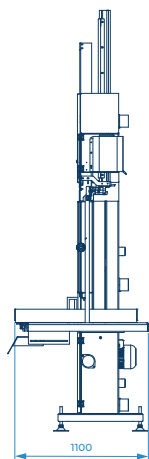
With the model 3V, PANHANS offers a bandsaw that is also suitable for very large workpieces. This is made possible by the generous table top and the special design in which the sawblade is guided over 3 wheels.

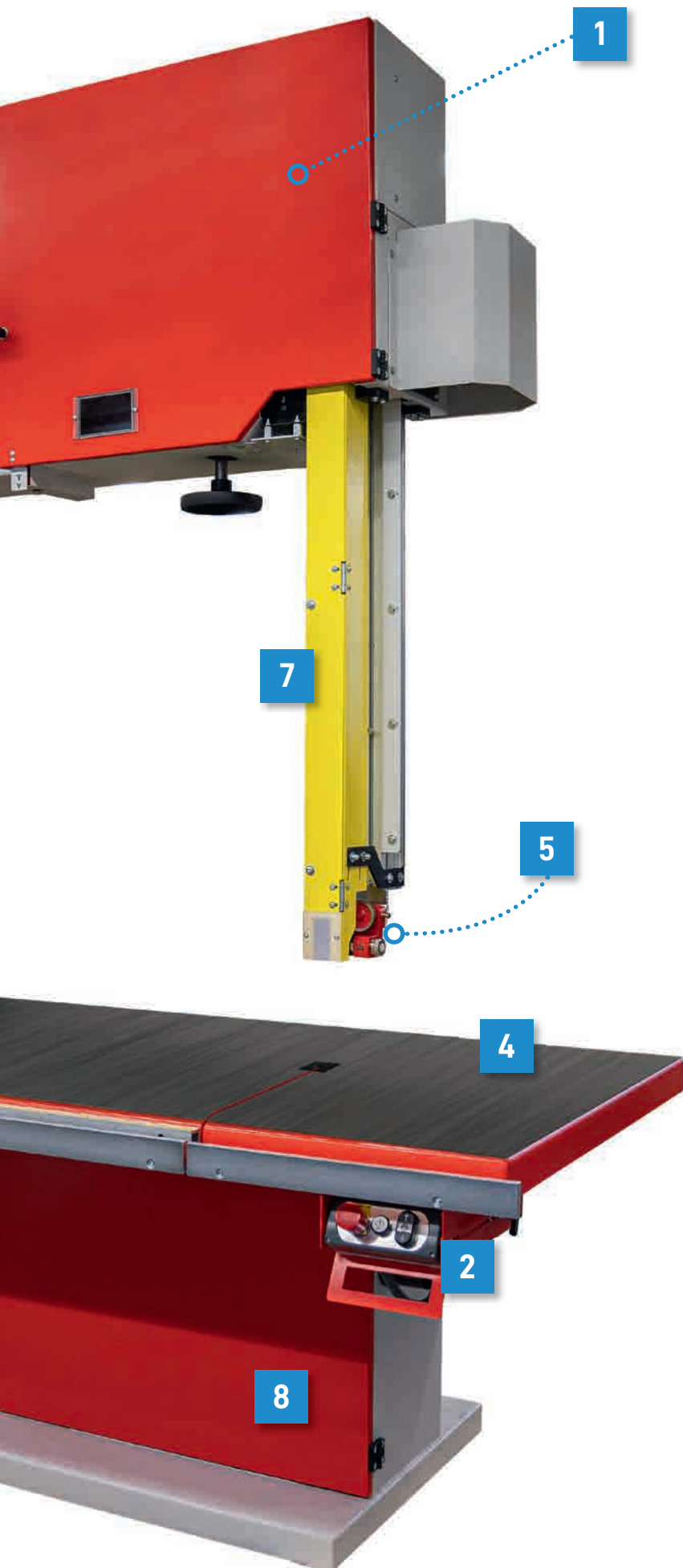
TECHNICAL SPECIFICATIONS

ART. NO.: 5301

Wheel diameter	3 x 600 mm
Sawblade speed	1550 m/min
Cutting height/width max.	1000 mm / 1450 mm
Sawblade length max.	7700 mm
Sawblade width	from 15 – 35 mm (0.6 mm thick)
Table size	1940x1000 mm made of steel
Table height	825 mm
Suction nozzle	4 x Ø 100 mm
Transport height	2780 mm plus pallet
Net weight	approx. 1000 kg

- Machine frame in torsion-free double-chamber welded steel construction
- Safety doors secured via limit switches
- Finely planed machine table with exchangeable table insert
- Fence ruler to the left of the saw blade, fence profile can be turned to flat position
- Dynamically balanced bandsaw wheels with vulcanised rubber bandages
- Integrated blade tension indicator
- Upper and lower bandsaw blade guide: APA2, upper size 2, lower size 1 with hardened back and side rollers
- Motorised height adjustment of the upper bandsaw blade guide
- Integrated sawblade guard
- Chip catcher on lower bandsaw wheel
- Push-switch unit with automatic star-delta start-up 2 emergency stop buttons
- Mechanical motor brake
- Machine levelling feet with M20 bolts for ground clearance during forklift transport





FUNCTIONS

1 CONSTRUCTION

The construction of the bandsaw is functional and well thought out. The carefully manufactured functional elements and the components of the bandsaw are made of high-quality steel.

2 CONTROL PANEL

All controls for precise adjustment of the bandsaw are clearly arranged and freely accessible.

3 SAWBLADE CHANGE

Wide-opening doors clear the way to the sawblade and thus enable effortless sawblade changes. The sawblade can be easily inserted and tensioned. For this operation, the sawblade guard can be opened in a few easy steps.

4 TABLE TOP

The table top of the band saw is made of finely planed steel. The table inserts are interchangeable for an individual workflow.

5 BANDSAW BLADE GUIDE APA

The bandsaw 3V has the high-performance bandsaw blade guide APA2, size 2 at the top and size 1 at the bottom. Hardened back and side rollers fix the sawblade and keep it in the correct position even under extreme operating conditions.

6 BLADE TENSION INDICATOR

Blade tension indicator for setting the recommended tension.

7 HEIGHT ADJUSTMENT

The height adjustment of the upper sawblade guide is motorised and allows a cutting height of 1000 mm.

8 GUARDS

The saw blade guard of the bandsaw 3V is made of sheet steel. The protective doors are also secured with a limit switch.

EQUIPMENT DETAILS + OPTIONS: 3 WHEEL 3V

OPTIMAL SAWBLADE DRIVE

Solid cast steel wheels with large diameters ensure safe and blade-friendly running. Abrasion-resistant rubber pads, convex grinded, guide the saw blade exactly in the desired position. A guarantee for highest precision with maximum blade life.



VERSATILE FENCE RULER

The versatile fence is foldable and therefore universally usable. The reversible fence can be used on the left and right of the saw blade; high position for wide parts, flat position for narrow parts.



POWERFUL DRIVE

The drive motor of the bandsaw type 3V is generously dimensioned and powerful as well as energy-efficient. Even large-volume workpieces can be processed without difficulty.



CENTRAL CONTROL

All important settings are made via a centrally mounted control unit. The controls and operating elements are clearly arranged and easy to understand and self-explanatory. The machine also has two separately mounted emergency stop buttons.



OPTIONS AND EXTENSIONS: 3 WHEEL 3V

TECHNICAL DESCRIPTION



INFINITELY VARIABLE ADJUSTMENT OF THE BELT SPEED

ART. NO.
5313

From approx. 310–1860 m/min via frequency inverter with push-switch unit, incl. wear-free motor brake



LASER DIRECTION LIGHT

ART. NO.
5310



REINFORCED MOTOR 4.0 KW, 400V / 50HZ

ART. NO.
5186



BANDSAW BLADE

7700x25x0.6mm, minimum purchase 3 pieces

ART. NO.
5427

ACCESSORIES SERVICES



INSTRUCTION BY FACTORY TECHNICIAN

ART. NO.
4172

Or training at the Sigmaringen factory for the machine ordered, plus travel expenses if the instruction takes place at the customer's site



MAINTENANCE AND INSPECTION

ART. NO.
4175

Annual maintenance and inspection on site according to maintenance plan, spare parts are charged separately, plus travel expenses



WARRANTY PLUS+12

ART. NO.
4258

12 months extended warranty (following the legal warranty period of 12 months), not on wear parts – warranty 1 year on parts

SHOWROOM



MACHINES AND ACCESSORIES TO TRY OUT, EXPERIENCE, FALL IN LOVE ...

Our showroom in Sigmaringen in southern Germany is a year-round product presentation and is used for trying out machines and our SI-TEC safety products. Test* our professional woodworking and plastics processing machines before you buy. We will also be happy to advise you personally on site.

WE OFFER YOU:

- Machine demonstration by experts
- Qualified advice from specialist personnel
- Professional instruction for your personal protection
- Explanation of functions and accessories
- Trying out all products

*Please note that for safety reasons the exhibits may only be used by the visitor with his own material and tools during the machine test.

PRODUCT OVERVIEW

SLIDING TABLE SAWS

680|100

NEW



680|200

NEW



690|100

690|200

NEW



V91|10



TILTING SPINDLE MOULDERS

245|10



245|20



245|100

245|200



245|300



PLANERS AND THICKNESSERS

334|20, 335|20

336|20



436|100



546|100



DRILLING MACHINES

116|10



BANDSAWS

400 – 900



800R-900R



3V



SIITEC
SICHERHEITSTECHNIK

You can find safety technology products in our online shop:
www.hokubema.com

- Push stick
- Push handle
- Push block
- APA bandsaw guide
- Bandsaw table insert
- Rubber cork bandages

- Safety rulers and moulding board in set
- Magnetic planer knife quick setters
- and much more ...

SERVICE CONCEPT

QUALITY IN EVERY RESPECT

Deeply rooted in our company philosophy is the honest attitude towards customers and business partners, which at the same time forms the basis for a trusting cooperation. In the production of our machines, we always strive to keep the consumption of resources and energy as low as possible and thus make a meaningful contribution to environmental protection. In addition, we are constantly developing our wood processing machines to keep efficiency high and energy consumption low.

In order to guarantee the longevity of a PANHANS machine as well as customer satisfaction, we offer comprehensive service and a wide range of additional services before the purchase and after the investment. Among other things, our service philosophy includes detailed advice and, if required, a machine demonstration in our showroom. In the

showroom, you receive professional instruction, an explanation of the functions and can test all products extensively.

After the purchase, our versatile online shop and our extensive website provide a free service. Tools, accessories and consumables can be ordered easily in the online shop and our website serves as an information platform. Which maintenance and servicing work is required for which machines?

The table on www.panhans.de gives you an overview and helps to optimise the performance of your PANHANS machines.

PANHANS woodworking machines are sustainably designed and solidly built in Germany.



CUSTOMER SATISFACTION

High-quality machines combined with extensive service for long-lasting reliability.



ENVIRONMENTAL AWARENESS

Innovative machine development for high efficiency despite low energy consumption.



ADVICE

Qualified and dedicated advice from expert staff from purchase to beyond the scope.



SERVICES

Extensive and versatile range of services tailored to the needs of the customer.



HOKUBEMA

Maschinenbau GmbH





Scan QR code and go directly to the
bandsaw machines



PANHANS

QUALITÄT SEIT 1918

PANHANS IS A BRAND OF
HO|KU|BE|MA Maschinenbau GmbH

📍 Graf-Stauffenberg-Kaserne Sigmaringen
Binger Straße 28 | [Halle 120](#)
72488 Sigmaringen | Germany

☎ Phone: +49 (0)7571 755-0
Fax: +49 (0)7571 755-222

✉ info@hokubema-panhans.de

🌐 www.panhans.de

🛒 www.hokubema.com



MADE IN GERMANY

HO|KU|BE|MA

PANHANS
QUALITÄT SEIT 1918

SIITEC
SICHERHEITSTECHNIK

