

HOKUBEMA

PANHANS
by
HOKUBEMA

TBS

3 V

BSB



Band saws

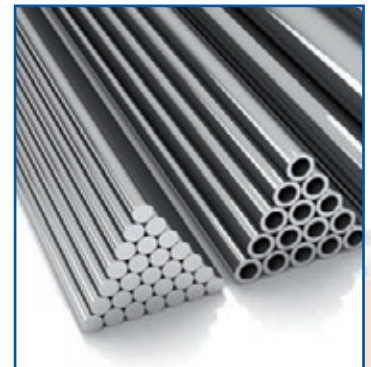
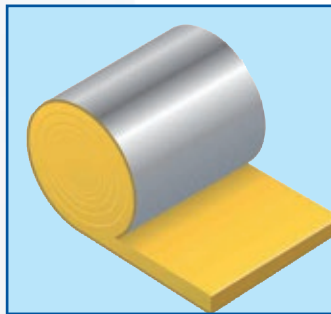


It's the result that matters

HOKUBEMA Band saws



For any need, for any material -
band saws by HOKUBEMA.



Competence you feel

If you have ever worked with band saws of lower quality, you will value good products.

We process different materials in various dimensions. Since our company has been using band saws from HOKUBEMA, we have noticed clear differences.

Until now, I thought that only the saw blade counts. Today, I know that the band saw machine is decisive. HOKUBEMA has lots to offer there.

Operation is as simple as servicing and setting.

HOKUBEMA - for a good cut.

Construction



The robust and functional build and the comprehensive safety equipment ensure economic and accident-free work.

- Twist-free double chamber welding construction
- Dynamically balanced full-cast wheels for vibration-free concentric run
- Vulcanised-on and spherically cut rubber linings at the band saw wheels for best grip and gentle running of the saw blades
- Belt saw blade guide APA top and bottom, with all BSB models
- Finely planed solid cast table top with table swivel device up to 45° with scale and clamping lever
- Exchangeable table insert at the saw blade
- Wiper brush at the lower band saw wheel
- 2 flow-beneficial extraction sockets

Function and safety



BSB band saws are available at different sizes and with wheel-diameters of 400 - 900 mm.

Individual alignment with different areas of use is possible with this.

- Cut height adjustment via handwheel with locking pinion and integrated saw blade protection
- Deflecting upper band saw wheel
- Folding stop ruler on both sides of the saw blade, can be used upright for wide/high parts, flat for small parts
- Blade tension display (with sight window) via hand wheel for best setting of the different widths of the band saw blades.
- Vibration-free and saw-blade-protecting run by
 - Full cast steel wheels
 - Vulcanised-on, spherical cut rubber linings
 - Dynamically balanced drive unit

A comprehensive safety equipment permits accident-free function during any work with the saw

- Ergonomically correctly placed work table and easy to reach operating elements
- Doors with limit switches
- Height-adjustable saw blade protection via hand wheel and locking pinion
- Automatic brake motor

Band saws BSB are GS-tested and correspond to the EC type testing according to directive 2006/42/EC



Band saws BSB 400 - 900



Technical equipment

- High-performance band saw blade guide APA 2 top and bottom
- Hardened back and side rollers
- Cutting height up to 540 mm
- Cutting width up to 880 mm
- Finely planed work table of cast iron
- Machine table swivelling up to 45°
- Twist-free double chamber welding construction
- Safety doors with limit switch
- Running wheels in full cast design with spherically ground rubber linings
- Integrated band tensioning
- Energy-efficient drive



All designs are GS-tested and correspond to the EC type testing according to directive 2006/42/EC



Standard equipment



Full cast wheels

dynamically balanced with automatic tension by a screw spring. Integrated vibration-dampening wheel bearing.



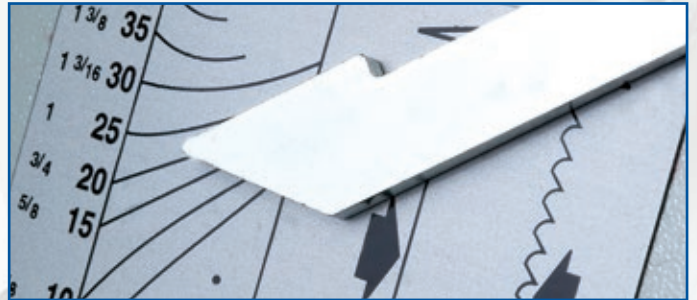
Vulcanised-on rubber lining

spherically ground



APA high performance band saw guide

hardened back and side rollers, simple fine setting. Optionally with ball-bearing rear roller for NE metal processing.



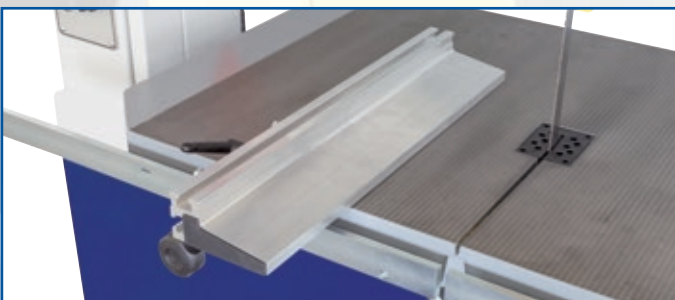
Blade tension display with sight window

to set the recommended tension.



Rotating cam switch

- with direct start-up (models 400 - 600)
- with star/delta start-up (700 - 900)



Folding stop ruler

Upright for wide/high parts, flat for small parts



Table swivel facility

with scale and clamping lever, smoothly adjustable up to 45°.

Band saws BSB 400 - 900

options

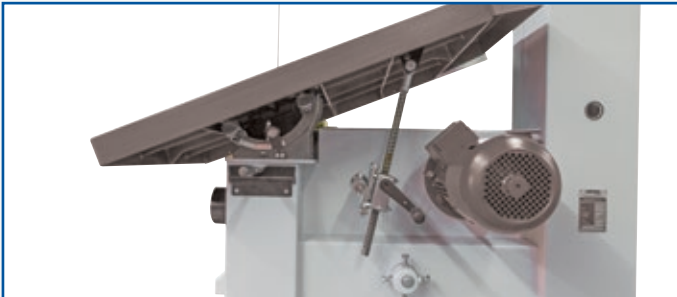


Table swivel device Top

smoothly adjustable to 45° via hand wheel.



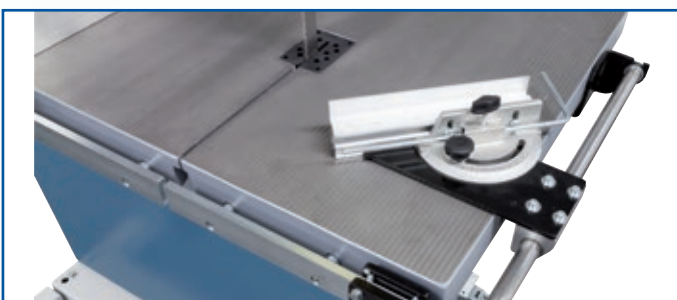
Pushbutton switch

with automatic star/delta start-up, available as of 3 kW motor.



Cutting height expansions

- 220 mm > BSB 600/700/800/900
- 400 mm > BSB 700/800



Mitre stop Top

with round rod guide and device for folding away (retrofitable).



Driving facility

with 2 casters with brake and 2 block rollers.

Technical data

	BSB 400	BSB 500	BSB 600	BSB 700	BSB 800	BSB 900
• Cutting height max. mm	205	330	400	420	520	540
• Cutting width max. mm	385	480	580	680	780	880
• Band speed m/min	1400	1300	1550	1570	1800	1720
• Motor kW/HP	Standard 1.1/1.5 Option 1.5/2.0	1.5/2.0 2.2/3.0	2.2/3.0 3.0/4.0	3.0/4.0 4.0/5.5	4/5.5 5.5/7.5	5.5/7.5 7.5/10
• Saw blade width min. max. mm	15/20	15/25	15/30	15/35	15/40	15/40
opt. for special lining mm	6/20	6/25	8/30	8/35	10/40	10/40
• Saw blade thickness mm*	0.4	0.5	0.6	0.7	0.8	0.8
• Saw blade length max./min. mm	3330/3230	4140/4060	4735/4660	5140/5020	5775/5670	6260/6160
• Wheel diameter mm	400	500	600	700	800	900
• Lining width mm	25	30	30	35	45	47
• Sound power level						
dB(A)** Idle	80	80	80	85	85	85
dB(A)** Processing	102	102	102	97	97	97
• Emission pressure level/workplace						
dB(A)** Idle	67	67	67	68	68	68
dB(A)** Processing	89	89	89	89	89	89
• Push-off socket Ø mm	2 x 100	2 x 100	2 x 100	2 x 120	2 x 120	2 x 120

* recommended saw blade thickness = 1/1000 of the wheel diameter

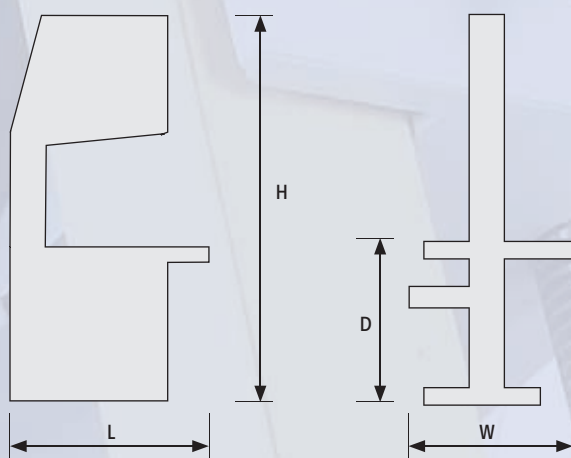
** contained insecurity K = 4 db(A)

Standard: Left design

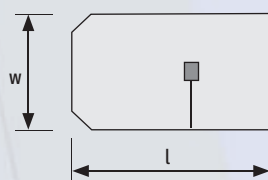
Option: Right design

Dimensions

Machine sizes mm



Machine table sizes mm



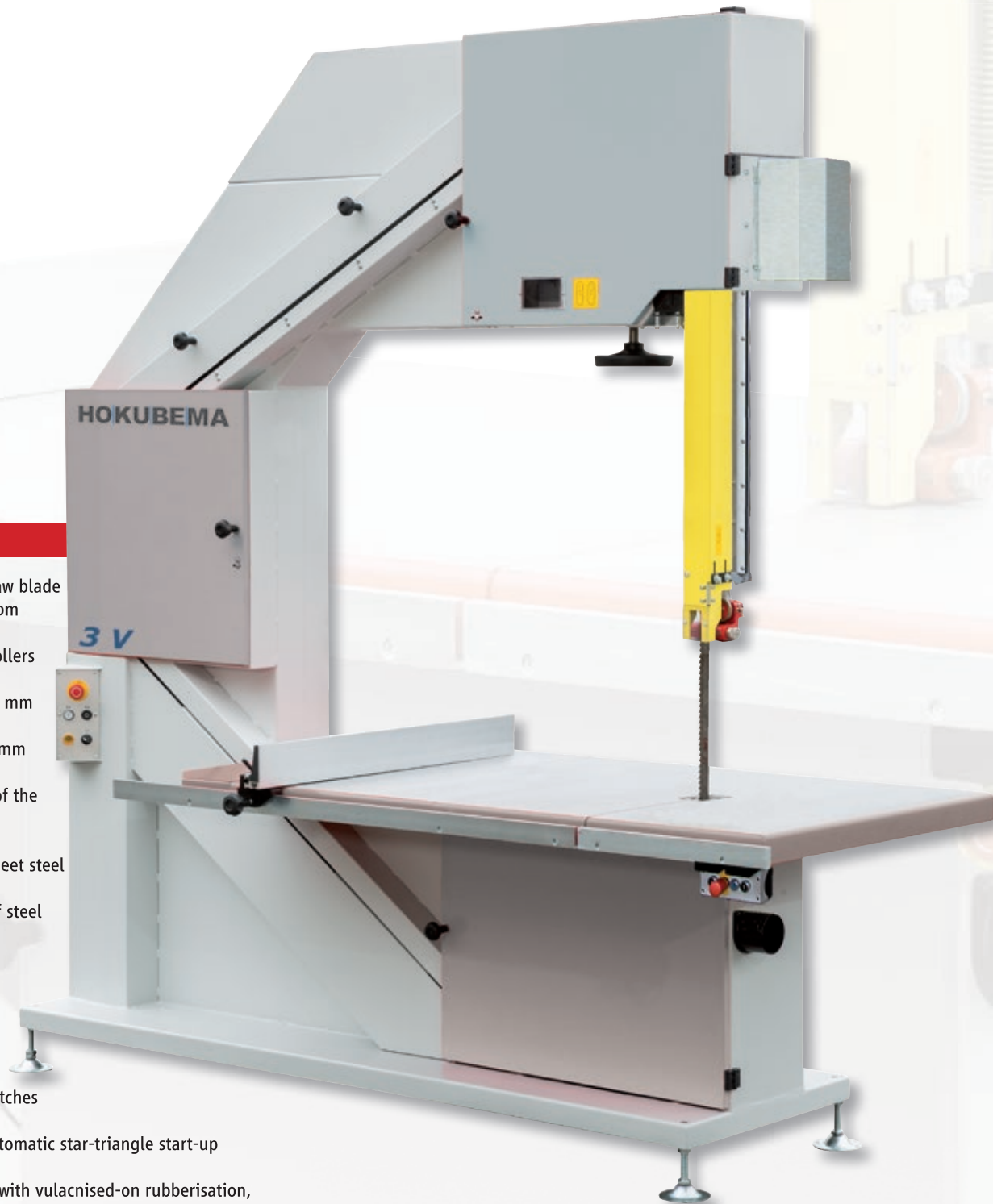
	BSB 400	500	600	700	800	900
L	760	930	1130	1260	1450	1590
W	490	550	640	730	900	1010
H	1740	1930	2120	2275	2475	2650
D	900	900	920	920	930	1015
l	570	670	810	990	1145	1280
w	420	495	590	695	760	835

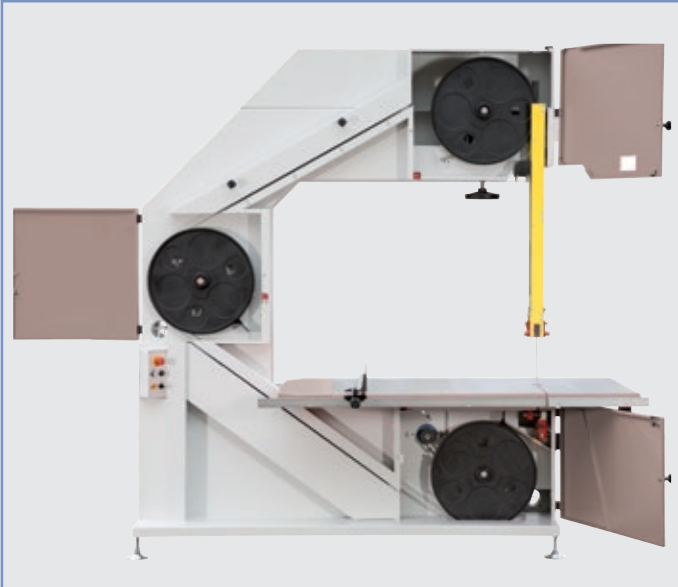
3-Wheel band saw 3 V

for large tasks

Technical equipment

- High-performance band saw blade guide APA 2, top and bottom
- Hardened back and side rollers
- Cutting height up to 1000 mm
- Cutting width up to 1450 mm
- Motor height adjustment of the upper saw blade guide
- Saw blade protection of sheet steel
- Finely planed worktable of steel
- Replaceable table insert
- Twist-free double chamber welding-construction of high-quality steel
- Safety doors with limit switches
- Pushbutton switch with automatic star-triangle start-up
- Wheels in full cast design with vulcanised-on rubberisation, embossed polished
- Integrated band tensioning display
- Wiper brush at the lower wheel





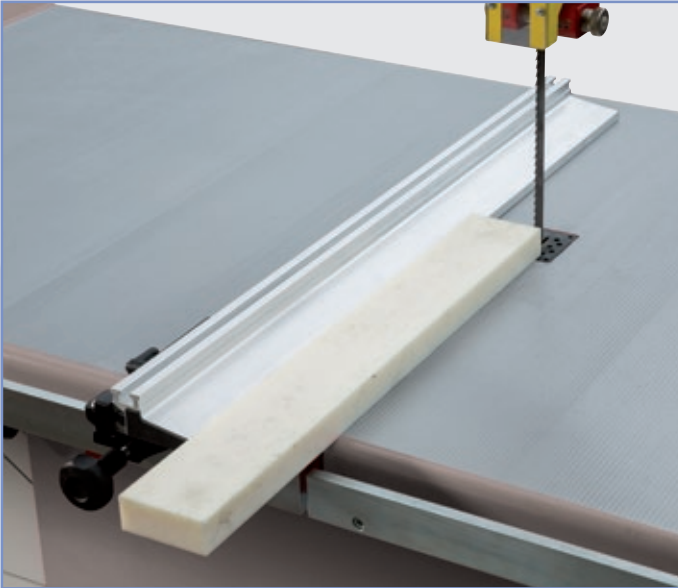
Best saw blade drive

Full cast steel wheels with large diameters ensure a safe and blade-protecting run.
Wear-proof rubber supports, spherically grinded, guide the saw blade precisely in the desired position. Warranting highest precision at maximum blade service life.



Central control

All important settings are made via a centrally positioned control panel.
Operation is well-structured and easy to understand.



Versatile stop ruler

Folding stop ruler, can be used to the left and right of the saw blade, upright setting for wide parts, flat setting for narrow parts.



Strong drive

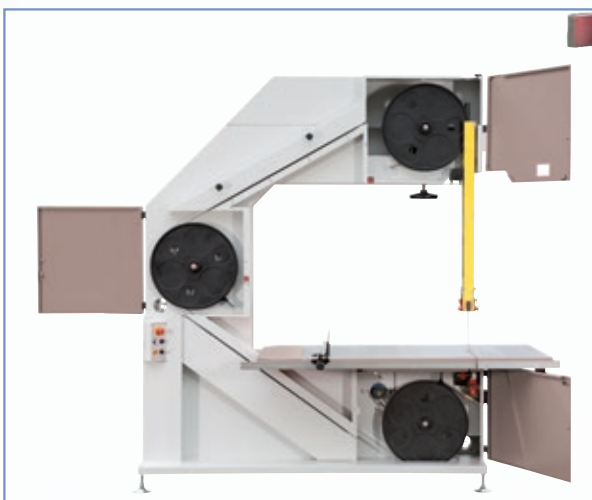
The drive motor of the band saw 3V is designed generously. Large-volume workpieces can be processed easily as well.
Standard: Compact V-band drive, with three-phase motor and brake
Option: smoothly adjustable cutting speed

3-Wheel band saw 3 V

High-quality and functional

Components of high-quality steel and carefully produced function-elements form the parts of the 3-wheel band saw 3 V.

All operating elements for precise setting of the band saw are placed well-structured and freely accessible.



Simple saw blade change

Widely opening doors provide access to the saw blade. The band can be easily inserted and clamped.



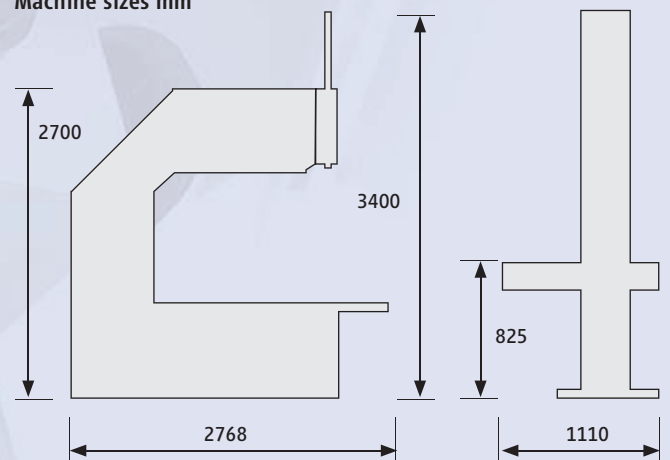
Technical data

	3 V
• Max. cutting height mm	1000
• Max. cutting width mm	1450
• Saw blade speed m/min.	1550
• Motor output kW	3.0
• Voltage	400 V / 50 Hz
• Max. saw blade length mm	7700
• Saw blade width mm	15 - 35 (0.6 mm thick)
• Wheel-Ø mm	3 x 600
• Extraction socket mm	4 x 100 diameter
• Table size mm	1940 x 1000 (steel)
• Table height mm	825
• Weight kg approx.	870

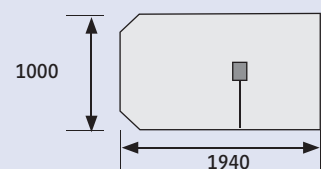
* recommended saw blade thickness = 1/1000 of the wheel diameter

Dimensions

Machine sizes mm



Machine table sizes mm

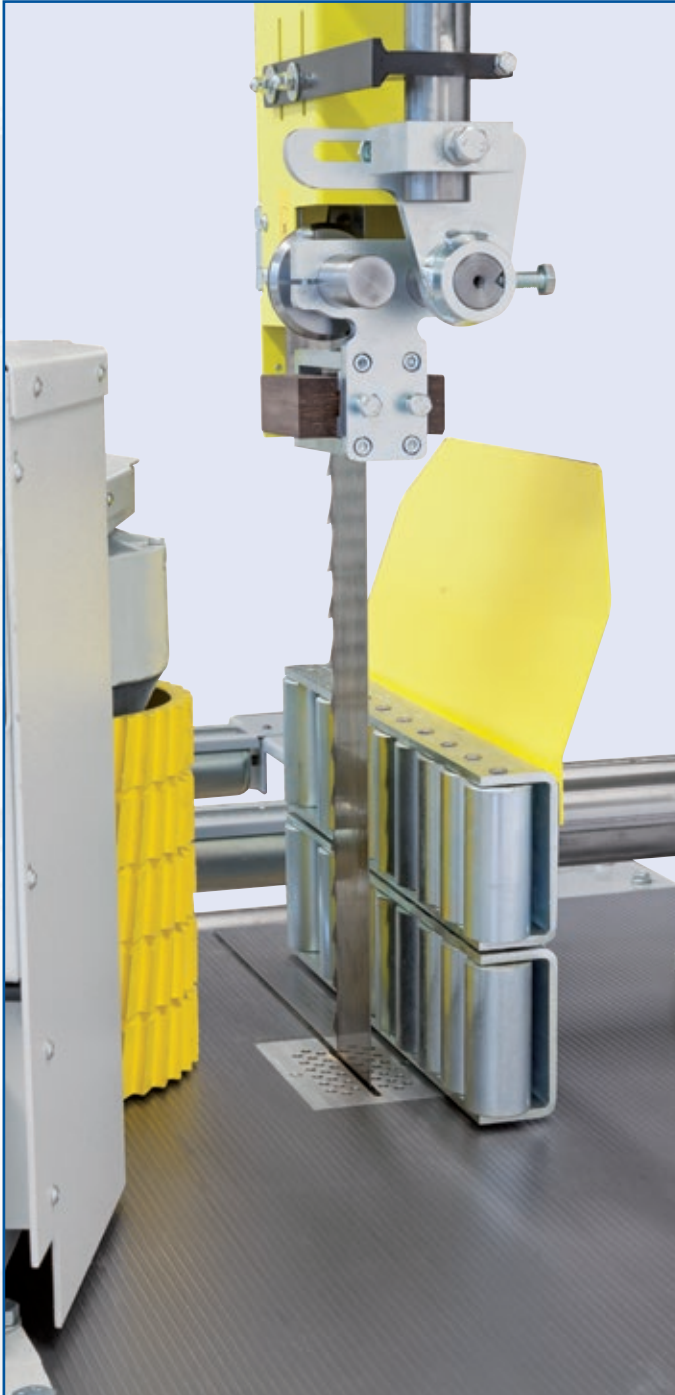


Band resaws TBS 800 R - 900 R



Technical equipment

- Special sliding saw blade guide, top and bottom
- Hardened back rollers
- Automatic saw blade lubrication
- Integrated blade clamping display
- Cutting height up to 580 mm
- Cutting width up to 880 mm
- Roll infeed unit with pneumatic adjustment
- Finely planed worktable of steel with supply roller table
- Replaceable table insert
- Robust double chamber welding construction
- Safety doors with limit switches
- Wheels in full cast steel, finely turned and balanced
- High-performance drive unit



Stable feed unit

The feed unit SR 026 P is part of the serial equipment. It can be adjusted pneumatically.

A maximum opening of 200 mm (left) or 230 mm (right) is possible between the feed unit and the saw blade.

The speed of the feed unit can be adjusted in 10 steps or smoothly (option).



Finest cuts

The blade guide is one of the most important parts for the band resaw as well. HOKUBEMA again uses a construction with stable components that are perfectly coordinated.

Cutting height and width can be set quickly and easily for the workpiece to be processed.

The diagonally interlocking and hardened roller at the feed unit ensures reliable infeed at the saw blade.

The roller is optionally available in rubberised design as well.

Band resaws 800 R / 900 R



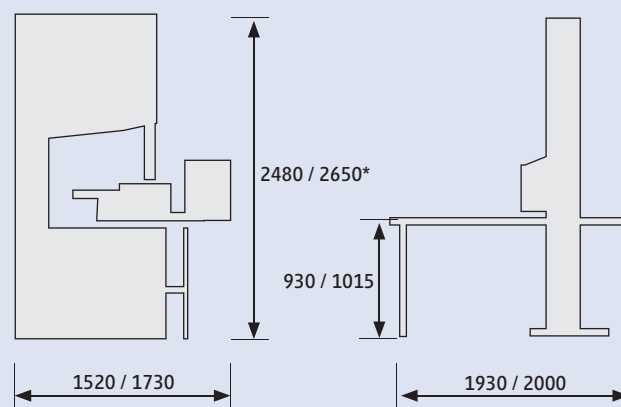
Technical data

	800 R	900 R
• Cutting height mm	460	580
• Cutting width mm	785	880
• Saw blade speed m/min.	1800	1820
• Drive motor	standard kW/HP option kW/HP	11/15 15/20
• Max. blade length mm	5730	6220
• Saw blade length mm	80	80
• Wheel-Ø mm	800	900
• Extraction socket mm (machine without support table)	2 x 120	2 x 120
• Table size mm	1200 x 925	1350 x 925
• Weight kg	820	920
• Workplace-related emission value dB(A) DIN 45 635 part 1661		
Idle sound dB/A	87.4	85.1
Operating sound dB/A	91.6	92.8
Dust emission mg/m ³	0.95	0.95

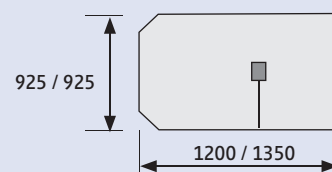
Minimum extraction speed at the extraction socket: 20 m/s

Dimensions

Machine sizes mm



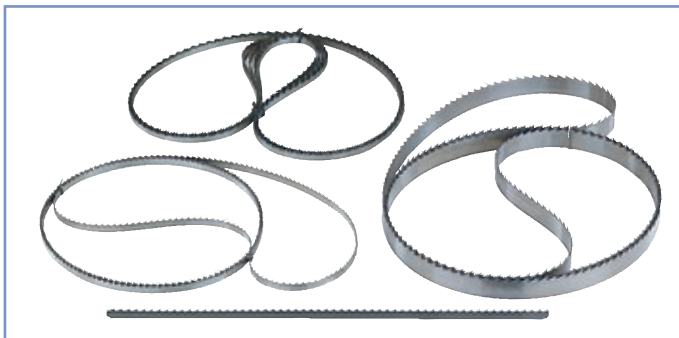
Machine table sizes mm



* 800 R / 900 R

Other designs on request.
Technical changes reserved.

Additional equipment from the HOKUBEMA SI-TEC programme



Band saw blades

For different areas of use and materials.



Table extension

Format: 172 x 1100 mm

Can be installed via attachment rails (see below).



Attachment rails

Can be installed at the worktable for attachment of accessories (e.g. table extension).

Drilling

Sawing

Milling

Planing

SI-TEC

Service