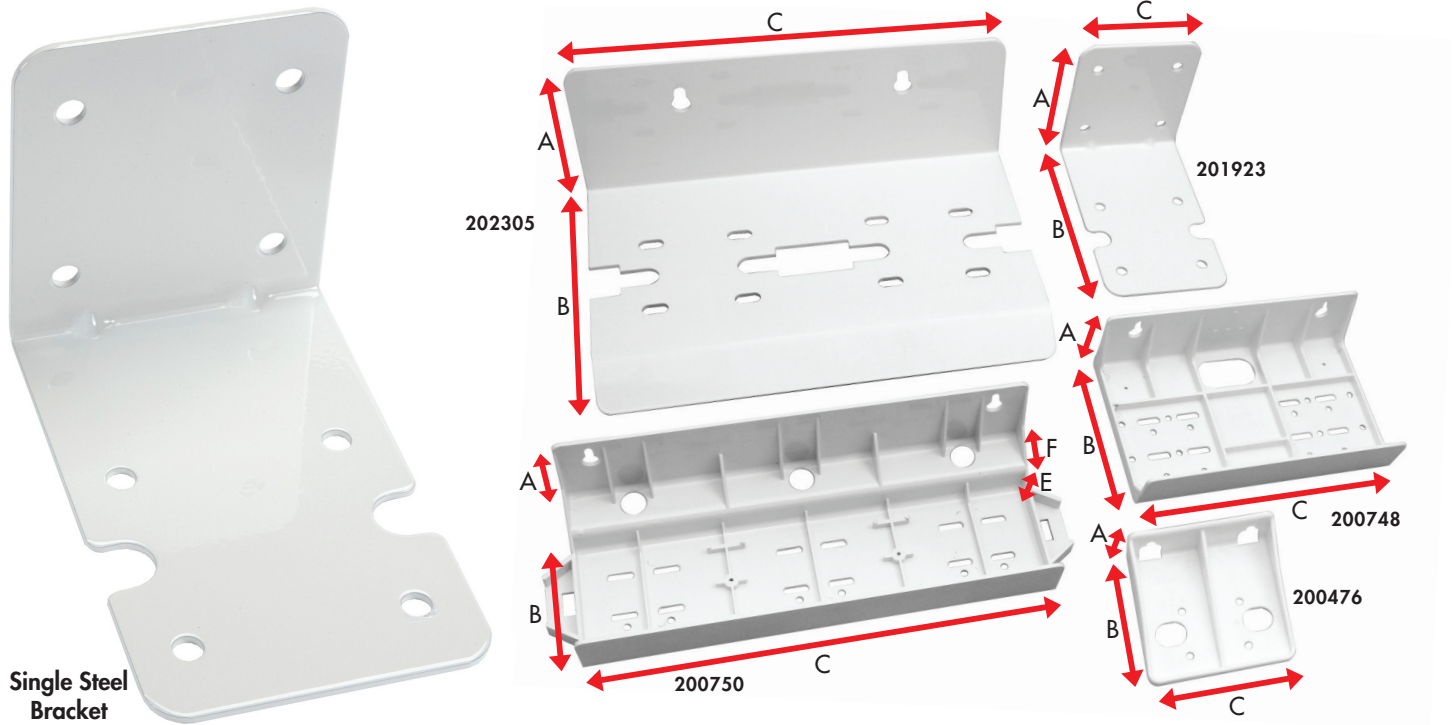


# AXEON

## Brackets and Clips

**AXEON Brackets** are available for mounting standard filter housings and residential reverse osmosis systems. They come in both plastic and steel body construction and are also available with machine screws, 5/16" lag bolts.



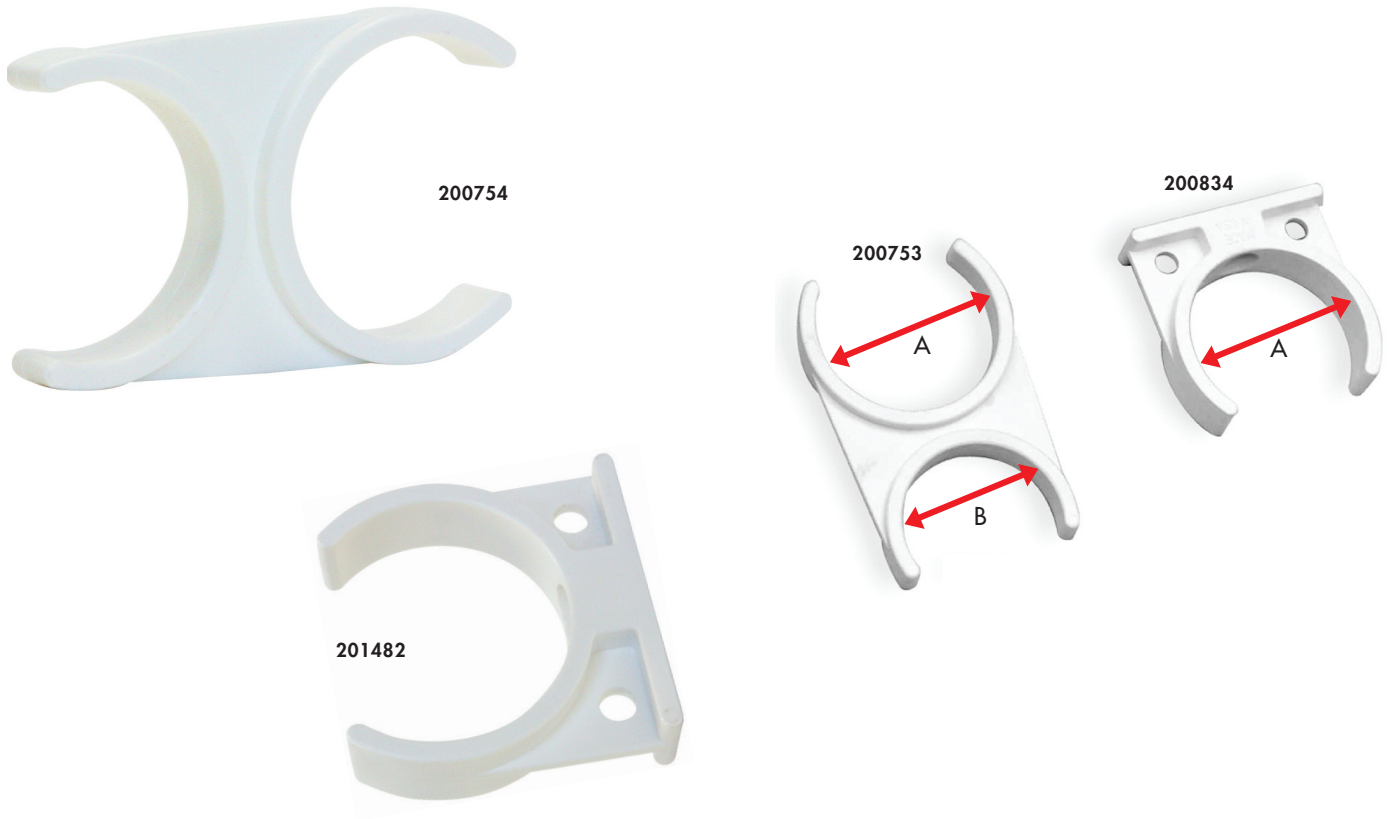
### Product Specifications

Part Number	Material	Stages	A (in / mm)	B (in / mm)	C (in / mm)	D (in / mm)	E (in / mm)	F (in / mm)	Filter Housing Size Compatibility (in)
200746	Plastic	Single	3.75 / 95.25	4.00 / 101.60	1.75 / 44.45	N/A	N/A	N/A	2.50
201923	Steel	Single	4.50 / 114.30	5.13 / 130.30	7.25 / 184.15	N/A	N/A	N/A	4.50
200748	Plastic	Double	2.38 / 60.45	5.25 / 133.35	8.38 / 212.85	N/A	N/A	N/A	2.50
203331	Steel	Double	15.13 / 384.30	4.25 / 108.00	8.50 / 215.90	N/A	N/A	N/A	4.50
200750	Plastic	Triple	2.50 / 63.50	4.25 / 108.00	13.38 / 339.85	1.75 / 44.50	1.0 / 25.45	1.25 / 31.15	2.50
200751	Steel	Triple	6.50 / 165.10	17.00 / 431.80	7.13 / 181.10	6.87 / 174.50	1.5 / 38.10	N/A	2.50
202305	Steel	Triple	22.25 / 565.15	5.75 / 146.05	9.75 / 247.65	N/A	N/A	N/A	4.50

Know Higher Standards™

# AXEON Brackets and Clips

AXEON Clips are available for mounting residential reverse osmosis filters, housings and components.



## Product Specifications

Part Number	Single / Double	A (in / mm)	B (in / mm)
201482	Single	2.00 / 50.80	N/A
200753	Single	3.00 / 76.20	N/A
200754	Double	2.50 / 63.50	2.00 / 50.80
203834	Double	2.50 / 63.50	2.50 / 63.50

