

WALDEN 8kW CAST IRON FIREPLACE

ASSEMBLY & OPERATING INSTRUCTIONS



This instructions manual contains important information necessary for the proper assembly and safe use of the appliance.

Read these instructions and warnings carefully so as to familiarize yourself with the appliance before operating the appliance.

Keep this manual for future reference.

megamaster[™]
TOGETHER, MADE BETTER[™]



Questions, problems, missing parts?

Before returning to your retailer, call our Customer Service Department at Tel: (010) 001 6342, 8 a.m. - 5 p.m., CAT, Monday-Thursday and Friday till 3 p.m. Or send us an E-mail at service@megagroup.co.za or visit us online at: www.megamaster.co.za

THIS MANUAL IS DESIGNED TO FIT INTO THE BOTTOM DRAWER, BUT THAT'S NOT WHERE IT BELONGS

We get it. You've just unboxed your Megamaster Freestanding Cast Iron Fireplace and you can't wait to fire it up.

At Megamaster, we believe anything worth doing is worth doing well. That's why, as with all of our products, we've put a lot of thought and effort into this user manual. It really is the first step towards making your time with friends, family truly better.

Manufactured in China. Distributed by Megamaster
+27 (0)12 802 1515 PO Box 15, Woodlands, 0072, South Africa
www.megamaster.co.za

megamaster
TOGETHER, MADE BETTER

At Megamaster, we understand that the warmth of the flames is really the warmth of human connection. And that the more we kindle it, the brighter it burns. Times may change. Technology may come or go. But there will always be one real and meaningful place for us to gather. For hugs. For smiles. For literally laughing out loud. Where our hearts and minds are free because we have everything we truly need.

We believe that, in those moments, it's more than a Fire. It's a celebration. It's together, made better.

Safety Instructions	4
Component View	5
Parts List	6
Assembly and Installation Instructions	7-13
Operating Instructions	14-17
Care and Maintenance	17-18
Troubleshooting	19
Warranty	20



AN ACCREDITED FIREPLACE INSTALLER SHOULD CARRY OUT THE INSTALLATION OF THIS FIREPLACE. ALTERNATIVELY, SHOULD A NONACCREDITED INSTALLER UNDERTAKE THE INSTALLATION, YOUR LOCAL BUILDING CONTROL OFFICER WILL BE REQUIRED TO APPROVE THE COMPLETED INSTALLATION. IF THE FIREPLACE IS NOT FITTED CORRECTLY, BY AN ACCREDITED PERSON OR OUTSIDE THE SCOPE OF THIS MANUAL IT COULD RESULT IN A HOUSE FIRE OR CARBON MONOXIDE POISONING.



WARNING

THIS FIREPLACE WILL BE HOT when in operation and due care should be taken. Thick gloves should be used to operate the primary/ secondary controls or reaching inside the fireplace to position fuel or remove ash.

FIRES CAN BE DANGEROUS - Always use a fireguard in the presence of children, the elderly or the infirm.

DO NOT OVERFIRE - it is possible to fire the fireplace beyond its design capacity. This could damage the fireplace, so watch for signs of over firing - if any part of the fireplace starts to glow red, the fireplace is in an over fire situation and the controls should be adjusted accordingly. Never leave the fireplace unattended for long periods without first adjusting the controls to a safe setting. Careful air supply control should be exercised at all times.

THIS FIREPLACE MUST BE CONNECTED TO A SUITABLE FLUE OUTLET. Due to high temperature this fireplace should be located well away from furniture and curtains. Children and adults should be alerted to the hazards of hot surfaces. Young children should be carefully supervised when they are in the same room as the fireplace. Do not place clothing or other flammable material on or near the fireplace. Keep the fireplace area clear of combustible materials, flammable liquids or vapours.

CARBON MONOXIDE POISONING CAN BE FATAL. Due consideration should be given to the dangers of carbon monoxide poisoning following incomplete combustion of solid fuels in an enclosed space.

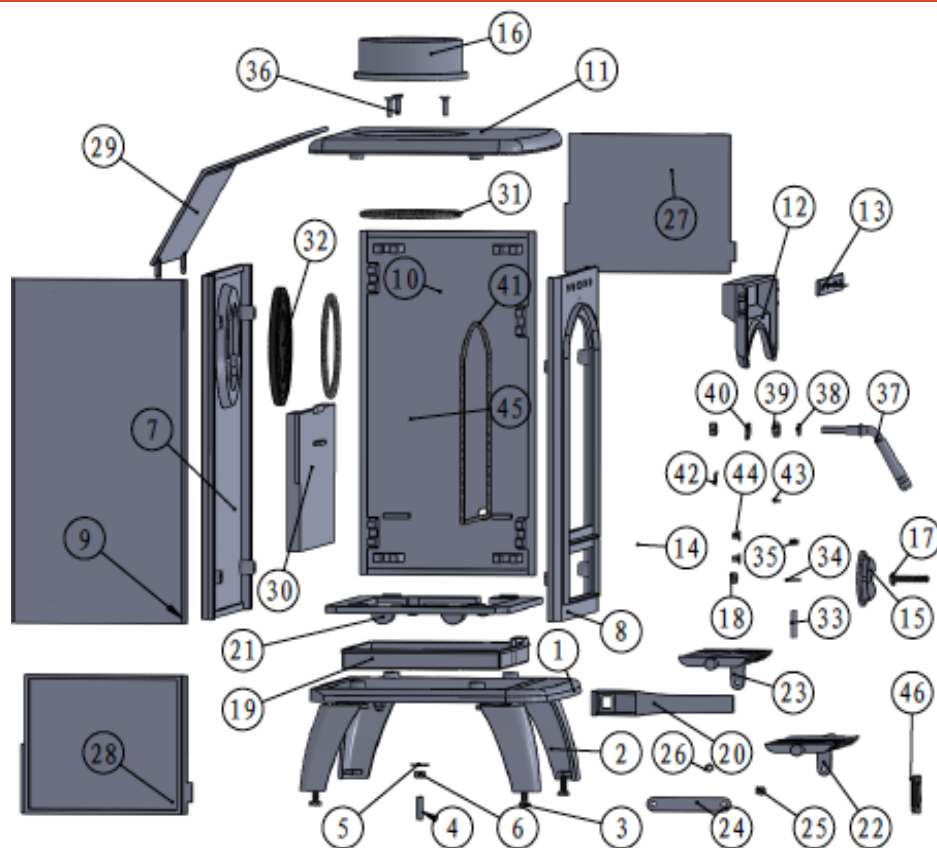
1. ALWAYS read and understand the manual before installing and commissioning the fireplace.
2. ALWAYS ensure the fireplace is installed in accordance with local regulations.
3. ALWAYS ensure that the fireplace is correctly installed and positioned as described in the diagram on page 7, and that the immediate area is kept clear.
4. ALWAYS check for damage before using the fireplace. Check for breakage of parts and any other condition that may affect the fireplaces performance. Any damage should be properly repaired or the part replaced. If in doubt, DO NOT use the fireplace. Consult your local dealer.
5. ALWAYS keep children and visitors at a safe distance from the fireplace.
6. NEVER direct any kind of liquid on to the fireplace, particularly when it is hot.
7. NEVER use gasoline or other flammable liquids for fire starting.
8. NEVER use the fireplace to incinerate materials other than recommended fuels.
9. NEVER carry out any modifications to this product. If experiencing difficulty of any kind consult your local dealer.
10. The installation of the fireplace and chimney MUST comply with all local building regulations. It is the responsibility of the owner and the installer to ensure that the installation complies.
11. All rooms where a fireplace is situated must have a non-motorized air vent (air brick). Refer to details contained in the Building Regulations.

PRODUCT SPECIFICATIONS



- | | |
|---------------------|-------------------|
| 1. Product Size | 620 X 360 X 440mm |
| 2. Material | Cast Iron |
| 3. Front Glass Size | 243 X 260mm |
| 4. Output | 8kW |
| 5. Flue Outlet | Top |
| 6. Net Weight | 86kg |
| 7. Flue Size | 125mm |

COMPONENT VIEW



PARTS LIST



Part Number	Part Description	Quantity	Part Number	Part Description	Quantity
1	Base Panel	1	24	Grates Link part	1
2	Leg	4	25	Bolt(for grate link)	2
3	Leg Securing Bolt Hex hd 8x25mm	4	26	Nut(for grate link)	4
4	Leg Securing Bolt Hex hd 8x30mm	4	27	Left Firebrick	1
5	Washer	4	28	Right Firebrick	1
6	Nut	4	29	Baffle Plate	1
7	Rear Panel	1	30	Rear Firebrick	1
8	Front Panel	1	31	Fire Rope Gasket	2
9	Left Panel	1	32	Flue Blanking Plate	1
10	Right Panel	1	33	Panel Retaining Bolt	18
11	Top Panel	1	34	Washer	18
12	Air Wash Cover	1	35	Nut	18
13	Upper Air Control Plate	1	36	Flue Mounting Screw C Sunk 6x25mm	6
14	Door Frame	1	37	Door Handle Knob	1
15	Air Inlet Disc	1	38	Spring Washer	1
16	Flue Adaptor	1	39	Handle Retaining Nut	2
17	Mounting Stud	1	40	Door Latch Tab	1
18	Nut Hex hd 8x30mm	1	41	Fire Rope Gasket(Small)	1
19	Ash Pan	1	42	Glass Securing Tab	4
20	Ash Pan Handle	1	43	Tab Retaining Socket Head Bolt	4
21	Grate Frame	1	44	Screws on the hinge	4
22	Grate A	1	45	Glass Panel	1
23	Grate B	1	46	Hinge	2

ASSEMBLY:

You can either:

- Use a registered installer who can self certify that the work he does complies with the relevant Building Regulations; or
- The consumer applies to their local authority building control department for a building notice, and pays the appropriate fee.

It is generally worthwhile to use an accredited installer who will supply a Certificate of Compliance as a record of the job and that it complies with Building Regulations

SUPPORTING FLOOR:

The fireplace must only be installed on floors with an adequate load bearing capacity and if the existing construction is not suitable, additional measures such as a load distributing plate must be provided. The hearth should be able to accommodate the weight of the fireplace and its chimney if the chimney is not independently supported.

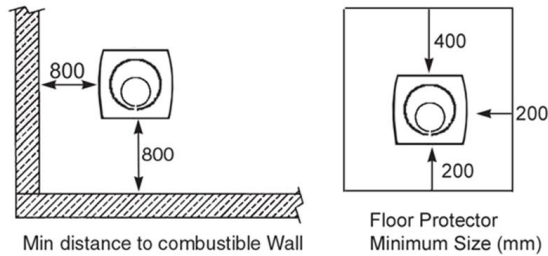
Fireplaces should stand wholly above hearths made of non-combustible board/sheet material or tiles at least 12mm thick, if the fireplace is not to stand in a recess and has been tested to an applicable standard to verify that it cannot cause the temperature of the upper surface of the hearth to exceed 100°C.

Constructional hearths should be made of solid, non-combustible material such as concrete or masonry, at least 125mm thick, including the thickness of any non-combustible floor and/or decorative surface.

Specific guidance for surfaces on which the fireplace may be allowed to stand should be of ceramic or concrete construction. When the fireplace is positioned near a wall constructed of flammable material, the distances shown on Fig 5 must be adhered to. Alternatively, a heat shield may be used, mounted according to the position of the fireplace. A firewall must be at least 100mm thick and typically made of brick, or concrete/stone.

MATERIAL CLEARANCE

The fireplace must have a minimum clearance of 1200mm to a combustible ceiling above.



It is recommended that the fireplace be installed at least 800mm from combustible materials. However, any household furnishings should be at least 1000mm away as they could be adversely affected by heat.

The fireplace can be recessed in a suitable sized fireplace but a permanent free air gap of at least 200mm must be left around the sides and top and at least 50 mm at the back of the fireplace to obtain maximum heat output and for access to the rear of the fireplace.

MINIMUM DISTANCE TO COMBUSTIBLE MATERIALS

Note: combustible material refers to any material that will degrade when subjected to heat e.g. plaster. Due to the heat of a hot fireplace, a suitable fireguard should always be used to provide additional protection. Never allow young children to be left unsupervised in a room containing a hot fireplace.

THE CHIMNEY

The fireplace is supplied with a flue pipe connector for top mounting with the fixing screws supplied. The fireplace should never be connected to a shared chimney/flue system. Flue pipes with a smaller cross-sectional area than that of the fireplace outlet should never be used. Flue pipes must not project into the chimney connector, such as to cause a restriction to the gas flow.

Fireplaces of up to 20kW rated output burning any fuel require 150 mm diameter (or rectangular flues having the same cross-sectional area and a minimum dimension not less than 125mm.

Liners should be installed in accordance with their manufacturers instructions. Appropriate components should be selected to form the flue without cutting and to keep joints to a minimum. Bends and offsets should be formed only with the matching factory-made components. Liners need to be placed with the sockets or rebate ends uppermost to contain moisture and other condensates in the flue. Joints should be sealed with fire cement, refractory mortar or installed in accordance with their manufacturers instructions.

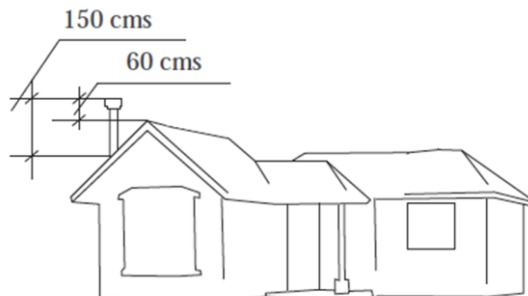
Ensure the joints are completely sealed, as air leakage will lead to poor performance. Avoid having more than two bends in the flue system. Any offset between bends should be minimized and the flue should be equipped with suitable access doors for inspection & cleaning.

THIS FIREPLACE MUST NOT BE INSTALLED INTO A CHIMNEY THAT SERVES ANY OTHER HEATING APPLIANCE. THERE MUST NOT BE AN EXTRACTOR FAN FITTED IN THE SAME ROOM AS THE FIREPLACE, AS THIS CAN CAUSE THE FIREPLACE TO EMIT FUMES INTO THE ROOM.

FLUE HEIGHT

The chimney height and the position of the chimney should conform to the manufacturers recommendations. Flues should be high enough to clear the products of combustion. The height necessary for this will depend on the type of the appliance, the height of the building, the type of flue and the number of bends in it, and an assessment of local wind patterns. However, a minimum flue height of 4.5m could be satisfactory. External flue pipes should be 'twin wall'. These retain the heat, enabling it to rise and disperse from the chimney. See diagram below for effective flue height recommendations.

The outlet from a flue should be above the roof of the building in a position where the products of combustion can discharge freely and will not present a fire hazard, whatever the wind conditions.



BENDS IN FLUES

Offsets in flues are only acceptable if the following rules are respected:

- a) The chimney system shall have no more than 4 bends in total; - 2 bends in the chimney and 2 bends in the flue pipe connection.
- b) The offset shall provide a change of direction no more than 45 degrees from the vertical.
- c) The run of the chimney between bends shall not exceed 20% of the total chimney length.
- d) The maximum length of the horizontal flue must not exceed 150mm (6").

INSPECTION AND CLEANING

Check that the chimney is in good condition, dry and free from cracks and obstructions. The diameter of the chimney should not be less than 150mm and not more than 230mm. If any of these requirements are not met, the chimney should be lined by a suitable method.

The chimney must be swept before connection to the fireplace. Where the chimney is believed to have previously served an open fire installation, it is possible that the higher flue gas temperature from the fireplace may loosen deposits that were previously firmly adhered, with the consequent risk of flue blockage. It is therefore recommended that the chimney be swept a second time within a month of regular use after installation.

Assuming that when the fireplace is first installed, the chimney is clean, and sound, then the chimney flue should be inspected part way through the burning season to establish the regularity of sweeping required. If you have any doubts about the suitability of your chimney, consult your local dealer/stockiest.

INSPECTION AND CLEANING

Any room or space containing a fireplace should have a permanent air vent opening of at least the sizes shown in the table below. For fireplaces designed to burn a range of different solid fuels, the air supply should be designed to accommodate burning the fuel that produces the highest heating output.

FIREPLACE AIR SUPPLY

Stove with no flue draught stabilizer	<p>Permanently open vents as below:</p> <p>If design air permeability > 5m³/h.m² then 550mm²/kW of appliance rated output above 5kW</p> <p>If design air permeability < 5m³/h.m² then 550mm²/kW for balance of appliance rated output</p>
---------------------------------------	--

There must always be a permanent means of providing air for combustion into the room in which the fire is installed. A permanent vent with a total free area of at least 550mm² for every kW rated above 5kW should be connected directly to the outside air or an adjacent room which itself has a permanent vent of the same size direct to the outside air. The fitting of an extractor fan to either of these rooms is not permitted.

CONNECTION TO THE CHIMNEY

This MUST be carried out by an accredited/competent person and/or approved by your local authority before using the fireplace.

Any existing flue must be in good condition with suitable access for collection and removal of debris.

It is also important that suitable flue pipe complying with manufacturer recommendations is used to connect the fireplace to the chimney flue and that suitable access is provided into the flue for regular inspection and sweeping of the flue ways.

Chimneys should be as straight as possible. Horizontal runs should be avoided except where the rear outlet of the appliance is used, in which case, the horizontal section should not exceed 150mm (6 inches) in length.

Refer to the typical installation diagrams, Fig 7-9. Flue connections must be well sealed.

A non-combustible register plate minimum 1.5mm thick should be fitted to all installations between the flue and the building structure.

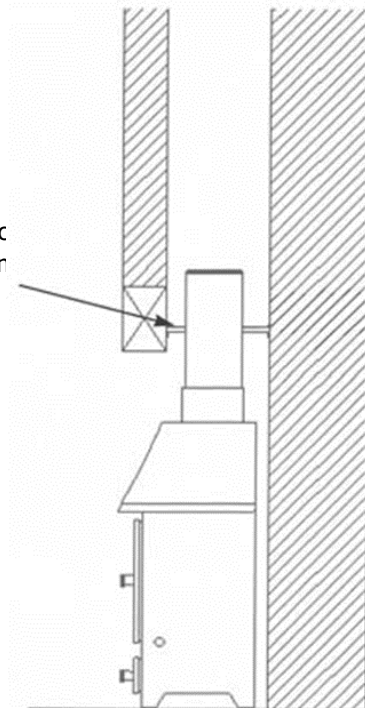
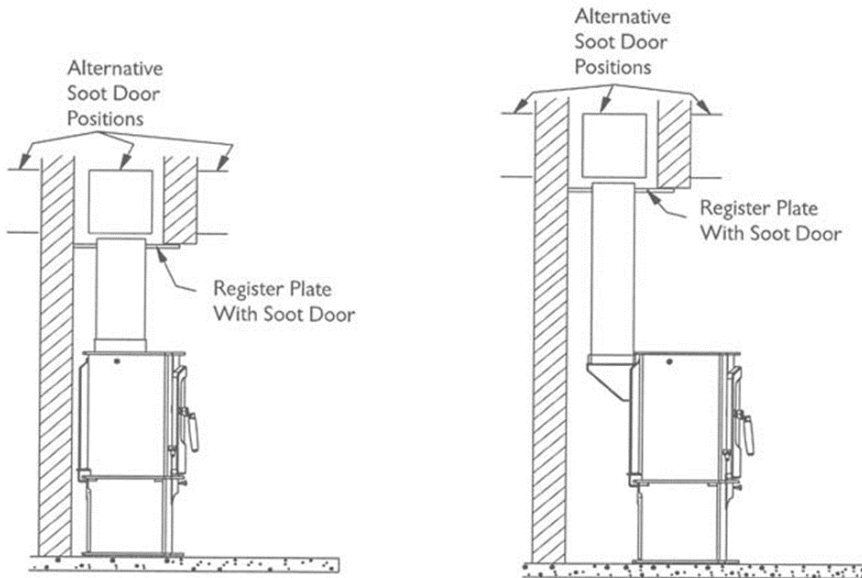


Fig 8: Horizontal register plate with top flue connection

Fig 9: Horizontal register plate with optional vertical rear flue connection

There are several ways of connecting the fireplace to the flue as shown in Figures 8 & 9. If the vertical rear flue is used, the chimney may be swept through the appliance. If it is not possible to pass the sweeps brush through the fireplace, a soot door will be necessary. This may be either in the actual brickwork of the chimney or fitted in the register plate. Various suitable positions of soot doors are shown in Figures 8 & 9.



CLEANING THE FLUE

Access for cleaning the flue should be incorporated in the system other than through the appliance (e.g. a soot door or access through a register plate).

Purpose-made soot doors and inspection lengths are available from your local fireplace specialist or installer. Ensure that the whole length of the flue can be reached from the soot door.

FUME EMISSIONS

To avoid chimney problems, your fire should not be burnt slowly for longer than 12 hours without a period of fast burning. Properly installed and operated, this fireplace will not emit fumes. Occasional fumes from de-ashing and refuelling may occur. Persistent fume emission must not be tolerated. If fume emission persists, the following immediate action should be taken:

1. Open doors and windows to ventilate room.
2. Let the fire out, or eject and safely dispose of fuel from the fireplace.
3. Check for flue chimney blockage and clean if required.
4. Do not attempt to re-light the fire until the cause has been identified and corrected.

If necessary, seek professional advice.

Important! Never fit an extractor fan in the same room as this fireplace.

THE CONTROLS

The amount of heat emitted by the fireplace is regulated using the following air controls:

- The primary air supply is controlled using the air regulator built into the front ash door (all models) and by the regulator in the feed door.
- A further air supply is controlled by turning the butterfly damper mounted at the top of the fireplace to provide an up draught to the chimney

WARNING

THE TEMPERATURES REACHED BY THESE ITEMS DURING OPERATION MAY CAUSE INJURY. AS THESE ITEMS ARE INTENDED TO BE ADJUSTED DURING OPERATION, IT IS RECOMMENDED THAT PROTECTIVE GLOVES ARE WORN



TYPES OF FUEL

Fuel should be dry and timber should be well seasoned so as to have moisture content below 20%. The use of damp wood will result in more soot and tar deposits being left in the chimney, flu and fireplace, and will not release heat if thermal energy is being used to drive out moisture from the fuel.

Other fuels can be used in conjunction with wood, provided the base of the fire remains as wood or compressed block fuels. Do not use the fireplace to incinerate other materials including household waste.

Avoid using 'green' unseasoned wood, treated wood such as telegraph poles, or plywood / chipboard containing glues and resins which pollute the environment and cause the fire to burn too quickly. Such materials can produce excessive tar or creosote which can be damaging and in extreme cases cause a fire inside the chimney. Looking at the end of the log can assess the dryness of wood. Radial cracks, deep enough to be considered as splits should be present in dry, seasoned logs. This level of dryness may take up to two years to achieve.

The maximum length of fuel suitable for this fireplace is approx. 25cm so as to lay flat over the embers, and logs of greater than 6 cm diameter should be split.



INITIAL SEASONING

Following installation, and before regular use, the fireplace must be seasoned to prevent cracking of the metal casting. This procedure should also be followed if the fireplace has not been used for prolonged periods (during the summer months for example), and is carried out as follows:

1. Light a small fire in the middle of the fireplace, well away from the sides.
2. Allow the fireplace to warm up slowly and evenly with the air controls almost closed, avoiding intense flames.
3. Keep the fire burning for three hours or so, gradually increasing the size of the fire using larger logs, which will burn naturally but slowly, keeping the fireplace on a low setting.
4. After a couple of days' burning at this level, increase the brightness & intensity of the fire gradually over the next 10 days.

Full strength fires should not be used until completion of approx. 20 days of mild use. Only from this time will the fireplace have been properly seasoned. It should be remembered that this procedure should be carried out at the beginning of each season of use in order to remove the moisture retained by the metal during the period of non-use. When used for the first time the fireplace may smell a little, due to fumes being given off. The fumes are not toxic but the room should be thoroughly ventilated. Let the fire burn with a high draught until no smells can be detected.

Take care not to open the fireplace doors too vigorously in case of causing smoke spillage. If smoke spillage occurs after the fire door has been opened this could be due to poor chimney draft. SEE TROUBLESHOOTING.

FIRE-LIGHTING WITH WOOD

1. Open the air controls.
2. Lay firelighters or rolled up newspapers on the grate with a reasonable quantity of dry kindling wood. Place 2 or 3 small logs on top.
3. Light the newspaper or firelighters using a long taper and close the door.
4. When the fire is burning strongly, add further logs up to 10 mm diameter.
5. When the fireplace is really hot, close the front air control as required. Ensure there are lasting flames until the wood becomes charcoal.

REFUELLING

1. Always open the doors slowly to avoid a sudden rush of intake air and smoke escaping into the room.
 2. Open the air controls and leave open for a few minutes to allow the gasses in the wood to burn before closing the air controls.
- The rate of refuelling and heat available are dependent upon individual requirements based upon the user's experience. When re-loading, it is normally necessary to burn the fireplace fast initially, to drive off any gasses and moisture, before closing the air vents to control the burn rate.
 - Ensure the doors are kept closed to contain fumes except when lighting up, re-fuelling or removing ash.
 - It is not recommended to leave the fireplace alight at night or to continue using the fireplace in mild weather, which gives poor combustion leading to a greater build-up of soot.
 - If overnight burning is required, can best be achieved by first driving off any gasses or moisture as usual, following a full charge of fuel and then closing the air vents fully. Experience will indicate the optimum setting.

However, by reducing the burn rate to such a level that the fire is still burning the following day, the burning process creates heavy, tarry chemicals which will become deposited on the inside of the flue or chimney. This is an inefficient process, which greatly increases the risk of a chimney fire and makes it necessary to sweep the chimney more often.

ASH REMOVAL

Keep the fireplace free from a heavy build-up of ash. The frequency of this is dependent upon the type and quality of fuel being used. Ash should be removed before it builds up to the underside of the grate, at which point, the grate would be burning hot on both sides, shortening its life expectancy.

When disposing of ashes, ensure they have cooled and always place in a metal container. Be sure to remove the ash when the fire is at its lowest point, such as first thing in the morning.



ACCESSORIES

Refer to the Megamaster website www.megamaster.co.za for a full range of flue kits, flue pipes and other accessories for use with this cast iron fireplace.

If disposing of this product or any damaged components, do not dispose of with general waste. Metal products should be taken to your local civic amenity site for recycling of metal products.



CLEANING

The inside of the fireplace may require regular cleaning, especially during periods of peak use, the frequency of this being indicated by experience. It is advisable to wear a dust mask, protective gloves and safety glasses when cleaning.

WARNING! MAKE SURE THE FIRE IS COMPLETELY BUNRED OUT BEFORE ATTEMPTING TO CLEAN THE FIREPLACE.

Use a stiff brush and industrial type vacuum cleaner to dislodge and remove as much material as possible, starting at the top of the fireplace and working down to the bottom. Particular attention should be given to the air inlet controls, which can become obstructed.

GENERAL MAINTENANCE

Take this opportunity to check for any damaged parts inside the fireplace. In the event of damage or broken components, please contact Megamaster Customer Service on:

TEL: +27 12 802 1515

Email: service@megamaster.co.za

The fireplace and flue way should be inspected and maintained when in a cold condition. NO unauthorized modification of this product should be carried out. This fireplace requires regular maintenance by a competent person.

FIREPLACE BODY

The fireplace is finished with a heat-resistant paint, which can be cleaned with a soft brush. Wait until the fireplace has cooled down before doing this. This finish can be renovated with heat resistant fireplace paint, although the paint may not be an exact match and it may be necessary to repaint the complete fireplace.

If the fireplace is purely ornamental, painting will provide a durable, attractive finish. If the fireplace is used for heating, a high temperature heat resistant paint (available from your hardware or paint dealer) must be used, in either aerosol or brush applied form. Should rust become apparent, clean thoroughly with a wire brush and apply a suitable anti-rust treatment.

During prolonged periods out of use, the air inlets should be left open and the door left slightly ajar in order to circulate fresh air and discourage condensation from forming which could encourage corrosion.

Surface rust may occur on the outside of the fireplace, coastal or humid regions can cause this to happen faster than arid or dry regions. Proper cleaning and retreating may need to be done seasonally.

Heavy rains and strong winds may cause rain water to enter via the flue pipe and flood the internal cavity of the fireplace. Check the inside of fireplace for rainwater after storms or heavy rains and clean where necessary to prevent rust. Consult your local installer for examination of the flue pipe installation should the problem be persistent after every rain.

CHIMNEYS AND FLUE-WAYS

It is important that the chimney, flue-ways and any connecting flue pipe are swept regularly. This means at least once a year for smokeless fuels and at least twice a year for wood and other fuels. Only wire-centered sweep's brushes fitted with a guide wheel should be used. If it is not possible to sweep all parts of the chimney through the fireplace, ensure there is adequate access to cleaning doors.

PROBLEM	CAUSE	SOLUTION
Fire to difficult to start Fire goes out	Wood too green, too damp or poor quality	Use recommended fuel
	Logs are too large	When lighting, use small, dry kindling
	Air starvation	Open lower and upper air controls
	Insufficient draught	Check that the flue is not obstructed - clean if necessary
Fire burns too quickly	Too much draught	Ensure that the lower air control is closed. Partially close the top air control
	Excessive draw	Install a draught stabilizer. Consult your installer
	Poor quality wood	Use recommended fuel
Fireplace smokes when lighting up	Flue duct is cold	Burn paper and kindling wood to increase heat
	Room is at negative air pressure to the outside	In houses equipped with mechanical ventilation, open a window until the fire is well established
Low heat output	Incorrect fuels	Use recommended fuel
Smokes while burning	Draught is insufficient	Check that the flue is not obstructed - clean if necessary
	Downdraught present	Install an anti-downdraught cowl. Consult your installer
	Room is at negative air pressure to the outside	In houses equipped with mechanical ventilation, open a window until the fire is well established
Smoke spillage when opening the door	Chimney not tall enough to be clear of the roof	Increase height of chimney
	Poor sealing of flue pipe joints	Re-connect flue and replace joining material
	Flue is partially blocked with soot	Clean chimney
	House too tightly sealed	Ensure fresh air supply is reaching the fireplace

WARRANTY



The manufacturer warrants to the original consumer-purchaser only that this product (Conza Cast Iron Fireplace) shall be free from defects in workmanship and materials after correct assembly and under normal and reasonable home use for the periods indicated below beginning on the date of purchase. The manufacturer reserves the right to require photographic evidence of damage, or that defective parts be returned, postage and/or freight pre-paid by the consumer, for review and examination. Megamaster obligation is limited to repair, replacement, or depreciated value, at the option of Megamaster.

- Cast iron body: 5 year LIMITED warranty (*Does not cover dropping, chipping, cracking, surface corrosion, scratches or rust.)**
- Removable parts: 1 year LIMITED warranty (*Does not cover dropping, chipping, cracking, surface corrosion, scratches or rust.)**

The following is not covered by this guarantee or warranty:

1. Glass Panel
2. Rope and gasket seals
3. Paint discolouration

Upon consumer supplying proof of purchase as provided herein, Manufacturer will repair or replace the parts which are proven defective during the applicable warranty period. Parts required to complete such repair or replacement shall be free of charge to you except for shipping costs, as long as the purchaser is within the warranty period from the original date of purchase. Reasonable proof of your date of purchase. The original consumer-purchaser will be responsible for all shipping charges of parts replaced under the terms of this limited warranty. This limited warranty is applicable in South Africa only, is only available to the original owner of the product and is not transferable. Manufacturer requires, you should retain your sales receipt and/or invoice. If the unit was received as a gift, please ask the gift-giver to send in the receipt on your behalf, to the below address. Defective or missing parts subject to this limited warranty will not be replaced without registration or proof of purchase. Missing parts needs to be reported within 7 days of purchase. This limited warranty applies to the functionality of the product ONLY and does not cover cosmetic issues such as scratches, dents, corruptions or discolouring by heat, abrasive and chemical cleaners or any tools used in the assembly or installation of the appliance, surface rust, or the discoloration. Surface rust, corrosion, or powder paint chipping on metal parts that does not affect the structural integrity of the product is not considered a defect in workmanship or material and is not covered by this warranty. This limited warranty will not reimburse you for the cost of any inconvenience, food, personal injury or property damage. If an original replacement part is not available, a comparable replacement part will be sent. You will be responsible for all shipping charges of parts replaced under the terms of this limited warranty.

MANUFACTURER WILL NOT PAY FOR:

- Service calls to your home.
- Repairs when your product is used for other than normal, single-family household or residential use.
- Damage resulting from accident, alteration, misuse, lack of maintenance/cleaning, abuse, fire, flood, acts of God, improper installation, and installation not in accordance with electrical or plumbing codes or misuse of product.
- Replacement parts or repair labour costs for units operated outside South Africa.
- Pickup and delivery of your product.
- Postage fees or photo processing fees for photos sent in as documentation.
- Repairs to parts or systems resulting from unauthorized modifications made to the product.
- The removal and/or reinstallation of your product.
- Shipping cost, standard or expedited, for warranty/non warranty and replacement parts.

DISCLAIMER OF IMPLIED WARRANTIES; LIMITATION OF REMEDIES

Repair or replacement of defective parts is your exclusive remedy under the terms of this limited warranty. Manufacturer will not be responsible for any consequential or incidental damages arising from the breach of either this limited warranty or any applicable implied warranty, or for failure or damage resulting from acts of God, improper care and maintenance, grease fire, accident, alteration, replacement of parts by anyone other than manufacturer, misuse, transportation, commercial use, abuse, hostile environments (inclement weather, acts of nature, animal tampering), improper installation or installation not in accordance with local codes or printed manufacturer instructions.

THIS LIMITED WARRANTY IS THE SOLE EXPRESS WARRANTY GIVEN BY THE MANUFACTURER. NO PRODUCT PERFORMANCE SPECIFICATION OR DESCRIPTION WHEREVER APPEARING IS WARRANTED BY MANUFACTURER EXCEPT TO THE EXTENT SET FORTH IN THIS LIMITED WARRANTY. ANY IMPLIED WARRANTY PROTECTION ARISING UNDER THE LAWS OF ANY STATE, INCLUDING IMPLIED WARRANTY OF MERCHANTABILITY OR FITNESS FOR A PARTICULAR PURPOSE OR USE, IS HEREBY LIMITED IN DURATION TO THE DURATION OF THIS LIMITED WARRANTY.

Neither dealers nor the retail establishment selling this product has any authority to make any additional warranties or to promise remedies in addition to or inconsistent with those stated above. Manufacturer's maximum liability, in any event, shall not exceed the documented purchase price of the product paid by the original consumer. This warranty only applies to units purchased from an authorized retailer and or re-seller.

If you wish to obtain performance of any obligation under this limited warranty, you should write to:

**Megamaster Customer Service
PO Box 15, Woodlands, 0072, South Africa**

All consumer returns, parts orders, general questions, and troubleshooting assistance can be acquired by calling 010 001 6342 or sending an e-mail to service@megagroup.co.za