



Doorway Foam Unit

Twin-line



Item Number: DS4

Draws from concentrated product

Dilutes product at ratios of 38:1 to 183:1
(water:chemical)

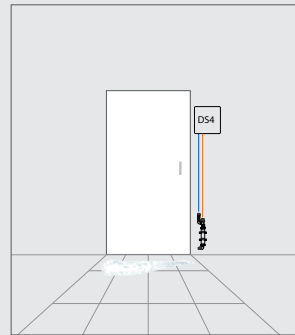
Repeat cycle timer

Quick-change pump

Supports up to three twin-line stainless steel
nozzle assemblies

Up to 100 ft (30.5 m) total distance between
control box and nozzle(s) (distance does not
need to be evenly distributed)

ONE NOZZLE

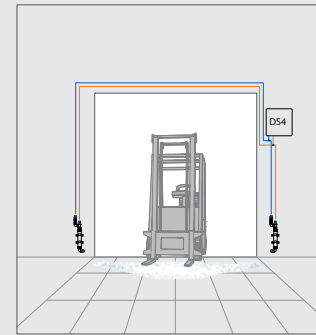


Foam pattern: Up to 9x5 ft.

Spray tip: ST80200

Item Number: DS4 | Control
box and one nozzle assembly

TWO NOZZLES

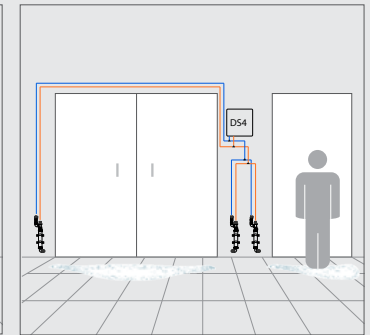


Foam pattern: Up to 8x4 ft. at
each nozzle

Spray tip: ST80100

Item Number: DS4-2 | Control
box and two nozzle assemblies

THREE NOZZLES



Foam pattern: Up to 6x3 ft. at
each nozzle

Spray tip: ST8060-1/2

Item Number: DS4-3 | Control
box and three nozzle assemblies