

My Water Filter

CREATE THE BEST WATER YOU CAN

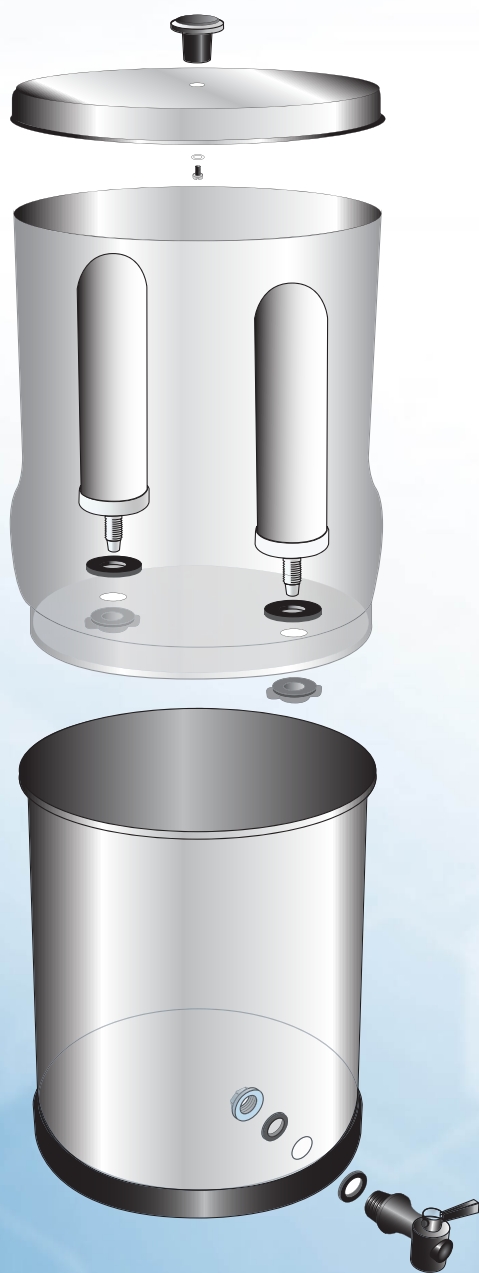


SS Gravity Drinking Water Filter

Assembly, Operating and Maintenance Instruction

The SS Drinking Water Filter:

- is designed to be free standing on a stable surface
- can be fitted with 2, 3 or 4 ceramic filter elements
Note: the number of elements supplied will depend on the type of filter purchased
- should only be used for the treatment of cold water
- is designed to filter out harmful bacteria from water



Extreme cleanliness is important. Wear rubber gloves or wash hands thoroughly before and after handling the product and take care to ensure that no contamination of the components occurs during assembly and cleaning.

Tap Assembly:

Remove the plastic nut. Moisten both rubber washers with clean water

Place one washer over the threaded part of the tap and then insert the threaded part through the hole in the side of the bottom chamber as illustrated

Replace the second rubber washer onto the thread protruding through to the inside of the bottom chamber and secure the tap in place with the nut. To achieve a tighter seal, hold the outlet tap until the nut is hand tight. Then hold the nut and tighten the assembly by rotating the tap body through at least a quarter turn to reach the upright position

Ceramic Filter Assembly:

Fit the knob onto the lid by inserting the screw up through the hole in the lid and screwing on the knob, hand tighten only

Remove all protective packaging from the filter elements

Place a sealing washer over each filter element mount stem

Place the filter element mount stem through the holes in the base of the top chamber

Secure each filter element in place by screwing a wing nut onto the threaded stem protruding through the holes

Put the top chamber onto the bottom chamber and place the lid in position

Filter Operation:

Ensure the outlet tap is in the "off" position

Fill the top chamber with water and replace the lid

Leave to allow the water to filter through the ceramic filter elements and collect in the bottom chamber, from where it can be accessed via the tap. The maximum flow rate will be achieved once the ceramic filter elements have become fully saturated - usually after filtering of 2-3 full chambers of water

It is recommended that this first supply of filtered water is thrown away, as it may contain loose material washed from the filter elements

The filter is now ready for use

The top chamber can be replenished with more water as required

Ceramic Filter Cleaning:

Due to filtration of particulate contaminants from the water during use, the flow of the water from the filter may reduce over a period of time, depending on the quality of the water. To restore the water flow to its normal level, simply clean the filter elements as follows:

Remove the elements from the top chamber by unscrewing the wing nuts

Hold the filter elements in a bowl of water or under running water. To avoid contamination of the open ended plastic threaded mount, take care to ensure that the mount is always clear of the water NEVER use soap or detergents

Take a soft bristle brush or lightly abrasive pad and cup it around the circumference of the filter element

Apply a gentle pressure with the brush or pad and slowly work down the length of each filter element once, ensuring the cleaning is even over the whole filter element surface

Replace the filter elements as per assembly instructions above

Refill the top chamber and replace the lid

The filter is now ready for use

Manufactured by:

Doulton Water Filters, Newcastle, Staffordshire, ST5 9BT, United Kingdom.

Telephone: +44 (0) 1782 664420

Fax: +44 (0) 1782 664490

Email: filtersales@doulton.com

Website: www.doulton.com

British Berkefeld® is a trademark registered to Fairey Industrial Ceramics Limited.

www.doulton.com

