



HOSHIZAKI

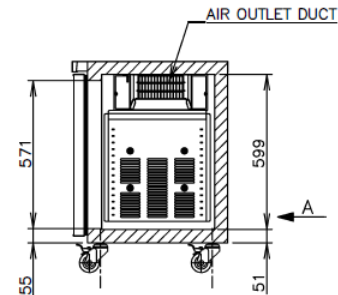
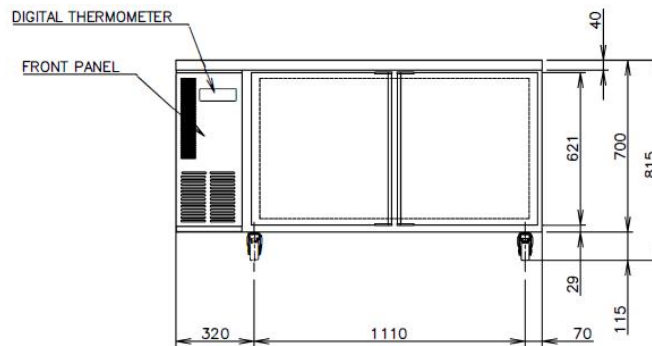
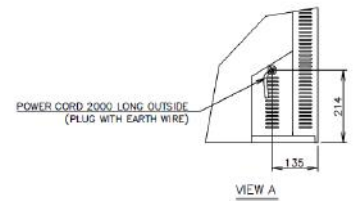
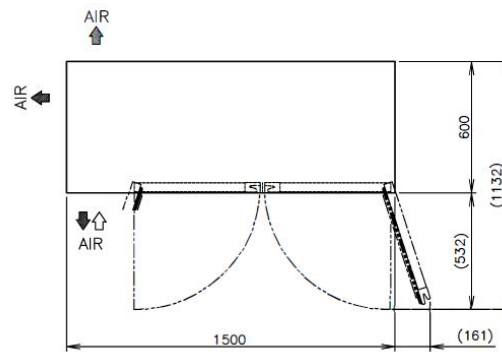
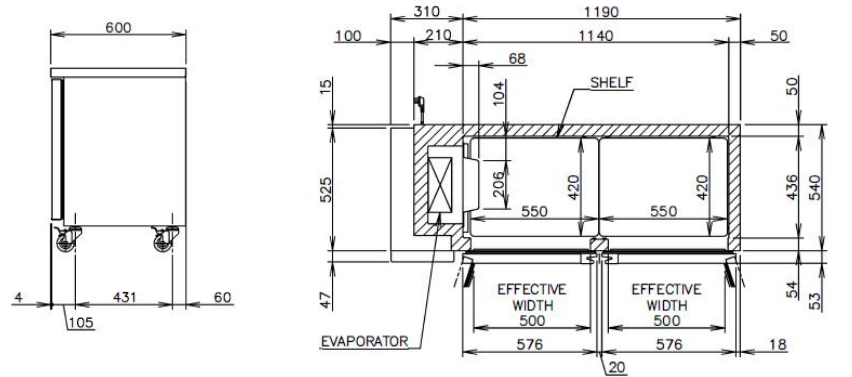
RT-156MA-A

Undercounter Refrigerator

PRODUCT FEATURES

- Complete with stainless steel top.
- Standard with 4 shelves and 2 doors.
- Programmable electronic controller and display.
- 2 years parts and labour warranty.
- Comes standard with 4 x lockable (115 mm) castors (not legs).
- Optional Adjustable legs 150 - 180mm (Sold separately).

TECHNICAL DRAWING



PRODUCT SPECIFICATION



Interior	Stainless Steel, ABS Plastic (Doors)
Exterior	Stainless Steel, Galvanized Steel (Rear/Bottom), ABS plastic (Top & Bottom on Door)
Effective Capacity	318L
Temperature Control	Microprocessor (Digital Temp Indication) Adjustable from -6 to 12°C
Evaporator	Fin & Tube type
Outside Dimensions	1500mm (W) x 600mm (D) x 815mm (H)
Inside Dimensions	1140mm (W) x 436mm (D) x 599mm (H)
Refrigeration System	Forced Air Circulation
Weight Net/Gross (kg)	81 / 86
AC Supply Voltage	1 PHASE 220-240V 50Hz /10amp Plug
Amperage	Rated: 2.0A
Refrigerant	R134a
Operating Conditions	Ambient Temp.: 5-43°C Voltage Range: Rated Voltage ±6%



Descriptions and specifications are subject to change at any time, without notice. Illustrations for demonstration purposes.

Copyright © 2020 Hoshizaki Lancer Pty Ltd. All right reserved. E&OE Date: Sept2020