

# PANHANS

QUALITÄT SEIT 1918



245|10

245|20

245|100

245|200

245|300

## SPINDLE MOULDERS

MADE IN GERMANY

**HO|KU|BE|MA Maschinenbau GmbH**  
Graf-Stauffenberg-Kaserne Sigmaringen  
Binger Straße 28 | Halle 120  
72488 Sigmaringen | Germany  
Phone: +49 (0)7571 755-0  
Fax: +49 (0)7571 755-222  
info@hokubema-panhans.de  
[www.PANHANS.de](http://www.PANHANS.de)  
[www.ichbinWOODPECKER.de](http://www.ichbinWOODPECKER.de)  
[www.HOKUBEMA.com](http://www.HOKUBEMA.com)



Managing Director: Reinhold Beck  
Operations Manager: Alexander Beck

Status: 03|2022

Subject to technical and optical changes.  
No liability for errors and altered images.



MADE IN GERMANY

**PANHANS**  
QUALITÄT SEIT 1918

**SIITEC**  
SICHERHEITSTECHNIK



# FOREWORD



REINHOLD BECK,  
MANAGING DIRECTOR  
(RIGHT IN THE PICTURE)  
ALEXANDER BECK,  
OPERATIONS MANAGER  
(LEFT IN THE PICTURE)

## THE FAMILY COMPANY WITH EXPERIENCE

HO|KU|BE|MA Maschinenbau GmbH is a family-owned company that develops and distributes reliable and innovative machines for PANHANS. As a competent specialist company, we offer a comprehensive range of services in the development and manufacture of machines and systems for wood, plastic and metal processing companies. Our traditional company combines many years of knowledge from professional activity with the most modern requirements of today and develops innovative solutions.

Equipped with the most modern machines, we guarantee the conscientious and high quality of our products. Decades of experience and expertise flow into every job. Our quality standards are extremely high in order to achieve the best possible product for you. In compliance with the test criteria, the solid German machine construction is produced in accordance with the regulations. As a successful medium-sized company, we manufacture high-quality machines

with precision „Made in Germany“ at our Sigmaringen site in Baden-Württemberg.

With our machines, we not only want to satisfy you as a customer, but also to make you enjoy working with products from HO|KU|BE|MA. For us, service means that you as a customer are satisfied and can get the information you need in different ways at any time. Sometimes the service by phone, mail or WhatsApp is not enough. In this case we are also happy to offer you our on-site service. A trained and competent service technician will assist you in your workshop. The on-site service also includes maintenance and repair work on the machines, if required. If required, the on-site service also includes maintenance and repair work on the machines.

**The longevity of your PANHANS machine is close to our hearts. We see ourselves not only as a service provider and supplier, but much more as the specialist partner at your side.**

REINHOLD BECK  
MANAGING DIRECTOR

ALEXANDER BECK  
OPERATIONS MANAGER

# SPINDLE MOULDERS

## MACHINE OVERVIEW

Precise work at the highest level is required for the production of a wide variety of parts. Components have to be manufactured with an exact fit and later brought together. This precision work requires not only specific tools, but also a reliable machine with a pleasant and advantageous operating concept. A spindle moulder from PANHANS has such a well thought-out operating concept for precise work. In addition to effective, economical and safe working, the tilting spindle moulder also provide a special customer benefit: The storage of various tools and programs.



SPINDLE MOULDER

**245|10**

**EQUIPMENT DETAILS**  
FROM PAGE 06

**OPTIONS + EXTENSIONS**  
FROM PAGE 07



SPINDLE MOULDER

**245|20**

**EQUIPMENT DETAILS**  
FROM PAGE 14

**OPTIONS + EXTENSIONS**  
FROM PAGE 15



SPINDLE MOULDER

**245|100**

**EQUIPMENT DETAILS**  
FROM PAGE 24

**OPTIONS + EXTENSIONS**  
FROM PAGE 25



SPINDLE MOULDER

**245|200**

**EQUIPMENT DETAILS**  
FROM PAGE 34

**OPTIONS + EXTENSIONS**  
FROM PAGE 35



SPINDLE MOULDER

**245|300**

**EQUIPMENT DETAILS**  
FROM PAGE 44

**OPTIONS + EXTENSIONS**  
FROM PAGE 45

# 245|10



**MOTOR POWER**  
5.5 kW / 7.5 PS



**VOLTAGE**  
400 V / 50 Hz



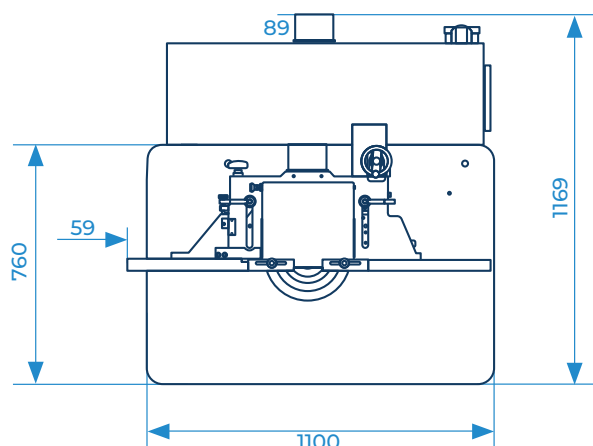
**SPACE REQUIREMENT**  
approx. 1200x1400 mm

Solid basis and highest quality level: The tilting spindle moulder 245|10 consciously abstains from electronic controls and functional elements.

## TECHNICAL SPECIFICATIONS

Table size	1100x760 mm
Table height	870 mm
Milling spindle with quick clamping nut	30 mm
Clamping height	140 mm
Height adjustment	140 mm
Spindle tilt range	-5 / +45.5°
Speed	3000 / 4500 / 6000 / 9000 rpm
Milling protection and pressure device	GAMMA V 1629
Ring fence	1639 Tapoa
Suction nozzles	2x ø 120 mm
Net weight	approx. 800 kg
Drive belt tensioning device	
Optional milling spindle with different diameter	
Counterclockwise and clockwise rotation	
Finely planed cast iron table	
Operation via handwheel at the bottom of the machine stand	
Milling fence 215 total adjustment via handwheel incl. multiplex fence plates	
Mechanical motor brake	
Digital position and speed indicators	
Height and tilt adjustment via handwheels	

ART. NO.: 4523



## HIGHLIGHT FOCUS ON QUALITY

Manual adjustment wheels and analogue displays have been combined with high-quality materials, careful manufacturing and maximum functionality.



## FUNCTIONS

- 1 MILLING SPINDLE**  
Table spindle moulder with one-sided tiltable fixed spindle. Tilt range  $-5^{\circ}$  to  $+45.5^{\circ}$ .
- 2 MILLING FENCE**  
Equipped with milling fence type 215, with multiplex fence plates, total adjustment via handwheel and individual jaw adjustment via star grip and scale.
- 3 GREY CAST IRON TABLE**  
Finely planed cast iron table for optimum machining and durability.
- 4 MAIN SWITCH**  
Lockable main switch for more safety when working. Also equipped with an electric motor brake and a machine socket.
- 5 CONTROL**  
Operation via handwheel, clearly visible at the bottom of the machine body.
- 6 ENGINE POWER**  
With an engine power of 5.5kW, 4 speeds are available in the standard version by shifting the drive belt.
- 7 GAUGES**  
Indication and adjustment for height and swivel adjustment is carried out via the analogue dial gauges and handwheels.

FIGURE SHOWS TYPE 245|10 WITH RIGID FRAME SUPPORT.

## EQUIPMENT DETAILS + OPTIONS: 245|10

### ADJUSTMENT WHEELS OPERATION

The analogue dial indicators show the current values. The height and swivel adjustments are carried out manually via adjustment wheels.



### 4 SPEEDS

The four speeds 3000 / 4500 / 6000 / 9000 rpm are indicated by an electric speed indicator and changed over by a quick belt tensioning device.



### OPTION:

#### MILLING FENCE 216

The total adjustment can be made via the handwheel and the LCD indicator. The individual jaw adjustments including cast fence plates are made via star knob and scale.

ART. NO.: 4274



### OPTION:

#### HYDRAULIC SWIVEL-AWAY DEVICE

The hydraulic swivel-away device ensures comfortable and safe lifting and swivelling of the milling fence. The fence can be lifted off and swivelled backwards quickly and effortlessly during curved milling work.

ART. NO.: 4349



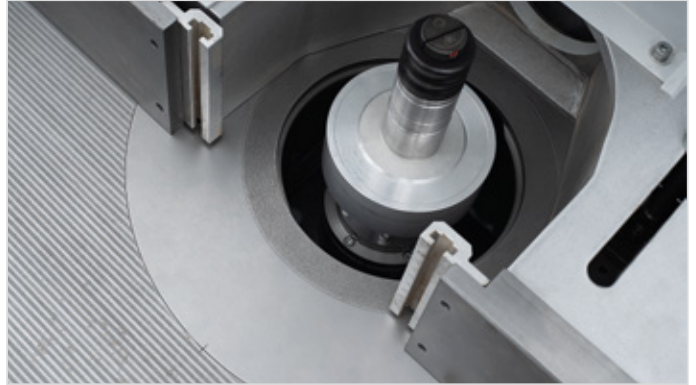


**OPTION:**

**TURNTABLE**

This allows the milling fence to be rotated 360° on the machine table (only for table top 1100x760 mm).

ART. NO.: 4466



**OPTION:**

**EXTENDABLE FRAME SUPPORT, FOR TABLE TOP 1100X760 MM**

Total length approx. 1375 mm, pull-out depth approx. 892 mm from the milling spindle centre, guided in separate bearing blocks at the side of the machine table, smooth-running, with emergency stop button.

ART. NO.: 4232



**OPTION:**

**TABLE TOP EXTENSION ON BOTH SIDES**

For table top 1100x760 mm, total length 2300 mm, consisting of 2 pieces of finely planed cast iron table tops as extension each on the left and right side of the standard machine table, with smooth-running frame support approx. 870 mm extendable to the front, with emergency stop button.

ART. NO.: 4630



**OPTION:**

**KICKBACK GUARD 1648**

For safe insertion milling of long and short parts, infinitely adjustable from 0–1500 mm, for spindle moulders with table top extension.

ART. NO.: 2002



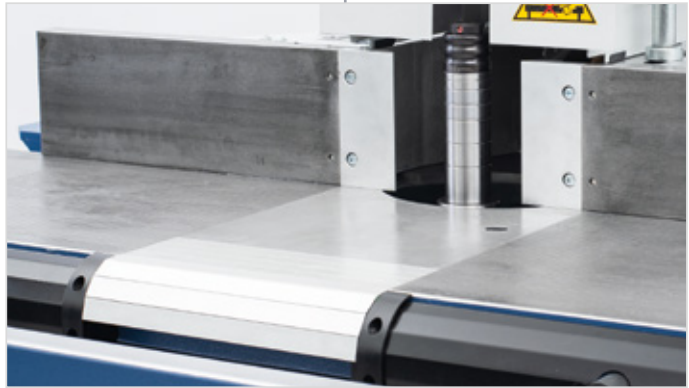
## EQUIPMENT DETAILS + OPTIONS: 245|10

### OPTION:

#### TABLE SLIDE PLATE, FOR TABLE TOP 1100X760MM

The patented slide plate top with grid structure does not change the total depth when the table slide is placed on the max. table openings. The distance from the front edge to the spindle remains the same, for easy operation. The table slide plate is infinitely adjustable in depth. A high fitting accuracy without interfering edges is guaranteed.

ART. NO.: 4467



### OPTION:

#### 1 SET OF SAFETY RULERS FOR MILLING FENCES

As a continuous guide between the two fence plates consisting of 2 pieces of ruler 260x6 mm, 3 pieces of ruler 260x3 mm, 1 moulding board of multiplex 260x150x12 mm, including sliding blocks and Allen key.

ART. NO.: 2093



### OPTION:

#### CENTREX

Milling protection and pressure device for secure fixing of workpieces during manual milling operations; the special shape of the pressure shoe ensures precise workpiece guidance during all milling operations, fixed to the milling fence, can be folded up, instead of standard milling protection and pressure device GAMMA V 1629.

ART. NO.: 2220



### OPTION:

#### TENONING AND SLOTTING DEVICE 1376

Mounted on the machine table for light tenoning and slotting work with eccentric clamp and adjustable mitre fence. Sliding length 710 mm, height above table approx. 56 mm. When working with the tenoning and slotting device 1376, the protective cover type 1641 must be used.

ART. NO.: 4547



**OPTION:**

**PROTECTIVE COVER 1641**

For tenoning and slotting attachment with suction nozzle  $\varnothing$  120 mm for tool diameters from 250 to 350 mm.

ART. NO.: 2235



**OPTION:**

**POWER FEEDER PV 84**

4 rollers 120x60 mm, 8 speeds: 2/4/5.6/6.7/11/13/16.5/33 m/min, two directions of rotation, stand with extension arm 1050 mm, can be used individually horizontally and vertically, incl. mounting, cable and plug.

ART. NO.: 4029



**OPTION:**

**POWER FEEDER VARIOMATIC 4 N**

4 rollers, infinitely variable feed speed from 2–18 m/min. Two directions of rotation, quick turning from horizontal to vertical use; easy swivelling away and positioning with memory-lock system; with comfort stand, numerical height display, extension arm 1050 mm long, incl. mounting, cable and plug.

ART. NO.: 4638



**OPTION:**

**RIGID CONSOLE**

For mounting a feed unit approx. 195x180 mm laterally on the left side of the table top; mandatory when using routing fence 204, 302, 320 and integral fence plates 650 + 650 mm, with table top 1100x760 mm.

ART. NO.: 4664



# OPTIONS + EXTENSIONS: 245|10

## TECHNICAL EXTENSION



### DRIVE MOTOR

ART. NO.  
4271

Motor with 7.5kW (10HP) instead of 5.5kW

## ACCESSORIES TABLE SYSTEMS



### TABLE TOP EXTENSION ON BOTH SIDES

ART. NO.  
4215

For table top 1340x800 mm, total length 2500 mm, consisting of 2 pieces of fine planed cast iron table tops as extension, each on the left and right side of the standard machine table



### LARGE TABLE TOP, SIZE 1340X800 MM, WITH TURN-TABLE

ART. NO.  
4423

And frame support 1340 mm, extendable up to approx. 970 mm instead of standard table top 1100x760 mm, option: table top extension Art. No. 4215, table slide plate not possible



### LARGE TABLE TOP, SIZE 1340X800 MM, WITHOUT TURNTABLE

ART. NO.  
4423.1

With frame support 1340 mm extendable up to approx. 970 mm instead of standard table top 1100x760 mm, option: table top extension Art. No. 4215

## ACCESSORIES MILLING FENCES



### MILLING FENCE 216

ART. NO.  
4274

Made of die-cast aluminium with flat-milled cast iron stop plates with aluminium splinter tongues, length 500 mm; to attach optional safety rulers and a moulding board. Total adjustment via handwheel and LED display, adjustment of fence plate left via star grip and scale, +5 to -25 mm, max. tool diameter 250 mm, instead of standard milling fence 215



### MANUAL-HYDRAULIC SWIVEL-AWAY DEVICE

ART. NO.  
4349

For comfortable and safe lifting and swivelling of the fence into a neutral position without exerting force. Recommendation: additional console for power feeder Art. No. 4561

## SPECIAL ACCESSORIES



### MACHINE ACCESS CONTROL

ART. NO.  
4655

User database and machine access control TM-100, key system for individual machine accesses with a total of 5 key tags, 1 of which is an administrator key for full access; a reliable and secure solution for machine activation

## RECOMMENDED SPECIAL ACCESSORIES:

**SAFETY TECHNOLOGY | ON PAGE 50**

**MACHINE ACCESS CONTROL | ON PAGE 51**

## ACCESSORIES SERVICES



### ASSEMBLY OF A FEED UNIT

ART. NO.  
4028

Delivery by the customer to us by a carriage paid delivery



### INSTRUCTION BY FACTORY TECHNICIAN

ART. NO.  
4172

Or training at the Sigmaringen factory for the machine ordered, plus travel expenses if the instruction takes place at the customer's site



### WARRANTY PLUS+12

ART. NO.  
4254

12 months extended warranty (following the legal warranty period of 12 months), not on wear parts – warranty 1 year on parts



### MAINTENANCE AND INSPECTION

ART. NO.  
4175

Annual maintenance and inspection on site according to maintenance plan, spare parts are charged separately, plus travel expenses

# SHOWROOM



## MACHINES AND ACCESSORIES TO TRY OUT, EXPERIENCE, FALL IN LOVE ...

Our showroom in Sigmaringen in southern Germany is a year-round product presentation and is used for trying out machines and our SI-TEC safety products. Test\* our professional woodworking and plastics processing machines before you buy. We will also be happy to advise you personally on site.

### WE OFFER YOU:

- Machine demonstration by experts
- Qualified advice from specialist personnel
- Professional instruction for your personal protection
- Explanation of functions and accessories
- Trying out all products

\*Please note that for safety reasons the exhibits may only be used by the visitor with his own material and tools during the machine test.

# 245|20



Watch user video:  
[https://youtu.be/qBTW\\_UjDVRI](https://youtu.be/qBTW_UjDVRI)



**MOTOR POWER**  
 5.5 kW / 7.5 PS



**VOLTAGE**  
 400 V / 50 Hz



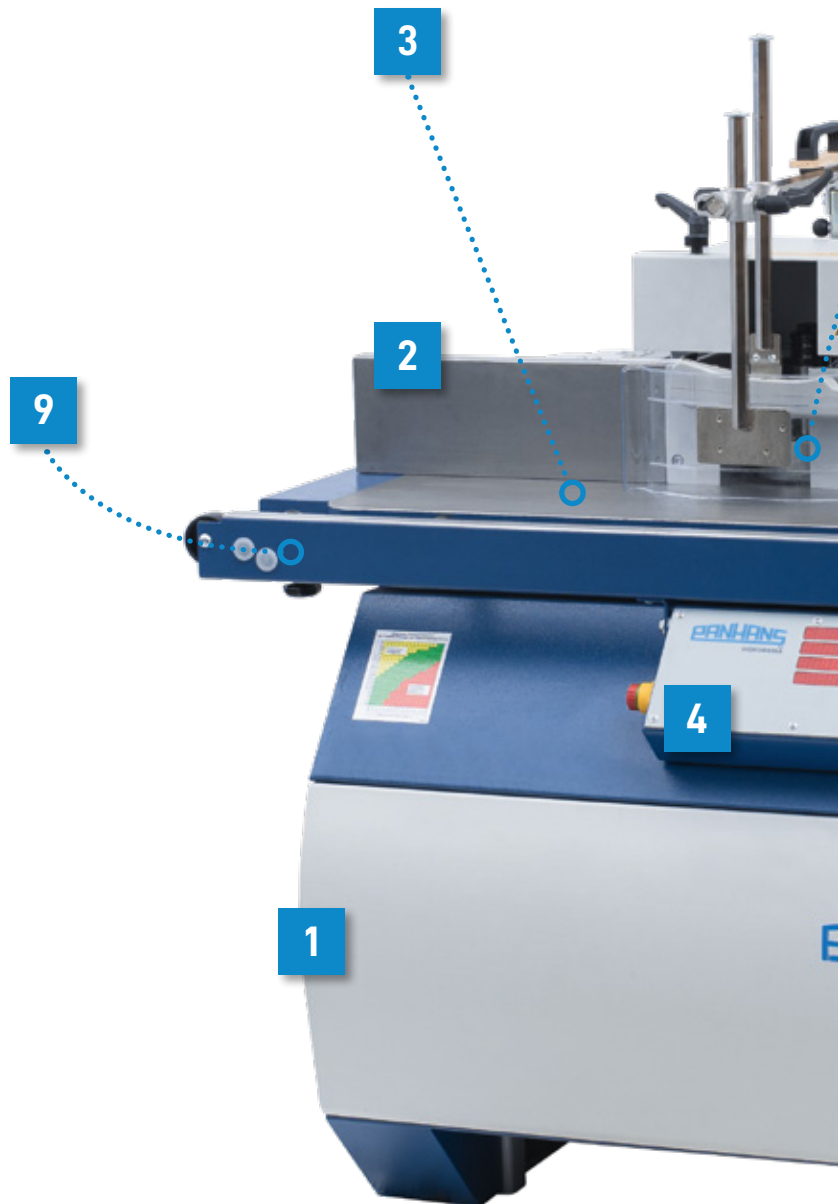
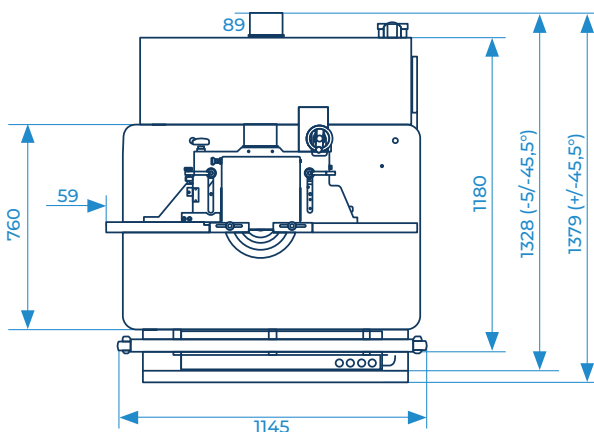
**SPACE REQUIREMENT**  
 approx. 1200x1400 mm

The table of the tilting spindle moulder 245|20 is made of thick-walled, highly ribbed and torsion-resistant grey cast iron.

## TECHNICAL SPECIFICATIONS

Table size	1100 x 760 mm
Table height	870 mm
Milling spindle with quick clamping nut	30 mm
Clamping height	140 mm
Height adjustment	125 mm
Spindle tilt range	-5 / +45.5°
Speed	3000 / 4500 / 6000 / 9000 rpm
Milling protection and pressure device	GAMMA V 1629
Ring fence	1639 Tapoa
Suction nozzles	2 x ø 120 mm
Net weight	approx. 800 kg
Positioning control for height and tilt adjustment with zeroing of height and incremental offset mode	
Digital position and speed indicators	
Drive belt tensioning device	
Counterclockwise and clockwise rotation	
Optional milling spindle with different diameter	
Control panel at the bottom of the rigid frame support	
Mechanical motor brake	
Milling fence type 216 with total adjustment via hand-wheel and LCD indicator incl. cast fence plates and aluminium splitter tongues	

ART. NO.: 4529



## HIGHLIGHT MODERN STEEL CONSTRUCTION

The modern and robust steel construction of the machine stand ensures perfect and safe working.



## FUNCTIONS

- 1 MACHINE CONSTRUCTION**  
Solid machine construction "Made in Germany" for a long service life and robust operation.
- 2 MILLING FENCE**  
216 milling fence with total adjustment via handwheel and LCD indicator incl. cast fence plates and aluminium splitter tongues.
- 3 GREY CAST IRON TABLE**  
The table is made of thick-walled, highly ribbed and torsion-resistant grey cast iron.
- 4 CONTROL**  
Electronic position and speed display. Electrical height and tilt adjustment of the milling spindle via positioning control as well as push-buttons for conventional or climb milling.
- 5 MILLING SPINDLE**  
Table moulder with one-sided tiltable fixed  $\varnothing$  30 mm milling spindle. Tilt range  $-5^{\circ}$  to  $+45.5^{\circ}$ .
- 6 SAFETY**  
Various functions ensure greater safety during work, such as a lockable main switch and electric motor brake.
- 7 QUICK BELT TENSIONER**  
Four speeds of 3000 / 4500 / 6000 / 9000 rpm make it possible to work with maximum precision and at the highest quality level.
- 8 OPTION: HYDRAULIC SWIVEL-AWAY DEVICE**  
The swivel-away device ensures that the fence can be lifted off the table and swivelled to the rear quickly and without effort during curved milling operations.  
ART. NO.: 4349
- 9 OPTION: EXTENDABLE FRAME SUPPORT**  
Guided in separate bearing blocks on the side of the machine table and smooth-running. Including emergency stop button and additional support for control panel.  
ART. NO.: 4232

FIGURE SHOWS SPINDLE MOULDER TYPE 245|20 WITH EXTENDABLE FRAME SUPPORT AND CONTROL PANEL.

## EQUIPMENT DETAILS + OPTIONS: 245|20

### POSITION CONTROL

The positions for the height and tilt adjustment as well as for the zeroing of the height and offset are visualised by two digital display windows. Exact values can be entered via keyboard. Additional push buttons for positioning, spindle start and stop as well as the direction of rotation switch are located next to the input keys on the control panel.



### MILLING SPINDLE WITH QUICK-CLAMPING NUT

The 30mm milling spindle has a quick-action clamping nut for fast tool change and for process optimisation in your workflow.



### OPTION:

#### SPINDLE TILT RANGE +/- 45.5°

Instead of +45.5° to -5°, you can optionally extend the tilt range of the milling spindle to +45.5° to -45.5° for a wider range of applications (Illustration with table slide plate).

ART. NO.: 4541

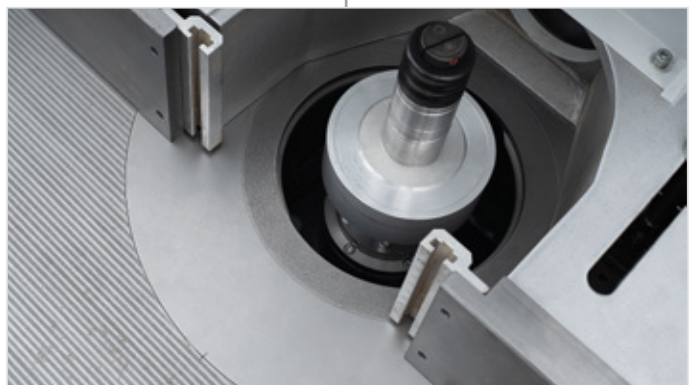


### OPTION:

#### TURNTABLE

The turntable is used to rotate the fence type 216 on the machine table by 360°.

ART. NO.: 4466





**OPTION:**

**CONTROL PANEL ON TOP**

Ergonomic and user-friendly, operating elements always at eye level, mounted on the right side behind the table top, instead of the control panel below.

ART. NO.: 4632



**OPTION:**

**1 SET OF SAFETY RULERS FOR MILLING FENCES**

As a continuous guide between the two fence plates consisting of 2 pieces of ruler 260x6 mm, 3 pieces of ruler 260x3 mm, 1 moulding board of multiplex 260x150x12 mm, including sliding blocks and Allen key.

ART. NO.: 2093



**OPTION:**

**POWER FEEDER PV 84**

4 rollers 120x60 mm, 8 speeds: 2/4/5.6/6.7/11/13/16.5/33 m/min, two directions of rotation, stand with extension arm 1050 mm, can be used individually horizontally and vertically, incl. mounting, cable and plug.

ART. NO.: 4029



**OPTION:**

**POWER FEEDER VARIOMATIC 4 N**

4 rollers, infinitely variable feed speed from 2–18 m/min. Two directions of rotation, quick turning from horizontal to vertical use; easy swivelling away and positioning with memory-lock system; with comfort stand, numerical height display, extension arm 1050 mm long, incl. mounting, cable and plug.

ART. NO.: 4638



## EQUIPMENT DETAILS + OPTIONS: 245|20

### OPTION:

#### KICKBACK GUARD 1648

For safe insertion milling of long and short parts, infinitely adjustable from 0–1500 mm, for milling machines with table top extension.

ART. NO.: 2002

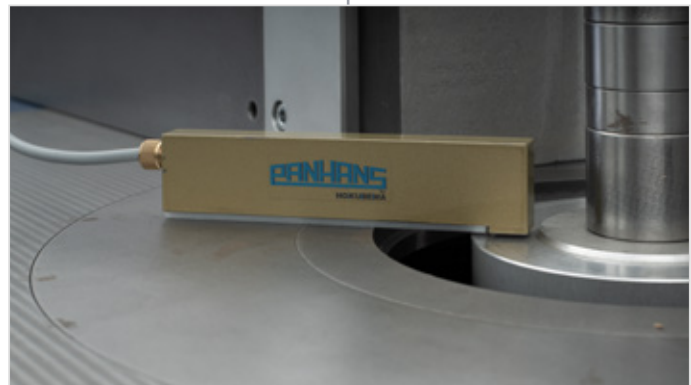


### OPTION:

#### ZEROMASTER CALIBRATION DEVICE

For exact zero point height setting from the cutter to the table top.

ART. NO.: 2205

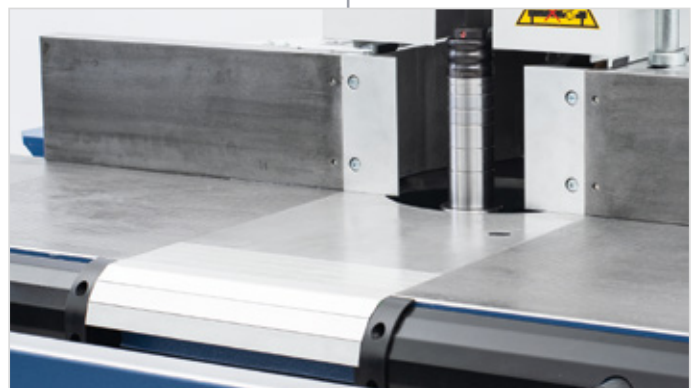


### OPTION:

#### TABLE SLIDE PLATE, FOR TABLE TOP 1100X760MM

The patented slide plate top with grid structure does not change the total depth when the table slide is placed on the max. table openings. The distance from the front edge to the spindle remains the same, for easy operation. The table slide plate is infinitely adjustable in depth. A high fitting accuracy without interfering edges is guaranteed.

ART. NO.: 4467



### OPTION:

#### EXTENDABLE FRAME SUPPORT, FOR TABLE TOP 1100X760MM

Total length approx. 1375 mm, pull-out depth approx. 892 mm from the milling spindle centre, guided in separate bearing blocks at the side of the machine table, smooth-running with emergency stop button.

ART. NO.: 4232



**OPTION:**

**TABLE TOP EXTENSION ON BOTH SIDES**

For table top 1100x760 mm, Total length 2300 mm, consisting of 2 pieces of finely planed cast iron table tops as extension each on the left and right of the standard machine table, with smooth-running frame support approx. 892 mm, extendable to the front. Emergency stop button included.

ART. NO.: 4465



**OPTION:**

**TABLE EXTENSION ONE-SIDED RIGHT**

For table top 1340x800 mm: Finely planed cast iron table top as extension on the right side of the standard machine table, thus total length = 1950 mm, with smooth-running frame support approx. 970 mm, extendable to the front. Emergency stop button included.

ART. NO.: 4217



**OPTION:**

**MANUAL MILLING ARBOR QUICK CHANGE SYSTEM HSK-80**

Instead of fixed standard milling spindle, the optional HSK system serves as interface for different clamping spigot diameters, with 30 mm milling arbor and quick-action clamping nut. Unique system as it ensures higher concentricity and enables easy exchange of the milling arbor. Other arbors with different diameters are available on request. Optionally with spanner nut instead of quick clamping nut. ART. NO.: 4635



**OPTION:**

**MILLING ARBOR HSK 80 Ø 40 MM**

Exchangeable, dynamically balanced for optimum concentricity, clamping height 160 mm, with cutter arbor rings and cutter quick-clamping device via Allen key with anti-rotation device, instead of standard milling spindle 30 mm, available in different diameters e.g. 40 mm (Note: other milling arbor diameters on request).

ART. NO.: 4444



## EQUIPMENT DETAILS + OPTIONS: 245|20

### OPTION:

#### INTEGRAL FENCE PLATES INFEED/OUTFEED 500 + 500MM

With swivelling guide rods integrated in the fence plates for an uninterrupted guide surface of all milling operations; the exact adjustment to tool diameter and height is achieved by a stepless adjustment, instead of standard cast iron fence plates. Further lengths on page 50.

ART. NO.: 4170



### OPTION:

#### MOVABLE CONSOLE

Mounted on the left side of the machine column with joint for swivelling away the feed attachment, mandatory for roller table No. 4491.1 as well as milling fence types 204, 302, 320 and integral fence plates 650 + 650 mm.

ART. NO.: 4663



### OPTION:

#### RIGID CONSOLE

For mounting a feed unit approx. 195x180 mm laterally on the left side of the table top; mandatory when using milling fence types 204, 302, 320 and integral fence plates 650 + 650 mm with table top 1100x760 mm.

ART. NO.: 4664



### OPTION:

#### MILLING FENCE 204

Made of die-cast aluminium, with aluminium splitter tongues, to attach optional safety rulers and moulding board. Total adjustment via handwheel and LCD indicator to 0.1mm, adjustment range approx. 140mm, partial fence adjustment via handwheel and LCD indicator to 0.1mm, adjustment range approx. +10 to -22mm with comfort clamping on the machine table.

ART. NO.: 4404



**OPTION:**

**MILLING AND PROTECTION DEVICE CENTREX 1624**

Ensures for secure fixing of workpieces during manual milling operations; the special shape of the pressure shoe ensures precise workpiece guidance during all milling operations and is infinitely adjustable horizontally and vertically. With good view of the workpiece. Suitable for all milling fences.

ART. NO.: 2220

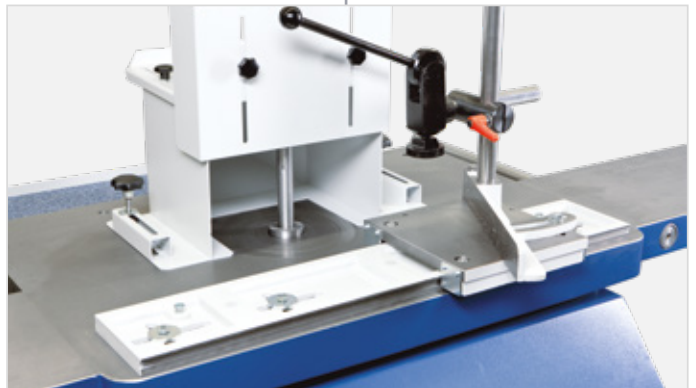


**OPTION:**

**TENONING AND SLOTTING DEVICE 1376**

Mounted on the machine table for light tenoning and slotting work with eccentric clamp and adjustable mitre fence. Sliding range 710 mm, height above table approx. 56 mm. When working with the tenoning and slotting device 1376, the protective cover type 1641 must be used.

ART. NO.: 4547



**OPTION:**

**PROTECTIVE COVER 1641**

Addition for the tenoning and slotting device, with suction nozzle  $\varnothing$  120 mm for tool diameters from 250 to 350 mm.

ART. NO.: 2235



**OPTION:**

**CROSS-CUT FENCE LAS-M AND EXTENSION FOR LAS-M**

With its length of 1750 mm, the cross-cut fence LAS-M offers an ideal addition to the roller table Art. No. 4491.1. As a further option, the cross-cut fence LAS-M can be extended up to 2750 mm.

ART. NO.: 4417, 4418



# EQUIPMENT DETAILS + OPTIONS: 245|20

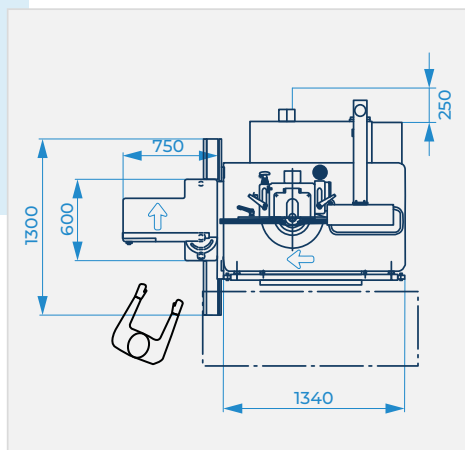
## OPTION:

### ROLLER TABLE

With stop fixture, eccentric clamp, clamping table can be pushed in up to the milling spindle incl. protective bonnet 1641, suction nozzle  $\varnothing$  120 mm, with graduated height adjustment, upper position as roller table, lower position as table extension left.



Watch user video:  
<https://youtu.be/TUurWuNXC8Q>



# OPTIONS + EXTENSIONS: 245|20

## TECHNICAL EXTENSION

**+** **TILT RANGE OF THE MILLING SPINDLE +/- 45.5°**  
 Instead of +45.5° to -5°  
 ART. NO. 4541

**+** **DRIVE MOTOR**  
 Motor with 7.5kW (10HP) instead of 5.5kW  
 ART. NO. 4271

## ACCESSORIES TABLE SYSTEMS

**+** **TABLE TOP EXTENSION ON BOTH SIDES**  
 For table top 1340x800 mm, total length 2500 mm, consisting of 2 pieces of fine planed cast iron table tops as extension, each on the left and right side of the standard machine table, with smooth-running frame support approx. 970 mm extendable to the front and with emergency stop button  
 ART. NO. 4215

**+** **LARGE TABLE TOP, SIZE 1340 X 800 MM, WITHOUT TURNABLE**  
 With frame support 1340 mm extendable up to approx. 970 mm instead of standard table top 1100 x 760 mm, option: table top extension Art. No. 4215

**+** **LARGE TABLE TOP, SIZE 1340 X 800 MM, WITH TURNABLE**  
 And frame support 1340 mm, extendable up to approx. 970 mm instead of standard table top 1100 x 760 mm, option: table top extension Art. No. 4215, table slide plate not possible  
 ART. NO. 4423

## ACCESSORIES MILLING FENCE



### INTEGRAL FENCE PLATES INFEED/OUTFEED 650/500 MM

ART. NO.  
4169

With swivelling guide rods integrated in the fence plates for an uninterrupted guide surface of all milling operations; the exact adjustment to tool diameter and height is achieved by a stepless adjustment, instead of standard cast iron fence plates



### INTEGRAL FENCE PLATES INFEED/OUTFEED 650/650 MM

ART. NO.  
4171

With swivelling guide rods integrated in the fence plates for an uninterrupted guide surface of all milling operations; the exact adjustment to tool diameter and height is achieved by a stepless adjustment, instead of standard cast iron fence plates



### MANUAL-HYDRAULIC SWIVEL-AWAY DEVICE

ART. NO.  
4349

For comfortable and safe lifting and swivelling of the fence into a neutral position without exerting force. Recommendation: additional console for power feeder Art. No. 4663

## ACCESSORIES ROLLER TABLE AND SLOTTING DEVICE



### CROSS-CUT FENCE LAS-M

ART. NO.  
4417

Right-hand version for system tools to process workpieces in pairs, effective length = 1750 mm, slide system with multiple stop and 3 adjustment rings for cross-cut positioning with splitter tongue



### EXTENSION FOR CROSS-CUT FENCE LAS-M

ART. NO.  
4418

Total length 1000 mm, effective length 1750 to 2750 mm



### TENONING AND SLOTTING DEVICE 1376

ART. NO.  
4547

Mounted on the machine table for light tenoning and slotting work, with eccentric clamp and adjustable mitre fence. Sliding length 710 mm, height above table approx. 56 mm



### PROTECTIVE COVER 1641

ART. NO.  
2235

Addition for the tenoning and slotting device, with suction nozzle  $\varnothing$  120 mm for tool diameters from 250 to 350 mm

## SPECIAL ACCESSORIES



### MACHINE ACCESS CONTROL

ART. NO.  
4655

User database and machine access control TM-100, key system for individual machine accesses with a total of 5 key tags, 1 of which is an administrator key for full access; a reliable and secure solution for machine activation

## RECOMMENDED SPECIAL ACCESSORIES:

**SAFETY TECHNOLOGY | ON PAGE 50**

**MACHINE ACCESS CONTROL | ON PAGE 51**

## ACCESSORIES SERVICES



### ASSEMBLY OF A FEED UNIT

ART. NO.  
4028

Delivery by the customer to us by a carriage paid delivery



### INSTRUCTION BY FACTORY TECHNICIAN

ART. NO.  
4172

Or training at the Sigmaringen factory for the machine ordered, plus travel expenses if the instruction takes place at the customer's site



### WARRANTY PLUS+12

ART. NO.  
4254

12 months extended warranty (following the legal warranty period of 12 months), not on wear parts – warranty 1 year on parts



### MAINTENANCE AND INSPECTION

ART. NO.  
4175

Annual maintenance and inspection on site according to maintenance plan, spare parts are charged separately, plus travel expenses

# 245|100



**MOTOR POWER**  
5.5 kW / 7.5 PS



**VOLTAGE**  
400 V / 50 Hz



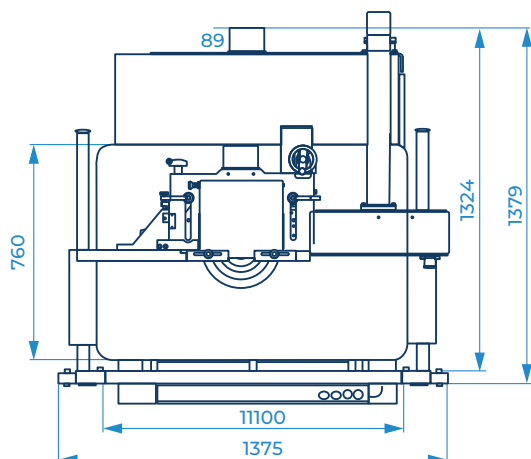
**SPACE REQUIREMENT**  
approx. 1500x1400 mm

The proven features and equipment characteristics of well-known PANHANS spindle moulders have been paired with new functions and components.

## TECHNICAL SPECIFICATIONS

Table size	1100 x 760 mm
Table height	870 mm
Clamping height	140 mm
Height adjustment	125 mm
Spindle tilt range	-5 / +45.5°
Tool and program memory	with 3 tools and 20 programs per tool
Speed	3000 / 4500 / 6000 / 9000 rpm
Control system:	scratch and shock resistant
Capacitive 7" touchscreen	
Milling protection and pressure device	GAMMA V 1629
Ring fence	1639 Tapoa
Milling spindle with quick clamping nut	30 mm
Suction nozzles	2 x ø 120 mm
Net weight	approx. 800 kg
2-axis positioning control for height and tilt adjustment	
Digital position and speed indicators	
Counterclockwise and clockwise rotation	
Fine-planed grey cast iron table with rigid frame support (drawing see page 12)	
Mechanical motor brake	
Control panel can be attached on top or bottom	
Milling fence 301, manually operated via handwheel, readable on touchscreen	

ART. NO.: 4620



Drawing with frame support  
Art. No. 4232.

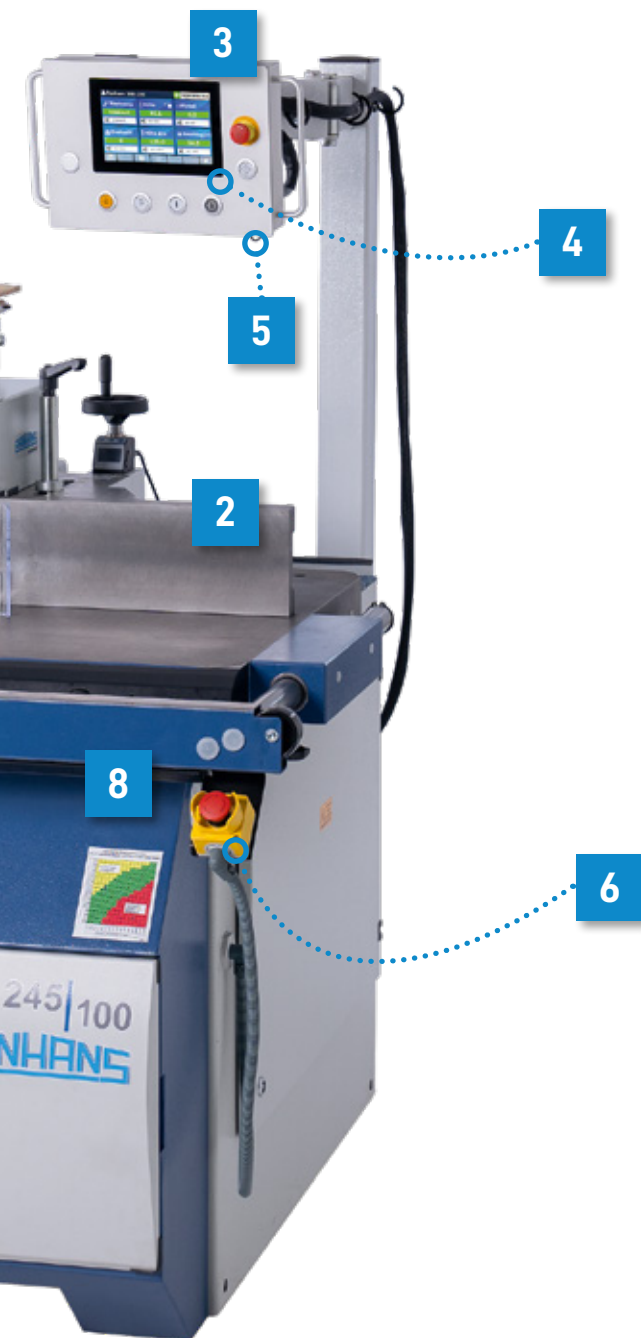




## HIGHLIGHT

### FROM NOW ON IT'S DIGITAL: WITH TOUCHSCREEN CONTROL AND TOOL PROGRAM MEMORY

7" capacitive touchscreen with language switch in DE, EN and FR (other languages on request) as well as a tool database for storing up to 3 tools (20 programs are possible per tool).



## FUNCTIONS

- 1 MILLING SPINDLE**  
Table spindle moulder with double-sided tiltable fixed spindle. Tilt range  $-5^{\circ}$  to  $+45.5^{\circ}$ .
- 2 MILLING FENCE 301**  
Total adjustment manually via hand-wheel on the right side, position is visualised on touchscreen  $\pm 0.1$ mm; partial fence adjustment (chip removal)  $+5$ mm to  $-25$ mm via a star knob screw on the left side, position readable on vernier scale; milling fence made of die-cast aluminium with two 500 mm long face-milled cast iron fence plates with aluminium splinter tongues.
- 3 WORK SCREEN**  
The touchscreen unit shows tools and programs, as well as height, angle, speed and milling fence information.
- 4 7" TOUCHSCREEN CONTROL**  
The capacitive touchscreen (scratch and shock resistant) can also be controlled with gloves. With menu languages in German, English and French (other languages on request). In addition, it contains a tool memory for up to 3 tools and 20 programs per tool.
- 5 USB INTERFACE**  
USB interface for data backups and updates as well as tool, program and user import.
- 6 SAFETY**  
Various functions ensure greater safety during work, such as a lockable main switch, warning messages in the event of incorrect operation and an operating hours counter.
- 7 PARTIAL FENCE ADJUSTMENT**  
The partial fence adjustment with chip removal from  $+5$  mm to  $-25$  mm is carried out via a star knob screw on the left side.
- 8 OPTION: EXTENDABLE FRAME SUPPORT**  
Guided in separate bearing blocks at the side of the machine table, smooth-running. With emergency stop button and additional holder for control panel.

ART. NO.: 4232

FIGURE SHOWS 245|100 MOULDER WITH EXTENDABLE FRAME SUPPORT AND TABLE SLIDE PLATE.

# EQUIPMENT DETAILS + OPTIONS: 245|100

## CONTROL PANEL

For more freedom in machining, the control panel can be attached either on top or on the bottom.



## FENCE 301

Total adjustment manually via handwheel on the right side, position is visualised on touchscreen +/- 0.1mm, adjustment range approx. 140mm. Partial fence adjustment (chip removal) +5mm to -25mm via a star knob screw on the left side, position readable on vernier scale.

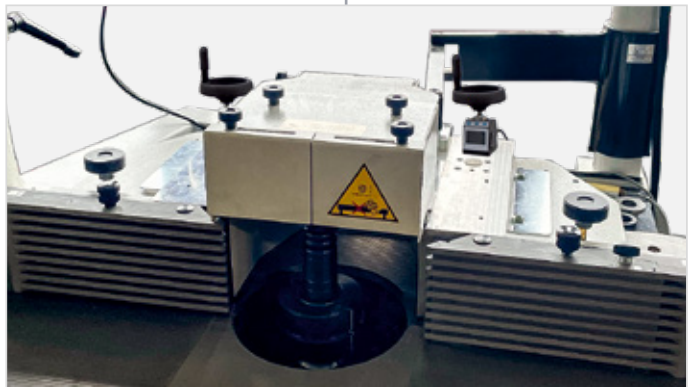


## OPTION:

### FENCE 302

Total fence and partial fence adjustment (chip removal) is done manually via 2 handwheels. Adjustment range of the total fence approx. 140mm (left side), partial fence adjustment approx. +10mm/-22mm (right side). The positions of the total and partial fence are readable via touchscreen +/- 0.1mm. (Figure with optional integral fence plates)

ART. NO.: 4624



## OPTION:

### FENCE 311

The total fence adjustment is motorised, the partial fence adjustment (chip removal) via a star knob on the left side. Dimension display for total stop via touchscreen and for partial fence via vernier.

ART. NO.: 4625



**OPTION:**

**FENCE 320**

The total and partial (chip removal) fence adjustment of the type 320 with is fully electronically controlled. The target positions are entered via the 10-key keyboard on the touch-screen whilst the adjustment is fully motorised. (Figure with optional integral fence plates)

ART. NO.: 4623



**OPTION:**

**ZEROMASTER**

Zeromaster is the PANHANS calibration device which ensures short set-up times for tool calibration.

ART. NO.: 2205



**OPTION:**

**MILLING AND PROTECTION DEVICE CENTREX 1624**

Ensures for secure fixing of workpieces during manual milling operations; the special shape of the pressure shoe ensures precise workpiece guidance during all milling operations and is infinitely adjustable horizontally and vertically. With good view of the workpiece. Suitable for all milling fences.

ART. NO.: 2220



**OPTION:**

**MANUAL MILLING ARBOR QUICK CHANGE SYSTEM HSK-80**

Instead of fixed standard milling spindle, the optional HSK system serves as interface for different clamping spigot diameters, with 30mm milling arbor and quick-action clamping nut. Unique system as it ensures higher concentricity and enables easy exchange of the milling arbor. Other arbors with different diameters are available on request. Optionally with spanner nut instead of quick clamping nut. ART. NO.: 4635



## EQUIPMENT DETAILS + OPTIONS: 245|100

### OPTION:

#### COLLET ARBOR

Optional collet arbor with nut and hook spanner (without collet) for the HSK 80 quick-change system. Dynamically balanced for optimum concentricity for holding shaft tools, depending on the shaft diameter, the necessary collets are required.

ART. NO.: 4560



### OPTION:

#### COMFORT SWIVEL-AWAY DEVICE FOR MILLING FENCES

Electromotive lifting and lowering, the fence can be rotated 360° around the guide column and also swivelled away to the front.

ART. NO.: 4627



### OPTION:

#### 1 SET OF SAFETY RULERS FOR MILLING FENCES

As a continuous guide between the two fence plates consisting of 2 pieces of ruler 260x6mm, 3 pieces of ruler 260x3mm, 1 moulding board of multiplex 260x150x12mm, including sliding blocks and Allen key.

ART. NO.: 2093

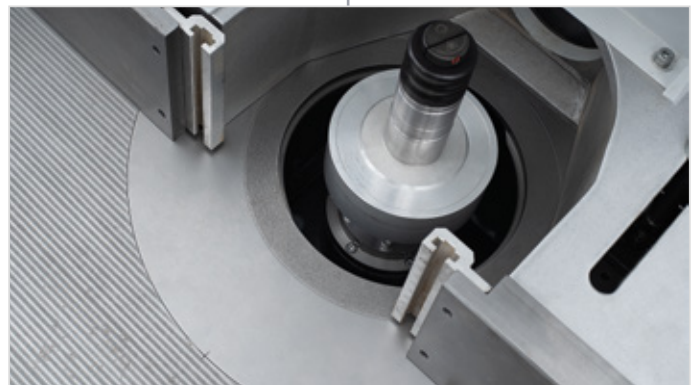


### OPTION:

#### TURNTABLE

This allows the milling fence to be rotated 360° on the machine table (only for table top 1100x760mm).

ART. NO.: 4658



**OPTION:**

**INTEGRAL FENCE PLATES  
INFEED/OUTFEED 650/500 MM**

With swivelling guide rods integrated in the fence plates for an uninterrupted guide surface of all milling operations; the exact adjustment to tool diameter and height is achieved by a stepless adjustment, instead of standard cast iron fence plates.

ART. NO.: 4169



**OPTION:**

**INTEGRAL FENCE PLATES  
INFEED/OUTFEED 650/650 MM**

With swivelling guide rods integrated in the fence plates for an uninterrupted guide surface of all milling operations; the exact adjustment to tool diameter and height is achieved by a stepless adjustment, instead of standard cast iron fence plates.

ART. NO.: 4171



**OPTION:**

**INTEGRAL FENCE PLATES  
INFEED/OUTFEED 500/500 MM**

With swivelling guide rods integrated in the fence plates for an uninterrupted guide surface of all milling operations; the exact adjustment to tool diameter and height is achieved by a stepless adjustment, instead of standard cast iron fence plates.

ART. NO.: 4170

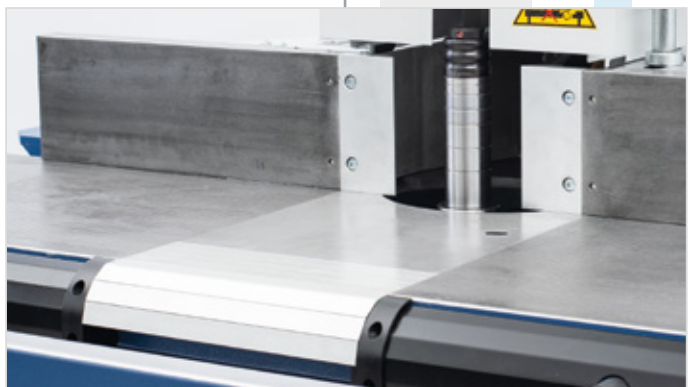


**OPTION:**

**TABLE SLIDE PLATE, FOR TABLE TOP  
1100X760 MM**

The patented slide plate top with grid structure does not change the total depth when the table slide is placed on the max. table openings. The distance from the front edge to the spindle remains the same, for easy operation. The table slide plate is infinitely adjustable in depth. A high fitting accuracy without interfering edges is guaranteed.

ART. NO.: 4467



## EQUIPMENT DETAILS + OPTIONS: 245|100

### OPTION:

#### POWER FEEDER PV 84

4 rollers 120x60 mm, 8 speeds: 2/4/5.6/6.7/11/13/16.5/33 m/min, two directions of rotation, stand with extension arm 1050 mm, can be used individually horizontally and verticaly, incl. mounting, cable and plug.

ART. NO.: 4029



### OPTION:

#### POWER FEEDER VARIOMATIC 4 N

4 rollers, infinitely variable feed speed from 2–18 m/min. Two directions of rotation, quick turning from horizontal to vertical use; easy swivelling away and positioning with memory-lock system; with comfort stand, numerical height display, extension arm 1050 mm long, incl. mounting, cable and plug.

ART. NO.: 4638



### OPTION:

#### MOVABLE CONSOLE

Mounted on the left side of the machine column with joint for swivelling away the feed attachment, mandatory for roller table No. 4491.1 as well as milling fence types 204, 302, 320 and integral fence plates 650 + 650 mm.

ART. NO.: 4663



### OPTION:

#### RIGID CONSOLE

For mounting a feed unit approx. 195x180 mm laterally on the left side of the table top; mandatory when using milling fence types 204, 302, 320 and integral fence plates 650 + 650 mm with table top 1100x760 mm.

ART. NO.: 4664

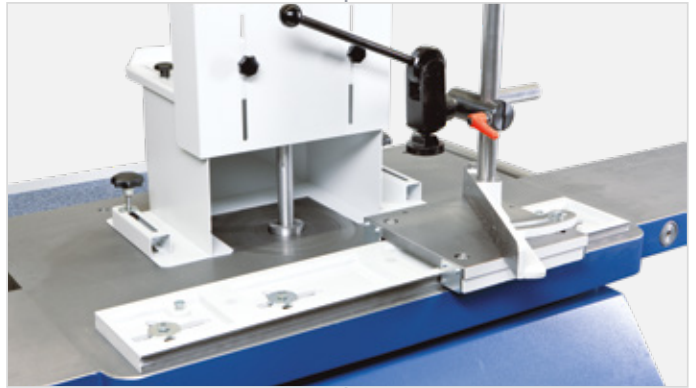


**OPTION:**

**TENONING AND SLOTING DEVICE 1376**

Mounted on the machine table for light tenoning and slotting work with eccentric clamp and adjustable mitre fence. Sliding range 710 mm, height above table approx. 56 mm. When working with the tenoning and slotting device 1376, the protective cover type 1641 must be used.

ART. NO.: 4547

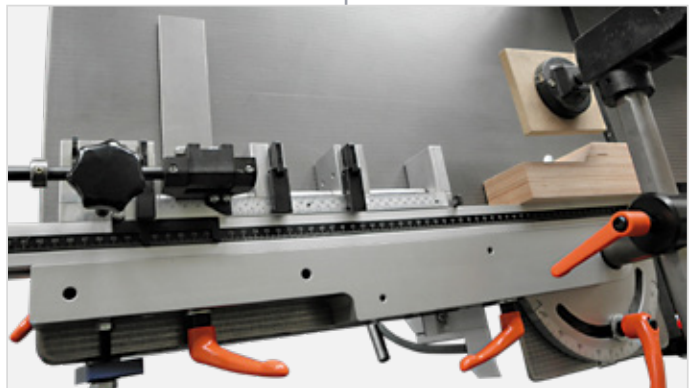


**OPTION:**

**CROSS-CUT FENCE LAS-M AND EXTENSION FOR LAS-M**

With its length of 1750 mm, the cross-cut fence LAS-M offers an ideal addition to the roller table No. 4491.1. As a further option, the cross-cut fence LAS-M can be extended up to 2750 mm.

ART. NO.: 4417, 4418



**OPTION:**

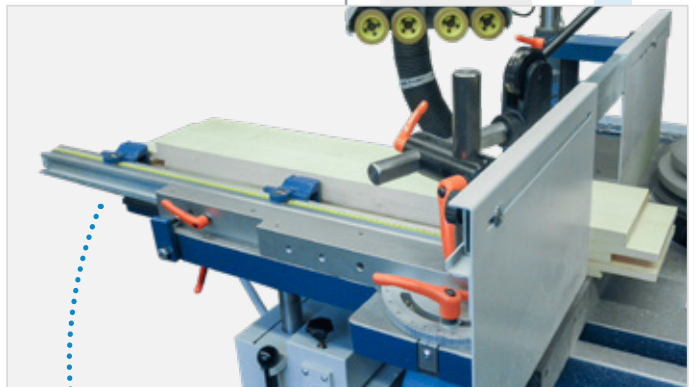
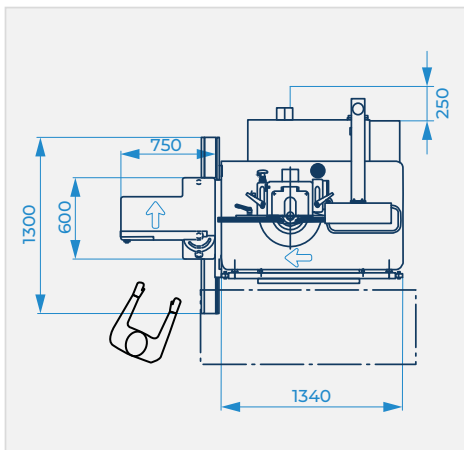
**ROLLER TABLE**

With stop fixture, eccentric clamp, clamping table can be pushed in up to the milling spindle incl. protective bonnet 1641, suction nozzle  $\varnothing$  120 mm, with graduated height adjustment, upper position as roller table, lower position as table extension left.

ART. NO.: 4491.1



Watch user video:  
<https://youtube.com/TUurWuNXC8Q>



# OPTIONS + EXTENSIONS: 245|100

## TECHNICAL EXTENSION



### TILT RANGE OF THE MILLING SPINDLE +/- 45.5°

Instead of +45.5° to -5°

ART.NO.  
4541



### DRIVE MOTOR

Motor with 7.5kW (10 HP) instead of 5.5kW

ART.NO.  
4271

## ACCESSORIES MILLING FENCES



### MILLING FENCE 311

Total adjustment automatically, adjustment range approx. 140mm, target positions are entered via keyboard, positions are visualised on touchscreen +/- 0.1 mm. Partial fence adjustment (chip removal) +5mm to -25mm via star grip screw on the left side, position can be read via vernier scale; manual clamping on the machine table via clamping lever screws; milling fence made of die-cast aluminium with 2 flat milled, 500 mm long cast iron fence plates with aluminium splinter tongues; maximum tool diameter is 250mm

ART.NO.  
4625



### MILLING FENCE 320

Electronic adjustment of total fence and partial fence automatically (2 motors). Adjustment range of total fence is 140mm; adjustment range of partial fence is +10mm to -22mm; positioning via keyboard on touchscreen; both positions are visualised on touchscreen +/- 0.1mm; clamping of total and partial fence on the machine table is motorised; fence made of die-cast aluminium with 2 flat-milled, 500 mm long cast fence plates and aluminium splitter tongues; maximum tool diameter is 250 mm; Note: Turntable is not available in combination with fence type 320. Recommendation: large table top 1340x800 mm No. 4423.1

ART.NO.  
4623



### MILLING FENCE 302

Total and partial fence adjustment (chip removal) are carried out manually via 2 handwheels, both positions are visualised on touchscreen +/- 0.1mm; total fence adjustment range approx. 140mm via handwheel on the left side; partial fence adjustment (chip removal) approx. +10mm/-22mm via handwheel on the right side; clamping/fixing on the machine table is done manually via quick clamping levers; milling fence made of die-cast aluminium with 2 plane-milled, 500mm long cast iron fence plates and aluminium splinter tongues; maximum tool diameter is 250 mm; Note: Turntable is not available in combination with the milling fence 302. Recommendation: large table top 1340x800mm No. 4423.1

ART.NO.  
4624

## ACCESSORIES MILLING SPINDLES AND ARBORS



### MILLING SPINDLE Ø 50 MM

Not interchangeable, dynamically balanced for optimum concentricity, clamping height 160mm with cutter arbor rings and cutter quick-clamping device via Allen key with anti-rotation lock, instead of standard 30mm spindle (Note: others on request)

ART.NO.  
4152



## ACCESSORIES TABLE SYSTEMS



### EXTENDABLE FRAME SUPPORT, FOR TABLE TOP 1100X760 MM

ART. NO.  
4232

Total length approx. 1375 mm, pull-out depth approx. 892 mm from the milling spindle centre, guided in separate bearing blocks at the side of the machine table, smooth-running with emergency stop button



### TABLE TOP EXTENSION ON BOTH SIDES

ART. NO.  
4465

For table top 1100x760 mm, Total length 2300 mm, consisting of 2 pieces of finely planed cast iron table tops as extension each on the left and right of the standard machine table, with smooth-running frame support approx. 892 mm, extendable to the front. Emergency stop button included



### TABLE TOP EXTENSION ON BOTH SIDES

ART. NO.  
4215

For table top 1340x800 mm, Total length 2500 mm, consisting of 2 pieces of finely planed cast iron table tops as extension each on the left and right of the standard machine table, with smooth-running frame support approx. 970 mm, extendable to the front. Emergency stop button included



### TABLE EXTENSION ONE-SIDED RIGHT

ART. NO.  
4217

For table top 1340x800 mm: Finely planed cast iron table top as extension on the right side of the standard machine table, thus total length = 1950 mm, with smooth-running frame support approx. 970 mm, extendable to the front. Emergency stop button included



### LARGE TABLE TOP, SIZE 1340X800MM, WITH TURN-TABLE

ART. NO.  
4423

And frame support 1340 mm, extendable up to approx. 970 mm instead of standard table top 1100x760 mm, option: table top extension Art. No. 4215, table slide plate not possible



### LARGE TABLE TOP, SIZE 1340X800MM, WITHOUT TURNTABLE

ART. NO.  
4423.1

With frame support 1340 mm extendable up to approx. 970 mm instead of standard table top 1100x760 mm, option: table top extension Art. No. 4215



### KICKBACK GUARD 1648

ART. NO.  
2002

For safe insertion milling of long and short parts, infinitely adjustable from 0–1500 mm, for milling machines with table top extension

## SPECIAL ACCESSORIES



### MACHINE ACCESS CONTROL

ART. NO.  
4654

User database and Machine Access Control TM-300 with personalised RFID based keys, full version for authorised and instructed personnel, including master key for parameter settings and staff instructions and 5 user tags for different machine operators

## ACCESSORIES SERVICES



### ASSEMBLY OF A FEED UNIT

ART. NO.  
4028

Delivery by the customer to us by a carriage paid delivery



### INSTRUCTION BY FACTORY TECHNICIAN

ART. NO.  
4172

Or training at the Sigmaringen factory for the machine ordered, plus travel expenses if the instruction takes place at the customer's site

## RECOMMENDED SPECIAL ACCESSORIES:

**SAFETY TECHNOLOGY | ON PAGE 50**

**MACHINE ACCESS CONTROL | ON PAGE 51**



### WARRANTY PLUS+12

ART. NO.  
4259

12 months extended warranty (following the legal warranty period of 12 months), not on wear parts—warranty 1 year on parts



### MAINTENANCE AND INSPECTION

ART. NO.  
4175

Annual maintenance and inspection on site according to maintenance plan, spare parts are charged separately, plus travel expenses

# 245|200



**MOTOR POWER**  
7.5 kW / 10 PS



**VOLTAGE**  
400 V / 50 Hz



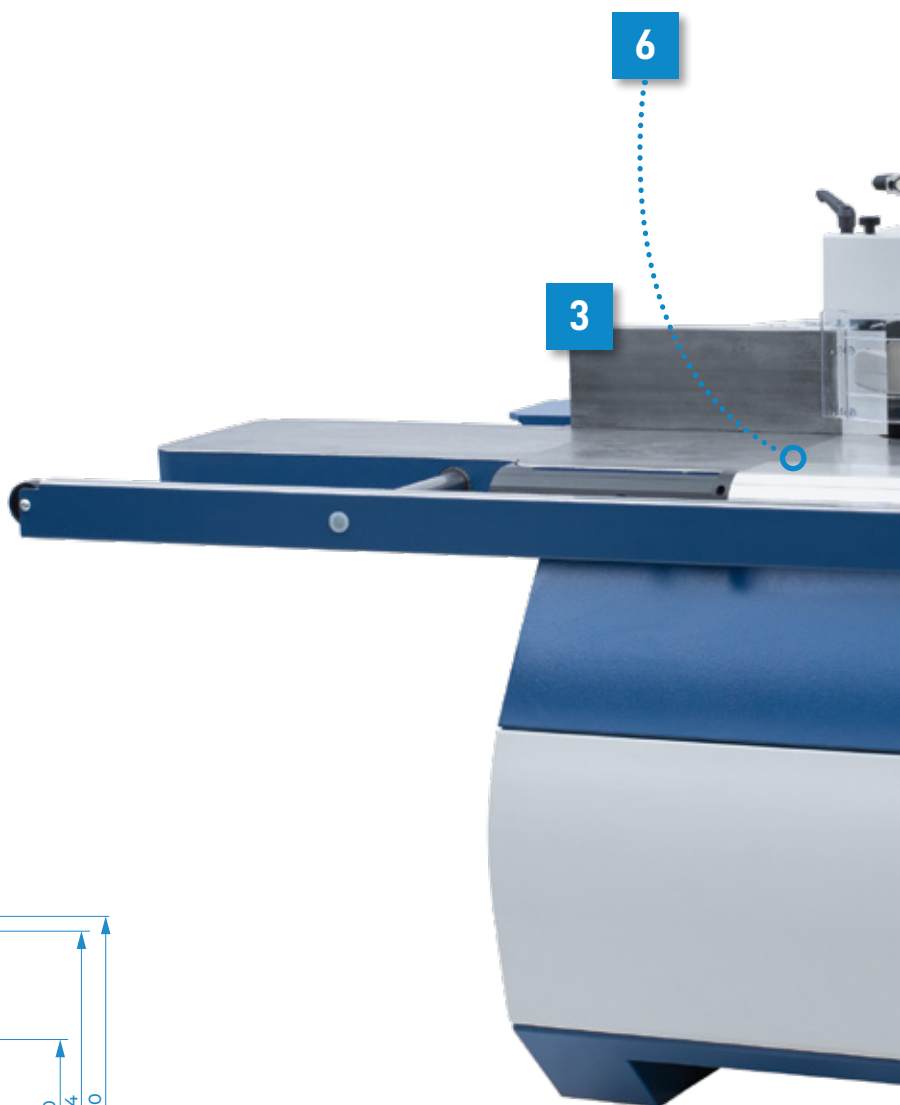
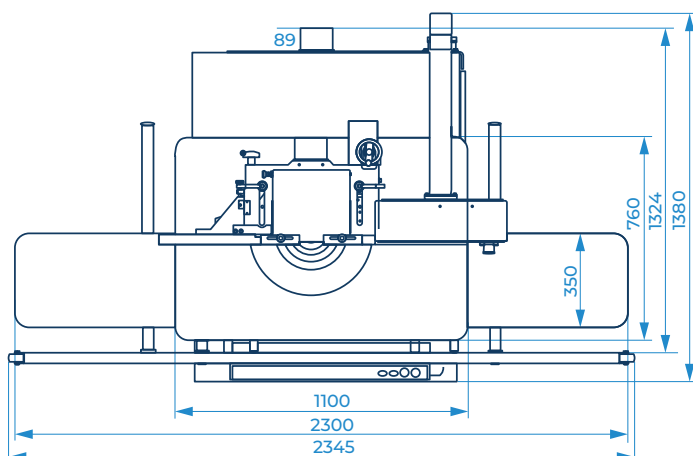
**SPACE REQUIREMENT**  
approx. 1500x1400 mm

The 245|200 series milling machines enable more effective, more economical and, above all, safer working. All the functional elements required for working are optimally placed, safely accessible and ergonomically arranged.

## TECHNICAL SPECIFICATIONS

Table size	1100x760 mm
Table height	905 mm
Clamping height	140 mm
Height adjustment	125 mm
Spindle tilt range	+/- 45.5°
Tool and program memory	5 tools, 20 programs per tool
Variable speed regulation	1500–10000 rpm
Control system: Capacitive 7" touchscreen	scratch and shock resistant
Milling protection and pressure device	GAMMA V 1629
Ring fence	1639 Tapoa
Milling spindle with quick clamping nut	30 mm
Suction nozzles	2 x ø 120 mm
Net weight	approx. 880 kg
2-axis positioning control for height and tilt adjustment	
Digital position and speed indicators	
Counterclockwise and clockwise rotation	
Finely planed cast iron table with rigid frame support (Drawing see page 12)	
Electronic, wear-free motor brake	
Milling fence 301, manual via handwheel, visualised on touchscreen	

ART. NO.: 4621



## HIGHLIGHT

### COMPONENTS CAN BE SWIVELLED AWAY

When machining very large workpieces, it is possible to swivel all the unnecessary elements behind the machine until only the milling spindle protrudes from the table.



## FUNCTIONS

- 1 MILLING SPINDLE**  
Fixed and double-sided swivelling of +/- 45.5° with quick-release nut.
- 2 7" TOUCHSCREEN CONTROL**  
The capacitive touchscreen (scratch and shock resistant) can also be controlled with gloves. With menu languages in German, English and French (other languages on request). In addition, it contains a tool memory for up to 5 tools and 20 programs per tool. Height and tilt adjustment with digital position and speed indicators, as well as zeroing of height and tool-offset.
- 3 PARTIAL FENCE ADJUSTMENT**  
The partial fence adjustment with chip removal from +5mm to -25mm is carried out via a star grip screw on the left side.
- 4 SPEED REGULATION**  
Electronic, infinitely variable speed regulation from 1500–10000 rpm (11kW frequency inverter).
- 5 OPTION: TABLE EXTENSION**  
Table extension on both sides with extendable frame support.  
ART. NO.: 4465
- 6 OPTION: TABLE SLIDE PLATE**  
The table slide plate allows the table opening to be adjusted quickly and steplessly without tools.  
ART. NO.: 4467

FIGURE SHOWS 245|200 MOULDER WITH TABLE TOP EXTENSION ON BOTH SIDES AND EXTENDABLE FRAME SUPPORT.

# EQUIPMENT DETAILS: 245|200

## CONTROL SYSTEM

The touchscreen controller enables convenient communication between man and machine. By touching the smooth monitor surface, program sequences and command inputs can be controlled directly. Particular emphasis is placed on intuitive and simple operation. For optimal readability, the displays are designed with high brightness and contrast.



## OPTION:

### EXTENDABLE FRAME SUPPORT

Total length approx. 1375 mm, pull-out depth approx. 892 mm from the milling spindle centre, guided in separate bearing blocks at the side of the machine table, smooth-running with emergency stop button.

ART. NO.: 4232



## OPTION:

### RIGID CONSOLE FOR FEEDER

The rigid console is used for mounting a feed unit and is required for versions with the roller table. The removable brackets are made of high-strength metal alloy.

ART. NO.: 4664



## OPTION:

### MOVABLE CONSOLE

For completely free working on the milling table, the feed unit can be swivelled away with this option. This optimises the workflow, as the feed unit does not have to be dismantled when working with a ring fence for curved millings.

ART. NO.: 4663

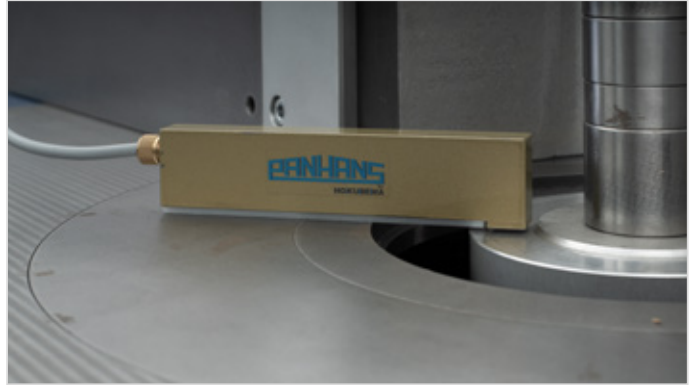


**OPTION:**

**ZEROMASTER CALIBRATING DEVICE**

For exact zero-point height adjustment from the milling tool to the table top.

ART. NO.: 2205

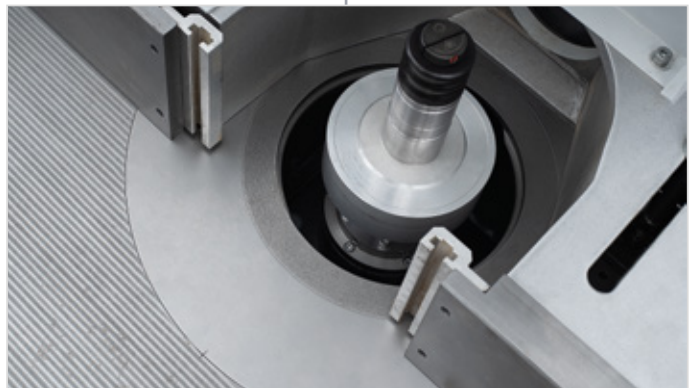


**OPTION:**

**TURNTABLE**

This allows the milling fence to be rotated 360° on the machine table (only for table top 1100x760 mm).

ART. NO.: 4658

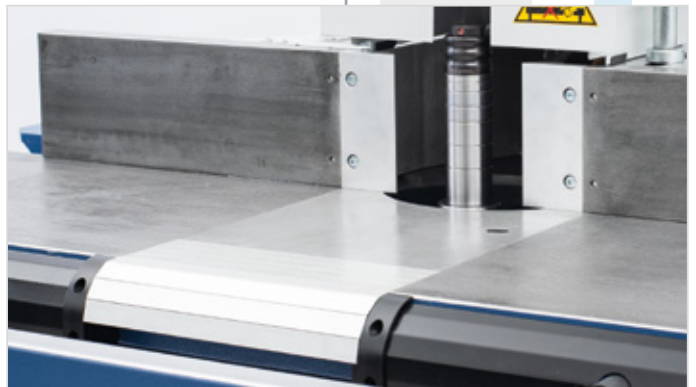


**OPTION:**

**TABLE SLIDE PLATE, FOR TABLE TOP 1100X760 MM**

The patented slide plate top with grid structure does not change the total depth when the table slide is placed on the max. table openings. The distance from the front edge to the spindle remains the same, for easy operation. The table slide plate is infinitely adjustable in depth. A high fitting accuracy without interfering edges is guaranteed.

ART. NO.: 4467



**OPTION:**

**TABLE TOP EXTENSION ON BOTH SIDES**

For table top 1100x760 mm, Total length 2300 mm, consisting of 2 pieces of finely planed cast iron table tops as extension each on the left and right of the standard machine table, with smooth-running frame support approx. 892 mm, extendable to the front. Emergency stop button included.

ART. NO.: 4465



## EQUIPMENT DETAILS: 245|200

### OPTION:

#### TABLE EXTENSION ONE-SIDED RIGHT

For table top 1340x800 mm: Finely planed cast iron table top as extension on the right side of the standard machine table, thus total length = 1950 mm, with smooth-running frame support approx. 970 mm, extendable to the front. Emergency stop button included.

ART. NO.: 4217



### OPTION:

#### KICKBACK GUARD 1648

For safe insertion milling of long and short parts, infinitely adjustable from 0–1500 mm, for milling machines with table top extension.

ART. NO.: 2002



### OPTION:

#### COMFORT SWIVEL-AWAY DEVICE FOR MILLING FENCES

Electromotive lifting and lowering, the fence can be rotated 360° around the guide column and also swivelled away to the front.

ART. NO.: 4627



### OPTION:

#### 1 SET OF SAFETY RULERS FOR MILLING FENCES

As a continuous guide between the two fence plates consisting of 2 pieces of ruler 260x6 mm, 3 pieces of ruler 260x3 mm, 1 moulding board of multiplex 260x150x12 mm, including sliding blocks and Allen key.

ART. NO.: 2093



**OPTION:**

**INTEGRAL FENCE PLATES  
INFEED/OUTFEED 500/500 MM**

With swivelling guide rods integrated in the fence plates for an uninterrupted guide surface of all milling operations; the exact adjustment to tool diameter and height is achieved by a stepless adjustment, instead of standard cast iron fence plates.

ART. NO.: 4170



**OPTION:**

**INTEGRAL FENCE PLATES  
INFEED/OUTFEED 650/500 MM**

With swivelling guide rods integrated in the fence plates for an uninterrupted guide surface of all milling operations; the exact adjustment to tool diameter and height is achieved by a stepless adjustment, instead of standard cast iron fence plates.

ART. NO.: 4169



**OPTION:**

**INTEGRAL FENCE PLATES  
INFEED/OUTFEED 650/650 MM**

With swivelling guide rods integrated in the fence plates for an uninterrupted guide surface of all milling operations; the exact adjustment to tool diameter and height is achieved by a stepless adjustment, instead of standard cast iron fence plates.

ART. NO.: 4171



**OPTION:**

**CENTREX**

Milling protection and pressure device for secure fixing of workpieces during manual milling operations; the special shape of the pressure shoe ensures precise workpiece guidance during all milling operations, fixed to the milling fence, can be folded up, instead of standard milling protection and pressure device GAMMA V 1629.

ART. NO.: 2220



## EQUIPMENT DETAILS: 245|200

### OPTION:

#### AUTOMATIC HSK-63-F TOOL CHANGE SYSTEM

Electromechanical clamping system for convenient tool change. The tool change is operated by a switch. Including 1 piece quick-change milling arbor HSK-63-F with  $\varnothing$  30 mm. Clamping length 140 mm with milling arbor rings and quick-action clamping nut.

ART. NO.: 4661



### OPTION:

#### MANUAL MILLING ARBOR QUICK CHANGE SYSTEM HSK-80

Instead of fixed standard milling spindle, the optional HSK system serves as interface for different clamping spigot diameters, with 30mm milling arbor and quick-action clamping nut. Unique system as it ensures higher concentricity and enables easy exchange of the milling arbor. Other arbors with different diameters are available on request. Optionally with spanner nut instead of quick clamping nut. ART. NO.: 4635



### OPTION:

#### POWER FEEDER PV 84

4 rollers 120 x 60 mm, 8 speeds: 2/4/5.6/6.7/11/13/16.5/33 m/min, two directions of rotation, stand with extension arm 1050 mm, can be used individually horizontally and vertically, incl. mounting, cable and plug.

ART. NO.: 4029



### OPTION:

#### POWER FEEDER VARIOMATIC 4 N

4 rollers, infinitely variable feed speed from 2–18 m/min. Two directions of rotation, quick turning from horizontal to vertical use; easy swivelling away and positioning with memory-lock system; with comfort stand, numerical height display, extension arm 1050 mm long, incl. mounting, cable and plug.

ART. NO.: 4638



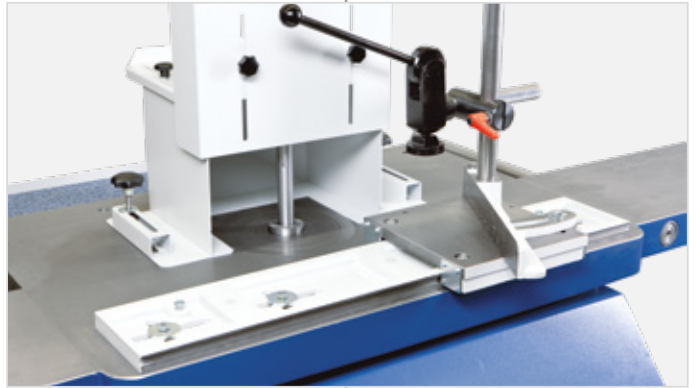


**OPTION:**

**TENONING AND SLOTING DEVICE 1376**

Mounted on the machine table for light tenoning and slotting work with eccentric clamp and adjustable mitre fence. Sliding range 710 mm, height above table approx. 56 mm. When working with the tenoning and slotting device 1376, the protective cover type 1641 must be used.

ART. NO.: 4547

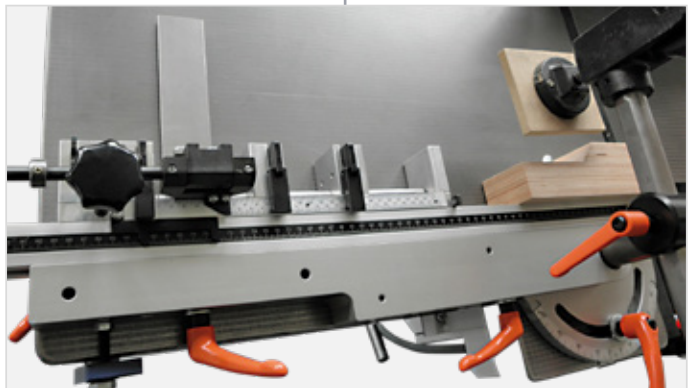


**OPTION:**

**CROSS-CUT FENCE LAS-M AND EXTENSION FOR LAS-M**

With its length of 1750 mm, the cross-cut fence LAS-M offers an ideal addition to the roller table No. 4491.1. As a further option, the cross-cut fence LAS-M can be extended up to 2750 mm.

ART. NO.: 4417, 4418



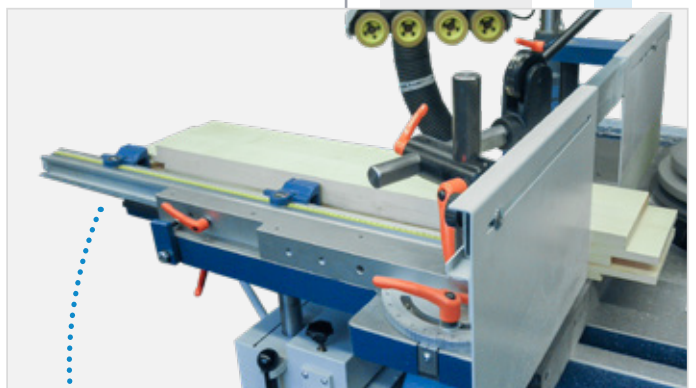
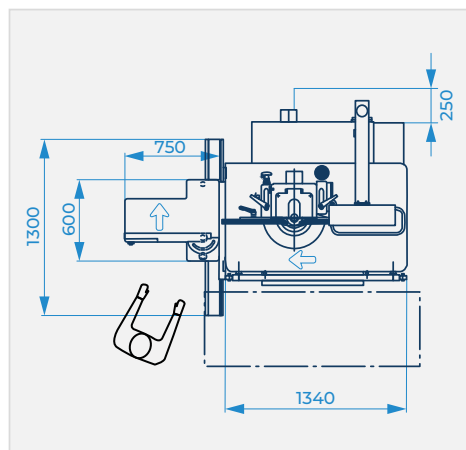
**OPTION:**

**ROLLER TABLE**

With stop fixture, eccentric clamp, clamping table can be pushed in up to the milling spindle incl. protective bonnet 1641, suction nozzle  $\varnothing$  120 mm, with graduated height adjustment, upper position as roller table, lower position as table extension left.



Watch user video:  
<https://youtube.com/TUurWuNXC8Q>



## OPTIONS + EXTENSIONS: 245|200

### TECHNICAL EXTENSION



#### VARIABLE SPEED REGULATION 1500-12000 RPM

ART. NO.  
4862

7.5 kW motor with 11 kW frequency inverter incl. oil lubrication of the milling spindle bearings

### ACCESSORIES TABLE SYSTEMS



#### EXTENDABLE FRAME SUPPORT, FOR TABLE TOP 1100X760 MM

ART. NO.  
4232

Total length approx. 1375 mm, pull-out depth approx. 892 mm from the milling spindle centre, guided in separate bearing blocks at the side of the machine table, smooth-running with emergency stop button



#### TABLE TOP EXTENSION ON BOTH SIDES

ART. NO.  
4215

For table top 1340x800 mm, total length 2500 mm, consisting of 2 pieces of fine planed cast iron table tops as extension, each on the left and right side of the standard machine table. Emergency stop button included



#### LARGE TABLE TOP, SIZE 1340X800 MM, WITH TURN-TABLE

ART. NO.  
4423

And frame support 1340 mm, extendable up to approx. 970 mm instead of standard table top 1100x760 mm, option: table top extension Art. No. 4215, table slide plate not possible



#### LARGE TABLE TOP, SIZE 1340X800 MM, WITHOUT TURNTABLE

ART. NO.  
4423.1

With frame support 1340 mm extendable up to approx. 970 mm instead of standard table top 1100x760 mm, option: table top extension Art. No. 4215

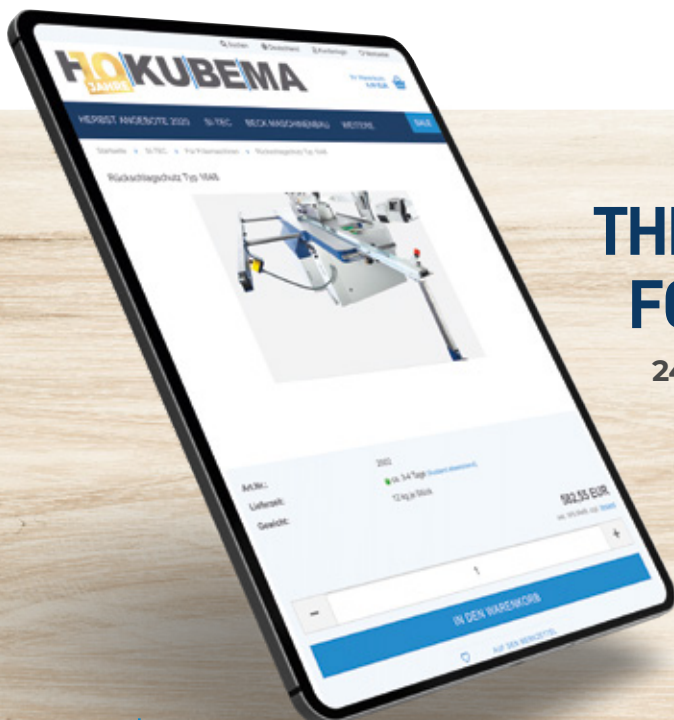
### ACCESSORIES MILLING SPINDLES AND ARBORS



#### QUICK-CHANGE SYSTEM HSK-80

ART. NO.  
4544

With spindle lock and milling arbor 30 mm instead of milling spindle 30 mm (higher concentricity and no sticking in the spindle as with MK 5 system or steep taper); Note: other arbors on request



## THE NEW ONLINE SHOP FOR WOOD CRAFTSMEN!

**24 hours a day, 7 days a week, 365 days a year:**

Order equipment, machines, spare parts, consumables, accessories and much more online from the comfort of your home or workshop – without inconvenient opening hours:

 [www.hokubema.com](http://www.hokubema.com)

## ACCESSORIES MILLING FENCES



### MILLING FENCE 311

ART. NO.  
4625

Total adjustment automatically, adjustment range approx. 140mm, target positions are entered via keyboard, positions are visualised on touchscreen +/- 0.1 m. Partial fence adjustment (chip removal) +5mm to -25mm via star grip screw on the left side, position can be read via vernier scale; manual clamping on the machine table via clamping lever screws; milling fence made of die-cast aluminium with 2 flat milled, 500mm long cast iron fence plates with aluminium splinter tongues; maximum tool diameter is 250mm



### MILLING FENCE 302

ART. NO.  
4624

Total and partial fence adjustment (chip removal) are carried out manually via 2 handwheels, both positions are visualised on touchscreen +/- 0.1mm; total fence adjustment range approx. 140mm via handwheel on the left side; partial fence adjustment (chip removal) approx. +10mm/-22mm via handwheel on the right side; clamping/fixing on the machine table is done manually via quick clamping levers; milling fence made of die-cast aluminium with 2 plane-milled, 500mm long cast iron fence plates and aluminium splinter tongues; maximum tool diameter is 250mm; Note: Turntable is not available in combination with the milling fence 302. Recommendation: large table top 1340x800mm No. 4423.1



### MILLING FENCE 320

ART. NO.  
4623

Electronic adjustment of total fence and partial fence automatically (2 motors). Adjustment range of total fence is 140mm; adjustment range of partial fence is +10mm to -22mm; positioning via keyboard on touchscreen +/- 0.1mm; clamping of total and partial fence on the machine table is motorised; fence made of die-cast aluminium with 2 flat-milled, 500mm long cast fence plates and aluminium splitter tongues; maximum tool diameter is 250mm; Note: Turntable is not available in combination with fence type 320. Recommendation: large table top 1340x800mm No. 4423.1

## SPECIAL ACCESSORIES



### MACHINE ACCESS CONTROL

ART. NO.  
4654

User database and Machine Access Control TM-300 with personalised RFID based keys, full version for authorised and instructed personnel, including master key for parameter settings and staff instructions and 5 user tags for machine operators

## ACCESSORIES SERVICES



### INSTRUCTION BY FACTORY TECHNICIAN

ART. NO.  
4172

Or training at the Sigmaringen factory for the machine ordered, plus travel expenses if the instruction takes place at the customer's site



### WARRANTY PLUS+12

ART. NO.  
4259

12 months extended warranty (following the legal warranty period of 12 months), not on wear parts-warranty 1 year on parts



### MAINTENANCE AND INSPECTION

ART. NO.  
4175

Annual maintenance and inspection on site according to maintenance plan, spare parts are charged separately, plus travel expenses



### ASSEMBLY OF A FEED UNIT

ART. NO.  
4028

Delivery by the customer to us by a carriage paid delivery

## RECOMMENDED SPECIAL ACCESSORIES:

**SAFETY TECHNOLOGY | ON PAGE 50**

**MACHINE ACCESS CONTROL | ON PAGE 51**

# 245|300



Watch user video:  
<https://youtu.be/0ge-N1friCI>



**MOTOR POWER**  
7.5 kW / 10 PS



**VOLTAGE**  
400 V / 50 Hz



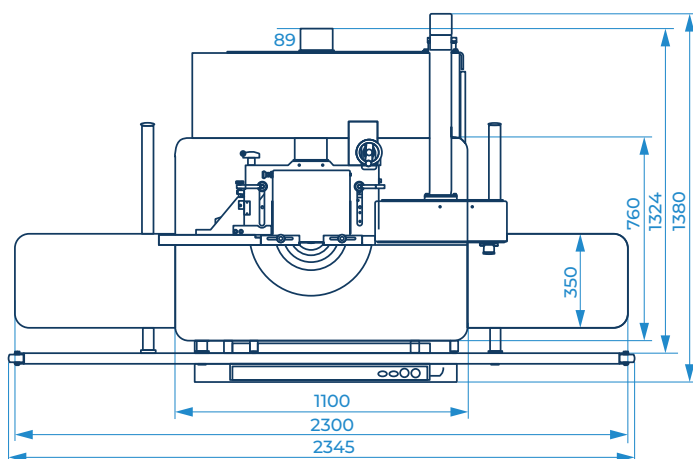
**SPACE REQUIREMENT**  
With table extension option  
approx. 2400x1400 mm

Our tilting spindle moulder 245|300 in full equipment is the absolute all-rounder for small and large joineries.

## TECHNICAL SPECIFICATIONS

Table size	1100x760 mm
Table height	905 mm
Clamping height	140 mm
Height adjustment	125 mm
Spindle tilt range	+/- 45.5°
Tool and program memory	500 tools, 100 programs per tool
Variable speed regulation	1500–10000 rpm
Control system:	scratch and shock resistant
Capacitive 7" touchscreen	
Milling protection and pressure device	GAMMA V 1629
Ring fence	1639 Tapoa
Milling spindle with quick clamping nut	30 mm
Suction nozzles	2 x ø 120 mm
Net weight	approx. 1050 kg
4-axis positioning control for height and tilt adjustment, milling fences: total fence on right and partial fence on left side	
Digital position and speed indicators	
Counterclockwise and clockwise rotation	
Finely planed cast iron table with rigid frame support	
Control panel can be used either up or down	
Milling fence 320 fully electronically controlled total and partial fence adjustment	

ART. NO.: 4622



## HIGHLIGHT

### THE PERFECT ONE WITH TOUCHSCREEN CONTROL

7" capacitive touchscreen with language switch in DE, EN, FR and NL (further languages on request) as well as a tool memory for up to 500 tools (100 programs are possible per tool).



## FUNCTIONS

- 1 MILLING SPINDLE**  
Fixed and double-sided swivelling of +/- 45.5° with quick-release nut.
- 2 GREY CAST IRON TABLE**  
Finely planed and with rigid frame support.
- 3 7" TOUCHSCREEN CONTROL**  
The capacitive touchscreen (scratch and shock resistant) can also be controlled with gloves. The touch control can also be mounted on the rigid (or optionally extendable) frame support. For height and tilt adjustment, milling fences: total fence on right and partial fence on left side.
- 4 SPEED REGULATION**  
Electronic, infinitely variable speed regulation from 1500–10000 rpm (11 kW frequency inverter).
- 5 OPTION: TABLE EXTENSION ON BOTH SIDES**  
The table extension is double-sided and has a total length of 2300 mm, with extendable frame support to the front.  
ART. NO.: 4465
- 6 OPTION: COMFORT SWIVEL-AWAY DEVICE**  
By swivelling the milling fence away, you achieve an absolutely flat working surface.  
ART. NO.: 4627
- 7 INTEGRAL FENCE SYSTEM**  
Made of swivelling guide rods integrated in the fence plates for a gap-free guide surface of all milling operations; precise and stepless adjustment to tool diameter and height, usable instead of the standard cast iron fence plates.  
ART. NO.: 4170

FIGURE SHOWS 245|300 MOULDER WITH TABLE TOP EXTENSION ON BOTH SIDES AND COMFORT SWIVEL-AWAY DEVICE.

# EQUIPMENT DETAILS + OPTIONS: 245|300

## CONVENIENT OPERATION

The control panel can be individually adapted to the mode of operation. By simply attaching it to the frame support, the operating panel can be used either at the top or at the bottom.



## OPTION:

### SWIVEL-AWAY DEVICE FOR MILLING FENCES

The swivel-away device enables the milling fence to be raised and swivelled away into a neutral position by means of an electric motor. This makes working on the machine more comfortable and safer.

ART. NO.: 4627



## OPTION:

### AUTOMATIC HSK-63-F TOOL CHANGE SYSTEM

Electromechanical clamping system for convenient tool change. The tool change is operated by a switch. Including 1 piece quick-change milling arbor HSK-63-F with  $\varnothing$  30 mm Clamping length 140 mm with milling arbor rings and quick-action clamping nut.

ART. NO.: 4661



## OPTION:

### INTEGRAL FENCE PLATES INFEEED/OUTFEED 500/500 MM

With swivelling guide rods integrated in the fence plates for an uninterrupted guide surface of all milling operations; the exact adjustment to tool diameter and height is achieved by a stepless adjustment, instead of standard cast iron fence plates. Other lengths on request.

ART. NO.: 4170

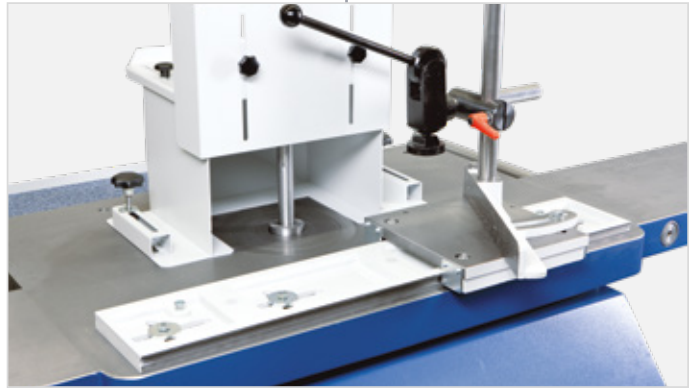


**OPTION:**

**TENONING AND SLOTING DEVICE 1376**

Mounted on the machine table for light tenoning and slotting work with eccentric clamp and adjustable mitre fence. Sliding range 710 mm, height above table approx. 56 mm. When working with the tenoning and slotting device 1376, the protective cover type 1641 must be used.

ART. NO.: 4547



**OPTION:**

**POWER FEEDER PV 84**

4 rollers 120 x 60 mm, 8 speeds: 2/4/5.6/6.7/11/13/16.5/33 m/min, two directions of rotation, stand with extension arm 1050 mm, can be used individually horizontally and vertically, incl. mounting, cable and plug.

ART. NO.: 4029



**OPTION:**

**TABLE EXTENSION ONE-SIDED RIGHT**

For table top 1340x800 mm: Finely planned cast iron table top as extension on the right side of the standard machine table, thus total length = 1950 mm, with smooth-running frame support approx. 970 mm, extendable to the front. Emergency stop button included.

ART. NO.: 4217



**OPTION:**

**KICKBACK GUARD 1648**

For safe insertion milling of long and short parts, infinitely adjustable from 0-1500 mm, for milling machines with table top extension.

ART. NO.: 2002



# EQUIPMENT DETAILS + OPTIONS: 245|300

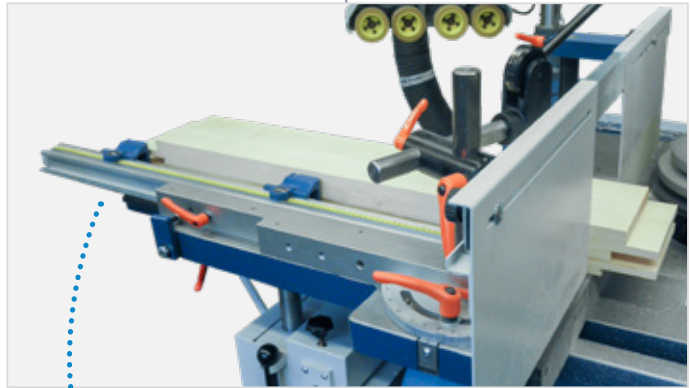
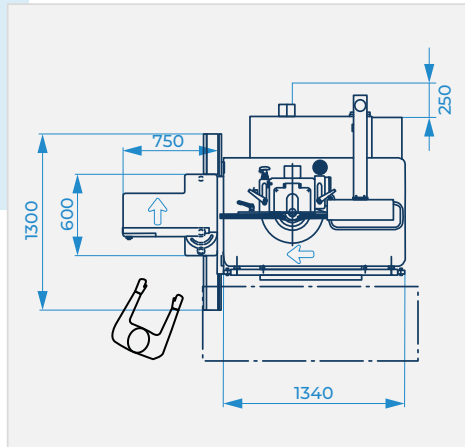
## OPTION:

### ROLLER TABLE

With stop fixture, eccentric clamp, clamping table can be pushed in up to the milling spindle incl. protective bonnet 1641, suction nozzle  $\varnothing$  120 mm, with graduated height adjustment, upper position as roller table, lower position as table extension left.



Watch user video:  
<https://youtu.be/TUurWuNXC8Q>

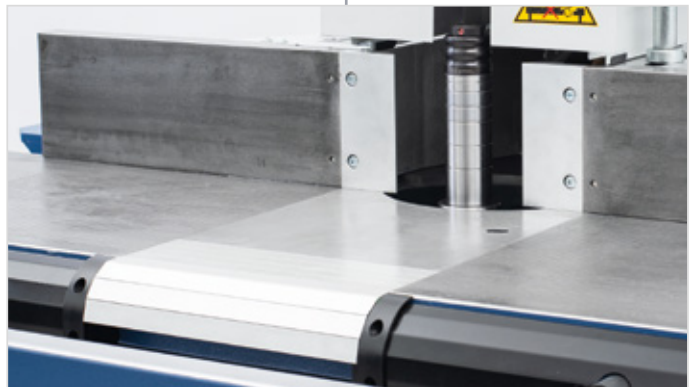


## OPTION:

### TABLE SLIDE PLATE, FOR TABLE TOP 1100X760MM

The patented slide plate top with grid structure does not change the total depth when the table slide is placed on the max. table openings. The distance from the front edge to the spindle remains the same, for easy operation. The table slide plate is infinitely adjustable in depth. A high fitting accuracy without interfering edges is guaranteed.

ART. NO.: 4467



## OPTION:

### TABLE TOP EXTENSION ON BOTH SIDES

For table top 1100x760 mm, Total length 2300 mm, consisting of 2 pieces of finely planed cast iron table tops as extension each on the left and right of the standard machine table, with smooth-running frame support approx. 892mm, extendable to the front. Emergency stop button included.

ART. NO.: 4465





**OPTION:****1 SET OF SAFETY RULERS FOR MILLING FENCES**

As a continuous guide between the two fence plates consisting of 2 pieces of ruler 260x6 mm, 3 pieces of ruler 260x3 mm, 1 moulding board of multi-plex 260x150x12 mm, including sliding blocks and Allen key.

ART. NO.: 2093

**OPTIONS + EXTENSIONS: 245|300****TECHNICAL EXTENSION****VARIABLE SPEED REGULATION 1500-12000 RPM**

7.5kW motor with 11kW frequency inverter

ART. NO.  
4862

**ACCESSORIES TABLE SYSTEMS****TABLE TOP EXTENSION ON BOTH SIDES**

For table top 1340x800 mm, total length 2500 mm, consisting of 2 pieces of fine planed cast iron table tops as extension, each on the left and right side of the standard machine table. Emergency stop button included

ART. NO.  
4215

**LARGE TABLE TOP, SIZE 1340X800 MM, WITH TURN-TABLE**

And frame support 1340 mm, extendable up to approx. 970 mm instead of standard table top 1100x760 mm, option: table top extension Art. No. 4215, table slide plate not possible

ART. NO.  
4423

**LARGE TABLE TOP, SIZE 1340X800 MM, WITHOUT TURNTABLE**

With frame support 1340 mm extendable up to approx. 970 mm instead of standard table top 1100x760 mm, option: table top extension Art. No. 4215

ART. NO.  
4423.1

**ACCESSORIES MILLING FENCES****INTEGRAL FENCE PLATES INFEED/OUTFEED 650/500 MM**

With swivelling guide rods integrated in the fence plates for an uninterrupted guide surface of all milling operations; the exact adjustment to tool diameter and height is achieved by a stepless adjustment, instead of standard cast iron fence plates

ART. NO.  
4169

**INTEGRAL FENCE PLATES INFEED/OUTFEED 650/650 MM**

With swivelling guide rods integrated in the fence plates for an uninterrupted guide surface of all milling operations; the exact adjustment to tool diameter and height is achieved by a stepless adjustment, instead of standard cast iron fence plates

ART. NO.  
4171

# OPTIONS + EXTENSIONS: 245|300

## ACCESSORIES MILLING FENCES



### CENTREX

ART. NO.  
2220

Milling protection and pressure device for secure fixing of workpieces during manual milling operations; the special shape of the pressure shoe ensures precise workpiece guidance during all milling operations, fixed to the milling fence, can be folded up, instead of standard milling protection and pressure device GAMMA V 1629

## ACCESSORIES MILLING SPINDLES AND ARBORS



### QUICK-CHANGE SYSTEM HSK-80

ART. NO.  
4544

With spindle lock and milling arbor 30 mm instead of milling spindle 30 mm (higher concentricity and no sticking in the spindle as with MK 5 system or steep taper); Note: other arbors on request



### AUTOMATIC HSK-63-F TOOL CHANGE SYSTEM

ART. NO.  
4661

Tool interface suitable for HSK-63-F, compatible with CNC machining centres instead of standard milling spindle, incl. 1 piece quick-change milling arbor HSK-63-F with  $\varnothing$  30 mm, clamping length = 140 mm, with milling arbor rings and cutter quick-clamping device via Allen key and rotation lock; electromechanical clamping system for convenient tool change; actuated via switch, clamping/releasing (no compressed air required). Important: Before ordering, please be sure to check the compatibility of the HSK clamping system!



### AUTOMATIC QUICK-CHANGE SYSTEM HSK-85-POWERLOCK

ART. NO.  
4662

Tool interface suitable for HSK-85-PowerLock compatible to "Weinig" instead of 30 mm standard milling spindle, incl. 1 piece quick-change milling arbor HSK-. 85-PowerLock with  $\varnothing$  30 mm; clamping length = 140 mm, with cutter arbor rings and cutter quick-change clamping device via Allen key and rotation lock; electromechanical clamping system, for convenient tool change; actuated via switch, clamping/releasing (no compressed air required). Important: Please check the compatibility of the HSK clamping system before ordering

## ACCESSORIES ROLLER TABLE AND SLOTTING DEVICE



### ROLLER TABLE

ART. NO.  
4491.1

With stop fixture, eccentric clamp, clamping table can be pushed in up to the milling spindle incl. protective bonnet 1641, suction nozzle  $\varnothing$  120 mm, with graduated height adjustment, upper position as roller table, lower position as table extension left. Important: With this option the machine must be equipped with the large table top No. 4423 and if necessary, additionally with table top extension right No. 4217



### CROSS-CUT FENCE LAS-M

ART. NO.  
4417

Right-hand version for system tools to process workpieces in pairs, effective length = 1750 mm, slide system with multiple stop and 3 adjustment rings for cross-cut positioning with splitter tongue



### EXTENSION FOR CROSS-CUT FENCE LAS-M

ART. NO.  
4418

Total length 1000 mm, effective length 1750 to 2750 mm

## ACCESSORIES ROLLER TABLE AND SLOTING DEVICE



### ZTENONING AND SLOTING DEVICE 1376

ART. NO.  
4547

Mounted on the machine table for light tenoning and slotting work, with eccentric clamp and adjustable mitre fence. Sliding length 710 mm, height above table approx. 56 mm

## ACCESSORIES POWER FEEDER



### POWER FEEDER VARIOMATIC 4 N

ART. NO.  
4638

4 rollers, infinitely variable feed speed from 2–18 m/min. Two directions of rotation, quick turning from horizontal to vertical use; easy swivelling away and positioning with memory-lock system; with comfort stand, numerical height display, extension arm 1050 mm long, incl. mounting, cable and plug



### MOVABLE CONSOLE

ART. NO.  
4663

Mounted on the left side of the machine column with joint for swivelling away the feed attachment, mandatory for roller table No. 4491.1 as well as milling fence types 204, 302, 320 and integral fence plates 650 + 650 mm

## SPECIAL ACCESSORIES



### MACHINE ACCESS CONTROL

ART. NO.  
4654

User database and Machine Access Control TM-300 with personalised RFID based keys, full version for authorised and instructed personnel, including master key for parameter settings and staff instructions and 5 user tags for machine operators

## ACCESSORIES SERVICES



### ASSEMBLY OF A FEED UNIT

ART. NO.  
4028

Delivery by the customer to us by a carriage paid delivery



### INSTRUCTION BY FACTORY TECHNICIAN

ART. NO.  
4172

Or training at the Sigmaringen factory for the machine ordered, plus travel expenses if the instruction takes place at the customer's site



### RIGID CONSOLE

ART. NO.  
4664

For mounting a feed unit approx. 195x180 mm laterally on the left side of the table top; mandatory when using routing fence 204, 302, 320 and integral fence plates 650 + 650 mm, with table top 1100x760 mm

## RECOMMENDED SPECIAL ACCESSORIES:

**SAFETY TECHNOLOGY | ON PAGE 50**

**MACHINE ACCESS CONTROL | ON PAGE 51**



### WARRANTY PLUS+12

ART. NO.  
4259

12 months extended warranty (following the legal warranty period of 12 months), not on wear parts – warranty 1 year on parts



### MAINTENANCE AND INSPECTION

ART. NO.  
4175

Annual maintenance and inspection on site according to maintenance plan, spare parts are charged separately, plus travel expenses

Future-oriented work provides for occupational safety on machines, health at work and safety for staff. The profitability of a company depends on healthy

employees who can work effectively, safely and optimally. Various accessories from SI-TEC optimise work processes and workplaces in the long term.



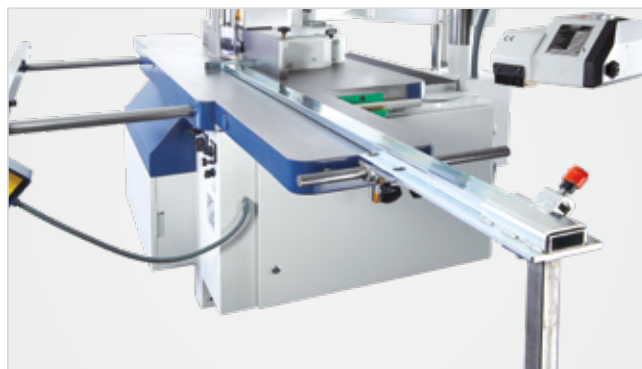
## SAFETY RULERS AND MILLING BOARD SET

1 set = 5 safety rulers consisting of:

- 3 rulers 260x3mm
- 2 rulers 260x6mm
- 1 wooden grooved milling board
- 10 turnable brass sliding blocks with screws
- 4 steel sliding blocks with screws
- 1 Allen key

1 set of safety rulers for milling fences

Art. No.: 2093



## KICKBACK GUARD 1648

For safe insertion milling of long and short parts, infinitely adjustable from 0–1500 mm, for milling machines with table top extension. Delivery includes the mechanical components for mounting on existing table top extensions.

Recommended accessories: Clamping drawer type 212, Art. No.: 3053

**Kick-back protection 1648**

Art. No.: 2002



## INTEGRAL FENCE SYSTEM 211

Attachable to an existing milling fence, the system ensures safe and dimensionally accurate work on tilting spindle moulders. The integral fence system provides an uninterrupted guide surface for all milling work on the tool. The exact adjustment to the tool diameter and height is achieved by a stepless adjustment.

**Both halves 500 mm long**

Art. No.: 4170

**Left half 500 mm long outfeed**

**Right half 650 mm long infeed**

Art. No.: 4169

**Both halves 650 mm long**

Art. No.: 4171

**1 set of adapters for mounting integral fence plates on fence 204**

Art. No.: 2128

# MACHINE ACCESS



Watch user video:  
<https://youtu.be/LAizrvfbEw>

## ELECTRONIC KEY SYSTEM FOR MACHINE ACCESS

The electronic key system is a simple and cost-effective solution for reliable and secure machine access control, which was previously realised with a key switch or password. There are 3 variants, offering the right system for every application. 5 tags (RFID keys) are supplied with each unit of the TM (1x red and 4x blue).



## TECHNICAL SPECIFICATIONS TM-100 DND TM-300

Mounting	Panel mounting or surface-mounted housing (aluminium)
Dimensions	72 x 48 x 82.5 mm (W x H x D)
Panel cut-out	67 x 46 mm (W x H)
Installation depth	75.5 mm (without connector plug)
Dimensions of surface-mounted housing	107 x 56 x 110 mm (W x H x D)

## TM-100 5 AUTHORISATION LEVELS

- TM-100 tags optionally pre-configured with authorisation level 1–5
- 1 digital output (PNP, active high) for administrator access (e.g. as a key switch alternative)
- 4 digital outputs (PNP, active high) for additional machine functions

## TM-300 UNLIMITED NUMBER OF TAGS

- Unlimited number of tags (TM-100 tags can also be taught)
- Database and network connection via Modbus/TCP
- 1 digital output (PNP, active high) for administrator access (e.g. as key switch alternative)
- 4 digital outputs (PNP, active high) for other machine functions (available as an option)
- Modbus/TCP for parameterisation and connection to the network
- Additional serial RS232 interface for error analysis
- Panel-mounted housing (optional surface-mounted housing)

## SPECIAL ACCESSORIES FOR MORE SAFETY

For a fast and safe workflow, the extensive tool database enables the storage of all types of milling cutters.

**Tool database, for 10 tools  
 20 programs per tool**  
 Art. No.: 4614

**Tool database, for 20 tools  
 Per tool 20 programs**  
 Art. No.: 4615

**Tool database, for 500 tools  
 Per tool 100 programs**  
 Art. No.: 4616

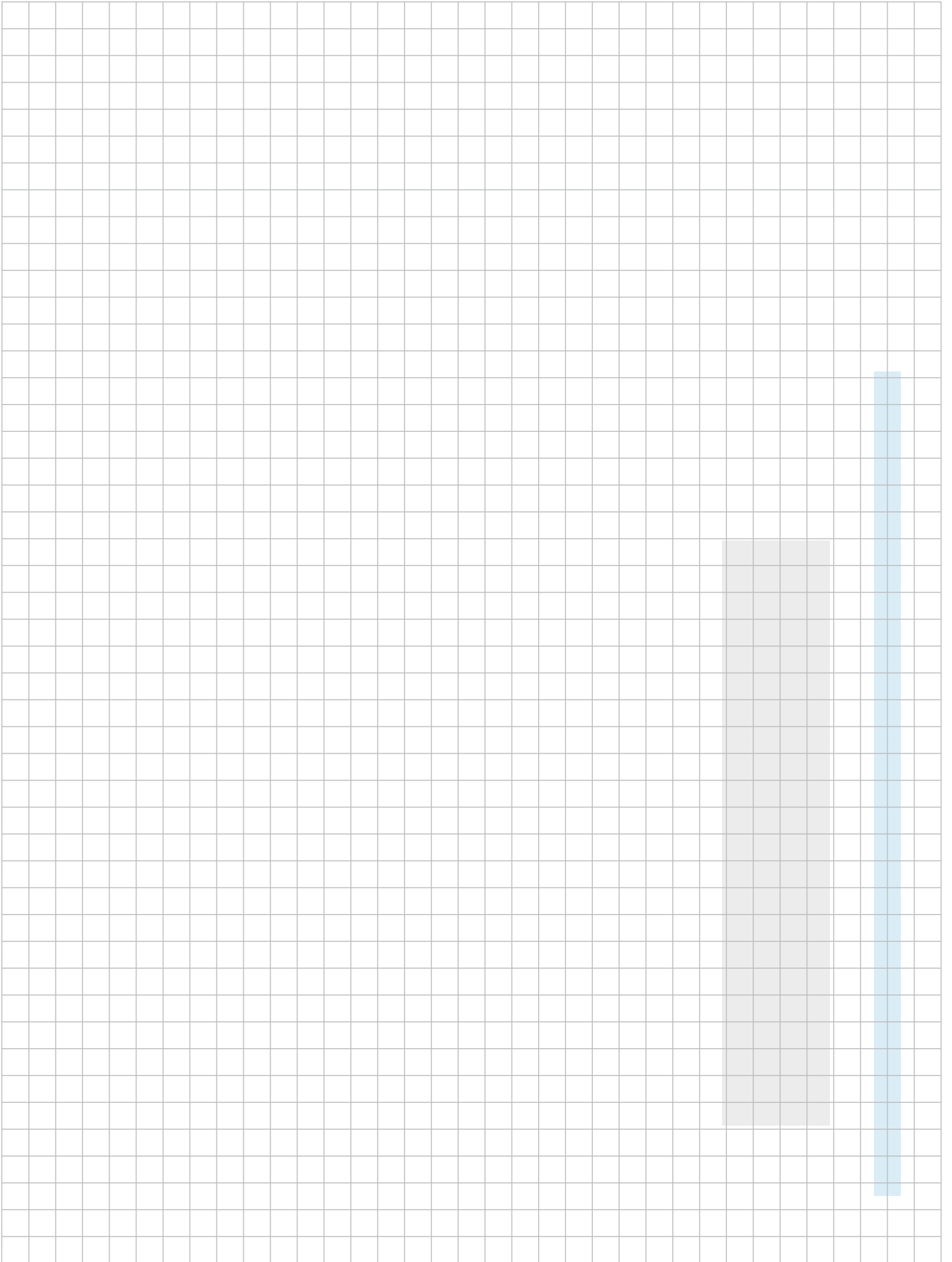
**Personalised user key  
 (blue) for user database TM-300 and TM-100, VP = 10 pieces**  
 Art. No.: 4670

**Master key  
 (red) for user database TM-300 and TM-100, 1 piece**  
 Art. No.: 4671

**External reader including software  
 For tags TM-300 and TM-100, 1 piece**  
 Art. No.: 4672

# NOTES

A large grid of graph paper for taking notes, consisting of 20 columns and 40 rows of small squares. The grid is positioned below the 'NOTES' header and is partially overlaid by a light blue decorative shape in the top-left corner.



# PRODUCT OVERVIEW

## SLIDING TABLE SAWS

680|100

NEW



680|200

NEW



690|100

690|200

NEW



V91|10



## TILTING SPINDLE MOULDERS

245|10



245|20



245|100

245|200



245|300





## PLANERS AND THICKNESSERS

334|20, 335|20

336|20



436|100



546|100



## DRILLING MACHINES

116|10



## BANDSAWS

400-900



800R-900R



3V



**SIITEC**  
SICHERHEITSTECHNIK

You can find safety technology products in our online shop:  
[www.hokubema.com](http://www.hokubema.com)

- Push stick
- Push handle
- Push block
- APA bandsaw guide
- Bandsaw table insert
- Rubber cork bandages
- Safety rulers and moulding board in set
- Magnetic planer knife quick setters
- and much more ...

# SERVICE CONCEPT

## QUALITY IN EVERY RESPECT

Deeply rooted in our company philosophy is the honest attitude towards customers and business partners, which at the same time forms the basis for a trusting cooperation. In the production of our machines, we always strive to keep the consumption of resources and energy as low as possible and thus make a meaningful contribution to environmental protection. In addition, we are constantly developing our wood processing machines to keep efficiency high and energy consumption low.

In order to guarantee the longevity of a PANHANS machine as well as customer satisfaction, we offer comprehensive service and a wide range of additional services before the purchase and after the investment. Among other things, our service philosophy includes detailed advice and, if required, a machine demonstration in our showroom. In the

showroom, you receive professional instruction, an explanation of the functions and can test all products extensively.

After the purchase, our versatile online shop and our extensive website provide a free service. Tools, accessories and consumables can be ordered easily in the online shop and our website serves as an information platform. Which maintenance and servicing work is required for which machines?

The table on [www.panhans.de](http://www.panhans.de) gives you an overview and helps to optimise the performance of your PANHANS machines.

**PANHANS woodworking machines are sustainably designed and solidly built in Germany.**



### CUSTOMER SATISFACTION

High-quality machines combined with extensive service for long-lasting reliability.



### ENVIRONMENTAL AWARENESS

Innovative machine development for high efficiency despite low energy consumption.



### ADVICE

Qualified and dedicated advice from expert staff from purchase to beyond the scope.



### SERVICES

Extensive and versatile range of services tailored to the needs of the customer.



# HOKUBEMA

Maschinenbau GmbH





Scan QR code and go directly to the  
spindle moulders



# PANHANS

QUALITÄT SEIT 1918

PANHANS IS A BRAND OF  
**HOKUBEIMA Maschinenbau GmbH**

📍 Graf-Stauffenberg-Kaserne Sigmaringen  
Binger Straße 28 | [Halle 120](#)  
72488 Sigmaringen | Germany

☎ Phone: +49 (0)7571 755-0  
Fax: +49 (0)7571 755-222

✉ [info@hokubema-panhans.de](mailto:info@hokubema-panhans.de)

🌐 [www.panhans.de](http://www.panhans.de)

🛒 [www.hokubema.com](http://www.hokubema.com)



MADE IN GERMANY

**HOKUBEIMA**

**PANHANS**  
QUALITÄT SEIT 1918

**SIITEC**  
SICHERHEITSTECHNIK

