



Instructions for: 23" Goaliath Mini Hoop

We strive to ensure that our products are of the highest quality and free of manufacturing defects or missing parts. However, if you have any problems with your new product,

DO NOT RETURN IT TO THE STORE,

please contact us toll free @:

1-888-996-2729

FAX: 1-866-873-3531

arcadegames@escaladesports.com

Or write to:

Escalade Sports
Customer Service Department
P.O. Box 889
Evansville IN 47706

Please visit our Web site at:

www.escaladesports.com

Please have your model number when inquiring about parts.

When contacting Escalade Sports please provide your model number, date code (if applicable) and part number if requesting a replacement part. These numbers are located on the product, packaging, and this owners manual.

Model Number: G02502W

Date Code: CPSIA#2-G02502W- -SM

Purchase Date: _____

90 DAY LIMITED WARRANTY

This consumer warranty extends to the original consumer purchase of any ESCALADESPORTS Product (hereinafter referred as the "Product").

WARRANTY DURATION: This Product is warranted to the original consumer purchase of a period of 90 days from the original purchase.

WARRANTY COVERAGE: ESCALADE SPORTS warrants to the original Consumer Purchaser that any Product of its manufacture is free from defects in material and workmanship when used for the intended purpose under normal use and conditions. THIS WARRANTY IS VOID IF THE PRODUCT HAS BEEN DAMAGED BY ACCIDENT, UNREASONABLE USE, NEGLIGENCE, IMPROPER SERVICE, FAILURE TO FOLLOW WORKMANSHIP INSTRUCTIONS PROVIDED WITH THE PRODUCT OR OTHER CAUSES NOT ARISING OUT OF DEFECTS IN MATERIAL AND WORKMANSHIP.

WARRANTY PERFORMANCE: During the above 90 day warranty period, ESCALADESPORTS shall repair or replace with a comparable model, and Product, or component thereof, which may prove defective under normal use and proper care, and which our examination shall disclose to our satisfaction to be thus defective, please contact our Warranty Dept.

1-888-996-2729 / Warranty Dept.

Or Write us at:

Escalade® Sports, Inc. - P.O. Box 889, Evansville, IN 47706

Attn: Warranty Dept.

Or E-mail us at:

customerservice@escaladesports.com

Other than shipping requirements no charge will be made for such repair or replacement of in-warranty Products. ESCALADE SPORTS strongly recommends that the Product is insured for value prior to mailing.

WARRANTY DISCLAIMERS: ANY IMPLIED WARRANTIES ARISING OUT OF THIS SALE, INCLUDING BUT NOT LIMITED TO THE IMPLIED WARRANTIES OF MERCHANTABILITY AND FITNESS FOR A PARTICULAR PURPOSE, ARE LIMITED IN DURATION TO THE ABOVE 90 DAY PERIOD. ESCALADE SPORTS SHALL NOT BE LIABLE FOR LOSS OF USE OF THE PRODUCT OR OTHER CONSEQUENTIAL OR INCIDENTAL COSTS, EXPENSES OR DAMAGES INCURRED BY THE CONSUMER OF ANY OTHER USE.

Some states do not allow the exclusion or limitation of implied warranties or consequential or incidental damages, so the above limitations or exclusions may not apply to you.

LEGAL REMEDIES: This warranty gives you specific legal rights and you may also have other rights which may vary from state to state.

IMPORTANT! READ EACH STEP IN THIS MANUAL BEFORE YOU BEGIN THE ASSEMBLY.



Assembly Tips

Make sure you understand the following tips before you begin to assemble your mini hoop:

1. Start all bolts by hand before tightening.
2. Some drawings or images in this manual may not look exactly like your product. Please read and understand the text before starting each assembly step.

WARNING:

READ AND FOLLOW ALL ASSEMBLY, OPERATION, AND SAFETY INSTRUCTIONS CAREFULLY.

CAUTION:

- THIS PRODUCT IS NOT DESIGNED TO SUPPORT A PLAYER HANGING FROM THE RIM OR ANY OTHER COMPONENT.
- WEAR MOUTH GUARD WHEN PLAYING TO AVOID DENTAL INJURIES.
- USE ONLY BALL PROVIDED - OTHER BALLS CAN DAMAGE PRODUCT AND RISK INJURY TO PLAYER.

CARE AND USE OF YOUR MINI HOOP

1. This product is intended for **INDOOR** use only.
2. Wash Backboard gently with a 100% Cotton Soft Cloth. The soft cloth can be dampened with lukewarm water (no excess water in cloth) . A very mild soap can be used . **DO NOT SCRUB BACKBOARD !**
Gently clean Backboard . Rinse cloth with Luke warm water and gently wipe backboard clean – Dry Backboard with a 100% soft cotton cloth . To minimize scratches and minor abrasions to your backboard , apply a mild polish such as NOVUS PLASTIC POLISH #1 or MIRROR GLAZE PLASTIC POLISH. Strong cleaners and waxes with cleaner will damage the backboard and void the warranty .

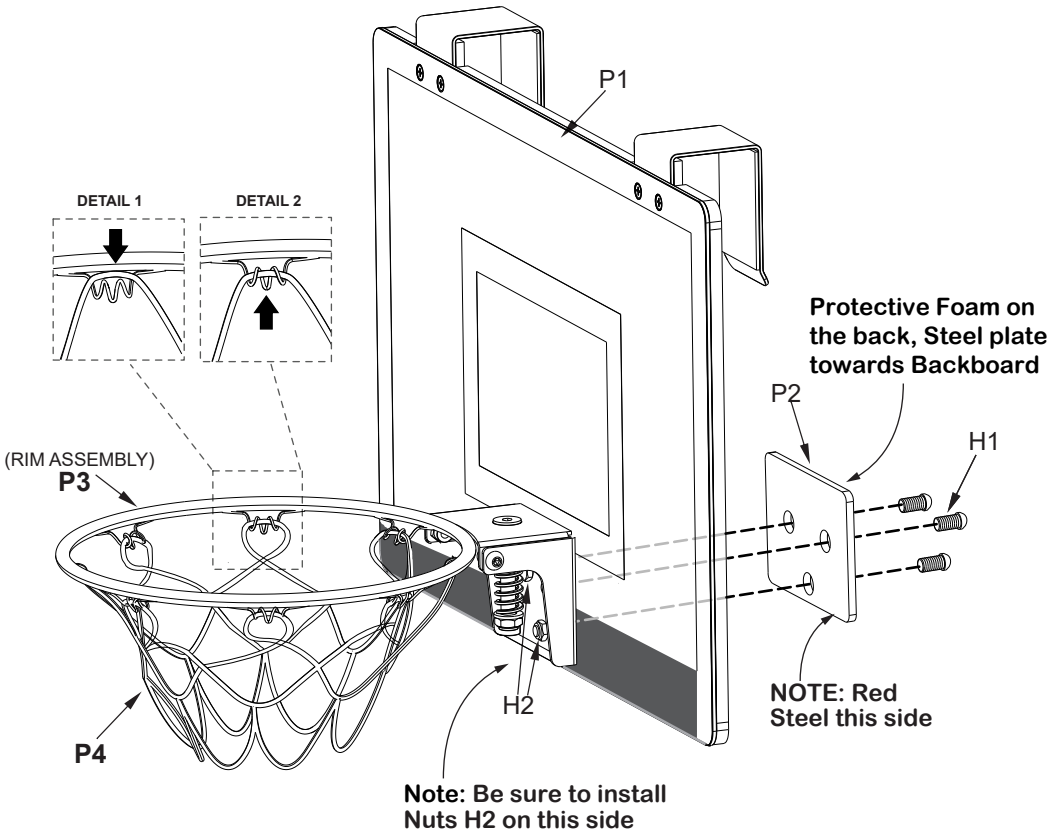
NOTE: Peel protective covering from backboard before assembly. Be careful not to scratch backboard.

STEP 1

Insert the three Bolts **H1** through Back plate **P2**, Backboard **P1**, Rim Assembly **P3** and the three Nuts **H2**. Tighten with **T1** Wrench until Rim is secure but **DO NOT** over tighten.

STEP 2

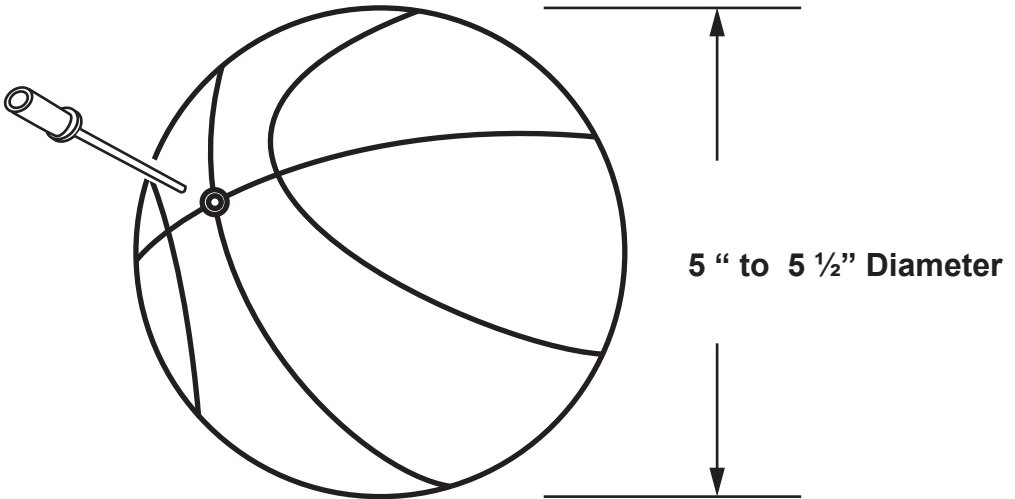
Attach Net **P4** to Rim Assembly **P3**. Loop net over Rams Horns and tuck under as shown in **Detail 1** and **Detail 2**. **NOTE: Net does have a top and bottom, The loops go to the top.**



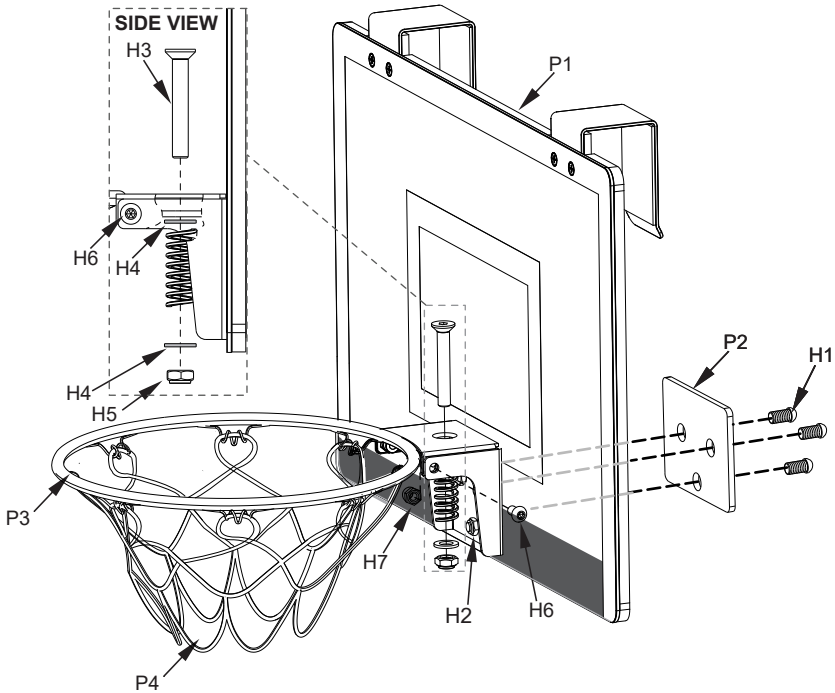
NOTE: After continued play, if Rim sags, slight tightening of the H5 Breakaway Rim Lock Nut may be required. Do not overtighten Nut as this would DEFEAT the breakaway function of the rim.

To Safely inflate the Basketball

1. Moisten Needle
2. Insert needle straight into the air inflate valve on the basketball.
3. Inflate Basketball to 5" to 5 1/2" diameter . Remove needle quickly.
4. Do not "OVER INFLATE" basketball past 5 1/2" diameter .



DO NOT OVER INFLATE .



G02502W - 23'' Goliath Mini Hoop

| Key # | Part # | Description | Qty. |
|-------|-----------|---|------|
| H1 | 02502SMH1 | Rim Mounting Bolt | 3 |
| H2 | 02502SMH2 | Rim Mounting Lock Nut | 3 |
| H3 | 02502SMH3 | Breakaway Rim Bolt (Pre-installed) | 1 |
| H4 | 02502SMH4 | Breakaway Rim Washer (Pre-installed) | 2 |
| H5 | 02502SMH5 | Breakaway Rim Lock Nut (Pre-installed) | 1 |
| H6 | 02502SMH6 | Breakaway Rim Spring (Pre-installed) | 1 |
| H7 | 02502SMH7 | Side Rim Bolt (Pre-installed) | 2 |
| H8 | 02502SMH8 | Side Rim Lock Nut (Pre-installed) | 2 |
| T1 | 02502SMT1 | Wrench | 1 |
| P1 | 02502SMP1 | Mini Hoop Backboard Assembly | 1 |
| P2 | 02502SMP2 | Rim Mounting Back Plate | 1 |
| P3 | 02502SMP3 | 8 loop Mini Hoop Rim Assembly (Fully Assembled) | 1 |
| P4 | 02502SMP4 | 8 loop Net | 1 |
| P5 | 02502SMP5 | Mounting Bracket (Pre-installed) | 2 |
| A1 | 02502SMA1 | Mini Hoop Ball | 1 |
| K1 | 02502SMK1 | Hardware Kit | 1 |
| M1 | 02502SMM1 | Owner's Manual | 1 |