

Item# 45-6071SU



48" Soccer Table



Please keep this instruction manual for future reference


If you have any problems with your new product, please visit our website www.triumphsportsusa.com for the fastest expedited service possible for your replacement part ordering needs. Please have a copy of your receipt of purchase. For any technical support or warranty issues, please contact Triumph Sports USA at 1-866-815-4173 or email us at csr@triumphsportsusa.com

Limited 90-Day Triumph Sports USA, Inc. Warranty


All Triumph Sports USA, Inc. (TSU) games have a limited 90-day from date of purchase warranty. This warrants the retail purchaser for any TSU game purchased to be free from any defect in materials and construction for 90 days from the date of purchase. The only exceptions to the warranty include main frames, tabletops, playing surfaces, batteries or tools. Damaged main frames, tabletops, playing surfaces need to be returned to the store as we are unable to replace these parts. Normal play wear and usage is not covered under the warranty, nor is wear or damage due to improper use of the TSU game. This will void any and all TSU warranties.

A PURCHASE RECEIPT (or other proof of purchase date) will be required before any warranty service is initiated. All requests for warranty service can be submitted by email, in writing or by contacting our Customer Service Department at: 1-866-815-4173 or email us at csr@triumphsportsusa.com.

Warnings

 **WARNING:** Choking Hazard--Product contains small balls and/or small parts. Not for children under 3 years of age.

 **WARNING:** Adult Assembly Required.

 **WARNING:** This is not a child's toy. Adult supervision is required for children playing this game. Please read instructions carefully. Proper use of this set can prevent damage or injury.

Be sure to check out all the exciting games  has to offer.

Visit our web site at:

www.triumphsportsusa.com



BILLIARDS



DARTS



GAME TABLES



CASINO



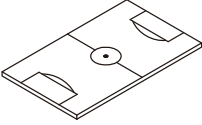
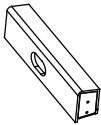
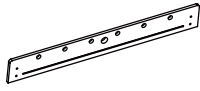
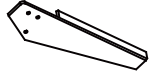

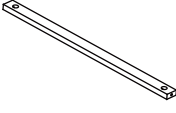
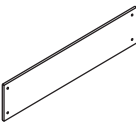

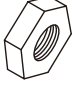


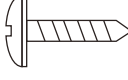
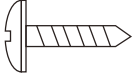




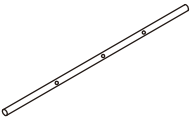
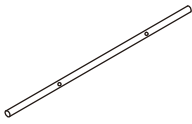
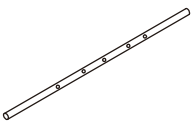



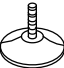
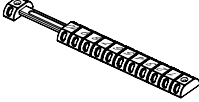

OUTDOOR GAMES



DARTBOARDS

Triumph Sports USA
11327 W Lincoln Ave.
West Allis, WI 53227
www.triumphsportsusa.com
©2014 Triumph Sports USA. All Rights Reserved.

Parts List

1  Soccer Playfield 1 pc	2  Soccer End Apron 2 pcs	3  Soccer Side Apron 2 pcs	4  Left Leg 2 pcs
5  Right Leg 2 pcs	6  Support Brace 2 pcs	7  End Leg Brace 2 pcs	8  M4 x 20mm Round Head Screw - 26 pcs
9  M4mm Nut 26 pcs	10  M6 x 35mm Bolt 12 pcs	11  M6 Washer 12 pcs	12  3.5 X 12mm Washer Head Screw - 8 pcs
13  3.5 X 35mm Washer Head Screw - 4 pcs	14  Allen Key 1 pc	15  Soccer Ball 2 pcs	16  Handle 8 pcs
17  Rod End Cap 8 pcs	18  3 - Player Rod 4 pcs	19  2 - Player Rod 2 pcs	20  5 - Player Rod 2 pcs
21  Player - Black 13 pcs	22  Player - Ivory 13 pcs	23  Bumper 16 pcs	24  Leg Leveler 4 pcs
25  Slide Scorer 2 pcs	26  3.5 X 28mm FA Screw 4 pcs		

Assembly Tips:

Attention: If you are using an electric screwdriver in the assembly, please set at low torque and do not over tighten the hardware. When assembling individual parts, loosely tighten screws until all screws are inserted, then tighten completely

Assembly Instructions

NOTE: We recommend that two adults work together to assemble this game.

Step.1

Find a clean, level place to begin the assembly of your Soccer Table. The table will be assembled upside down and then turned over on its legs once the assembly is completed

Step.2

Remove all the parts from the box and verify that you have all of the parts as shown on the parts list above. Carefully cut or tear the four corners of the box so that the bottom of the box can be used as your work surface.

Step.3

Attach the Left Leg (#4) and Right Leg (#5) to the Side Apron (#3) and End Aprons (#2) using three Bolts (#10) and three Washer (#11) per Leg, and then slide the Playfield (#1) with the graphic facing down into the grooves of the End Aprons (#2) and Side Apron (#3). **Note:** Do not tighten the Bolts at this time

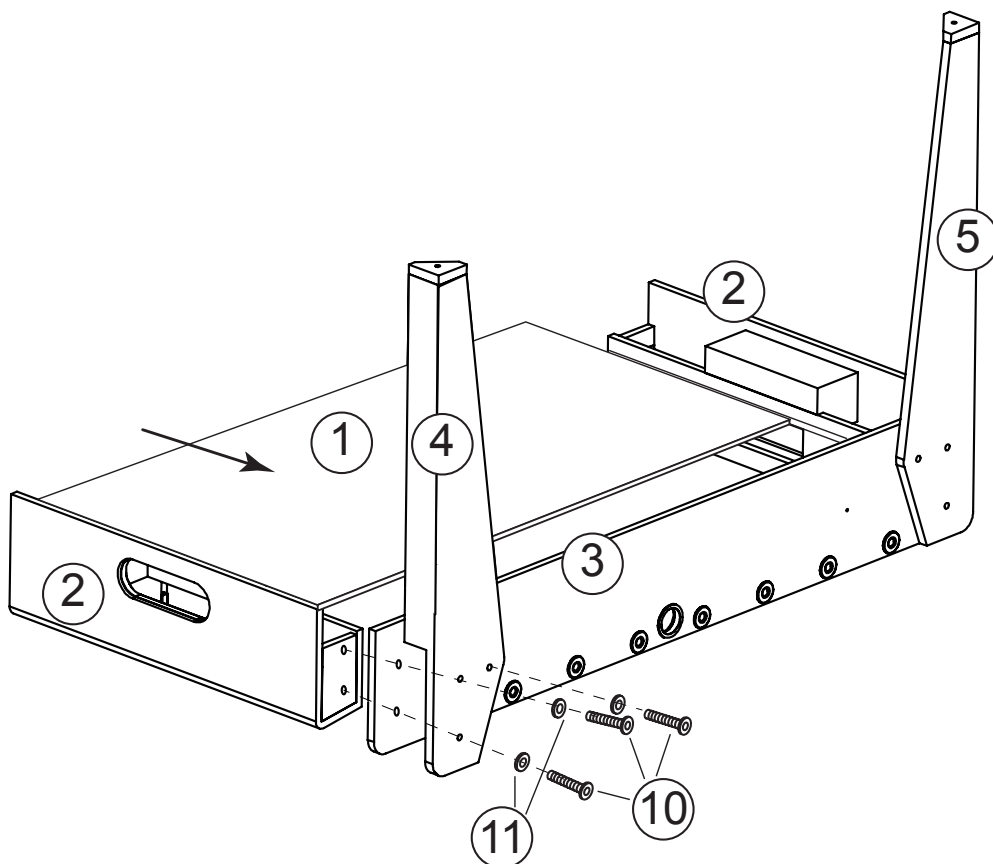


FIG.1

Step.4 .

Now attach the other Left Leg (#4), Right Leg (#5) and Side Apron (#3) to the End Aprons (#2) using three Bolts (#10) and three Washer (#11) per Leg, Attach the End Leg Braces (#7) to the Left and Right Legs (#4 and #5) using two Screws (#12) per Leg

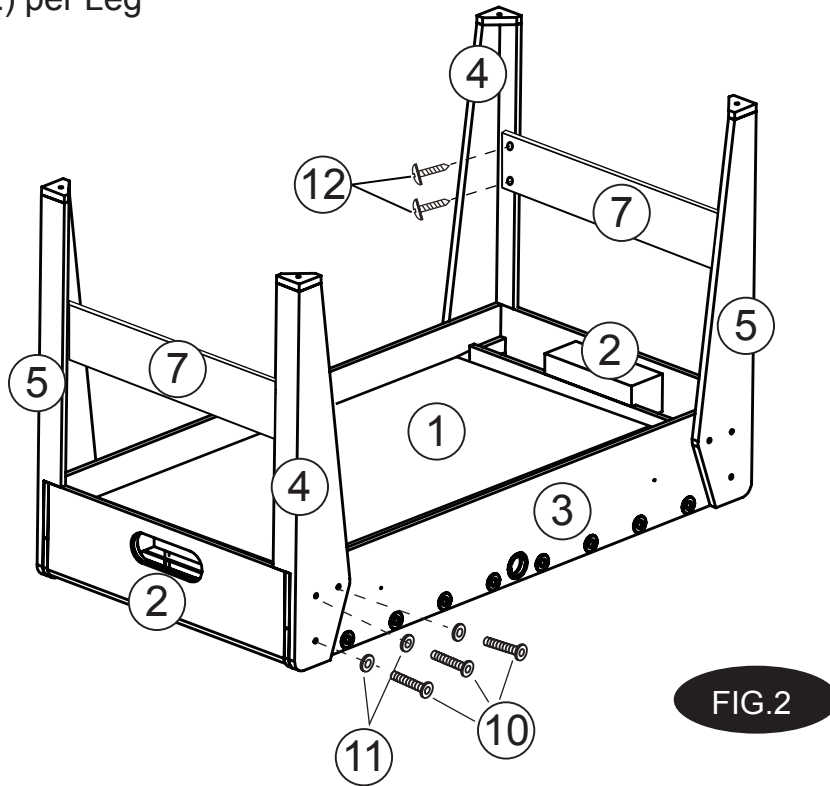


FIG.2

Step.5 .

Attach the two Support Braces (#6) to the Side Aprons (#1) using two Screws (#13) per Support Brace (#6).
Screw one Leg Leveler (#24) into the bottom of each leg.

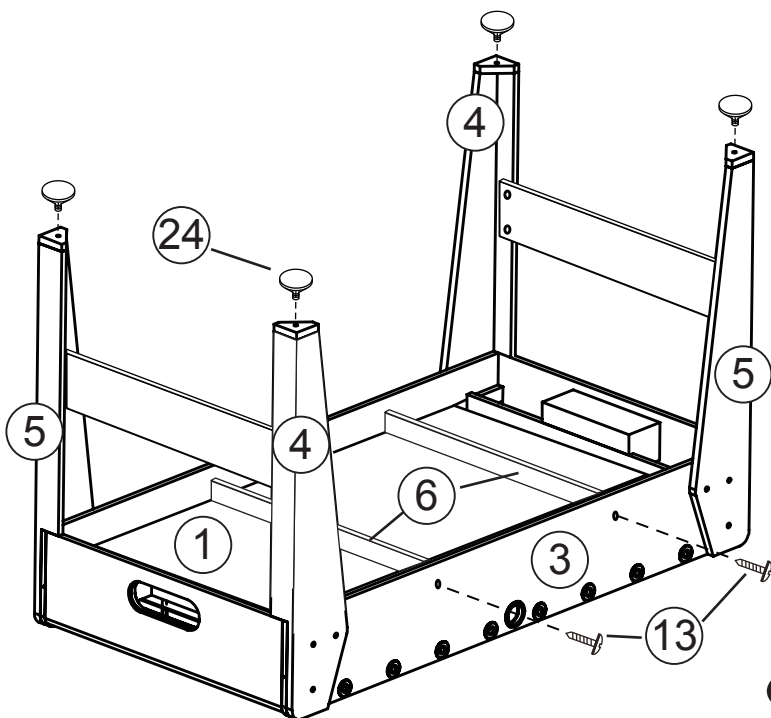
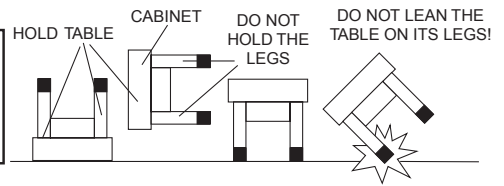


FIG.3

Step.6 .Lift the table assembly from the floor with at least two strong adults, turn it over,and set the table assembly on its legs in the location where you play.

CAUTION:Two strong adults are recommended to turn the table over as shown.
 1. Lift the table off the ground.
 2. Turn the table over, using caution to clear the legs as you turn.
 3. Place the table on all four legs at the same time.



Step.7 .

Slide the Player Rods (#18-20) through the bushings of one Side Apron in the order shown below. **NOTE:** The Player Rods have a hole on the end where the Rod Grips will go. (The goalie should be at your left and your team facing to the right.).

Player Rod Assembly:

- Place one Bumper (#23) on the rod.
 - Place the Players (#21, #22) on the rod as shown in Fig.4A
 - Place a second Bumper (#23) on the rod. Then slide the player rod through the bushing of the other side apron.
- Attach the Players (#21 and 22) to the rod using one Screw (#8) and one Nut (#9) per Player as shown in Fig.4B.

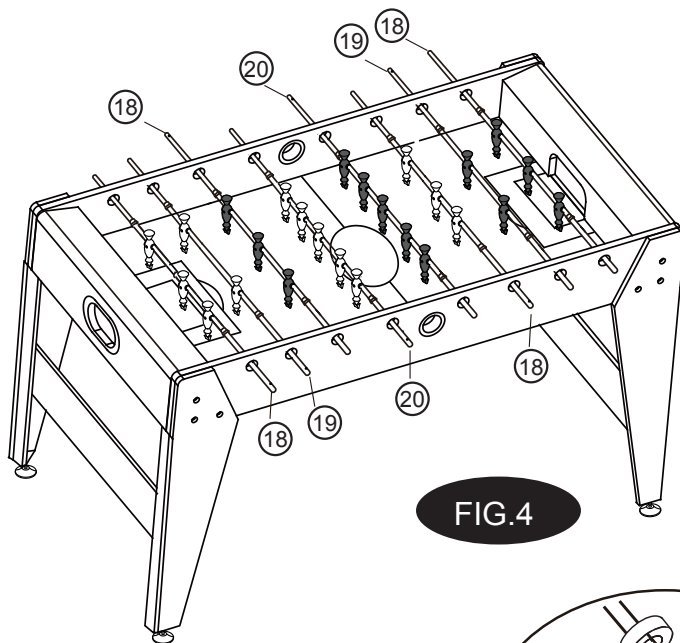


FIG.4

**ORDER OF PLAYERS
(Overhead View)**

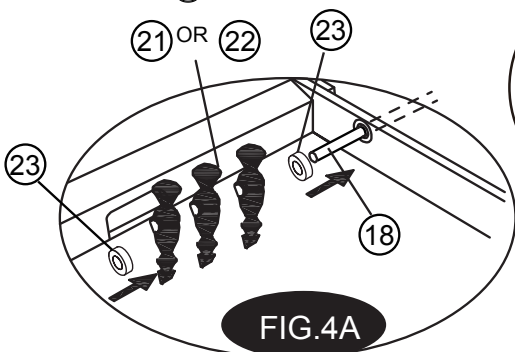
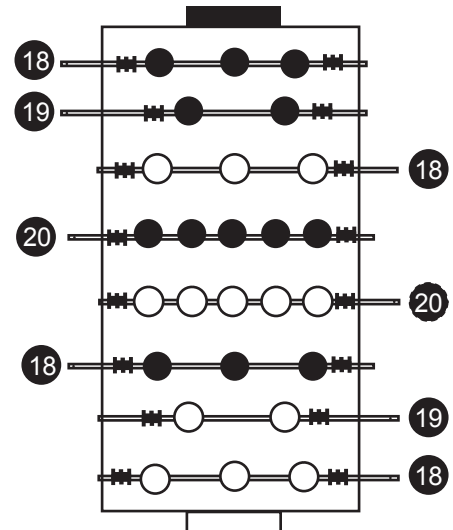


FIG.4A

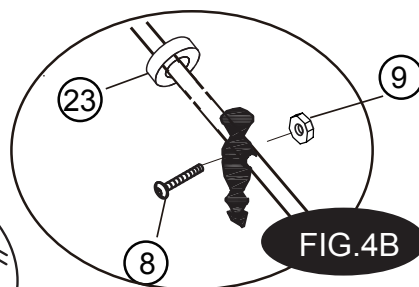


FIG.4B

- = BLACK (21)
- = IVORY (22)
- = BUMPER (23)

Step.8 .

Insert the Handles (#16) onto the end of the rods with the Hole.

Slide the Rod End Cap (#17) onto the opposite end of the Rods.

Attach the Slide Scorers (#25) to the end top board using Screws (#26).

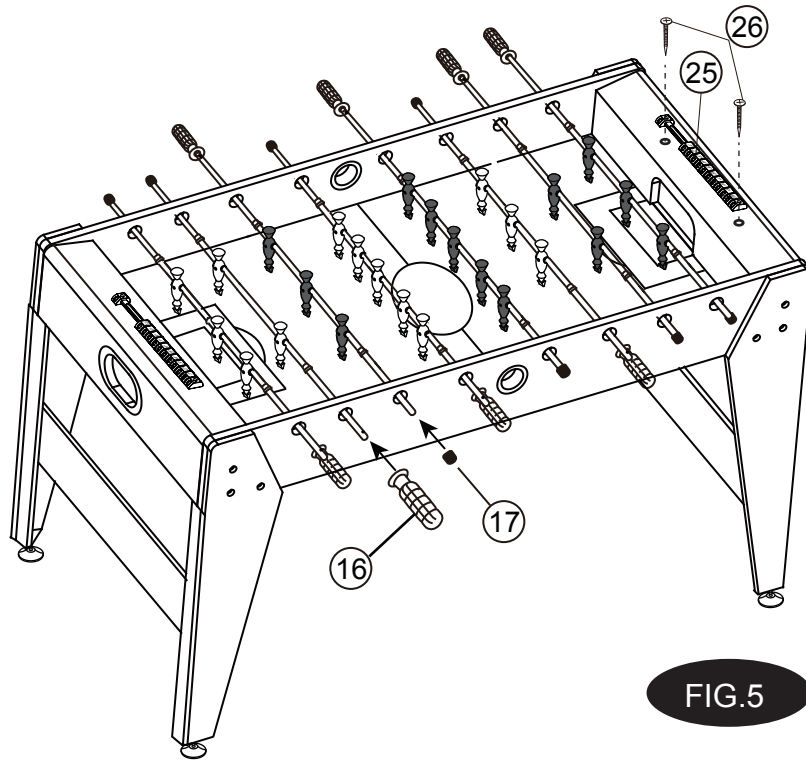


FIG.5

YOU ARE NOW READY TO PLAY.